



Dealers Industrial Equipment

No.:

Date: 12-SEP-2016

Customer :

TECHNICAL PROPOSAL

Single-phase induction motor - Squirrel cage rotor

Product line : Single-Phase : W21 TEFC (IP55)

Catalog Number : 00336ES1E182T

List Price : \$879

Notes:

Downloaded from <http://dealerselectric.com>

Generated for Model #00336ES1E182T

Performed by:

Checked:



Dealers Industrial Equipment

No.:

Date: 12-SEP-2016

DATA SHEET Single-phase induction motor - Squirrel cage rotor

Customer :
Product line : Single-Phase : W21 TEFC (IP55)

Frame : 182T
Output : 3 HP
Frequency : 60 Hz
Poles : 2
Full load speed : 3520 rpm
Slip : 2.22 %
Voltage : 208-230/460 V
Rated current : 14.5-13.6/6.80 A
Locked rotor current : 102/51.0 A
Locked rotor current (I_L/I_n) : 7.5
No-load current : 5.00/2.50 A
Full load torque : 4.42 lb.ft
Locked rotor torque : 240 %
Breakdown torque : 280 %
Design : ---
Insulation class : F
Temperature rise : 80 K
Locked rotor time : 6 s (hot)
Service factor : 1.15
Duty cycle : S1
Ambient temperature : -20°C - +40°C
Altitude : 1000 m
Degree of Protection : IP55
Approximate weight : 90 lb
Moment of inertia : 0.15638 sq.ft.lb
Noise level : ---

	D.E.	N.D.E.	Load	Power factor	Efficiency (%)
Bearings	6307 ZZ	6206 ZZ	100%	0.92	80.0
Regreasing interval	---	---	75%	0.90	78.0
Grease amount	---	---	50%	0.83	72.0

Notes:
Downloaded from <http://dealerselectric.com>
Generated for Model #00336ES1E182T

Performed by

Checked



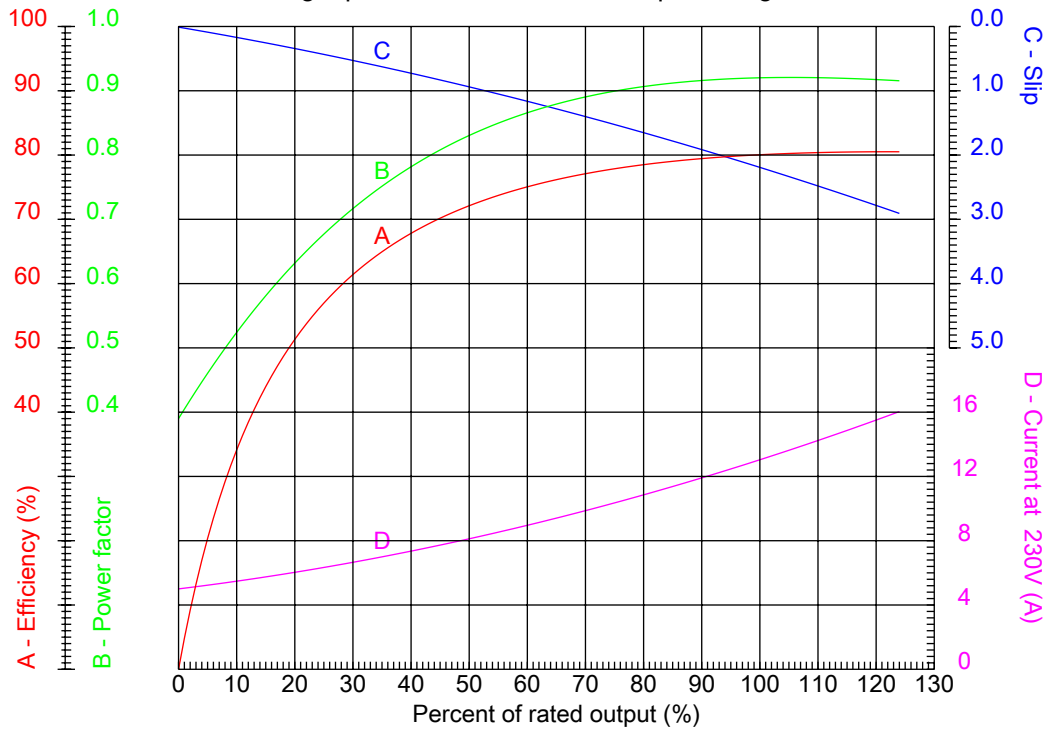
Dealers Industrial Equipment

No.:

Date: 12-SEP-2016

PERFORMANCE CURVES RELATED TO RATED OUTPUT

Single-phase induction motor - Squirrel cage rotor



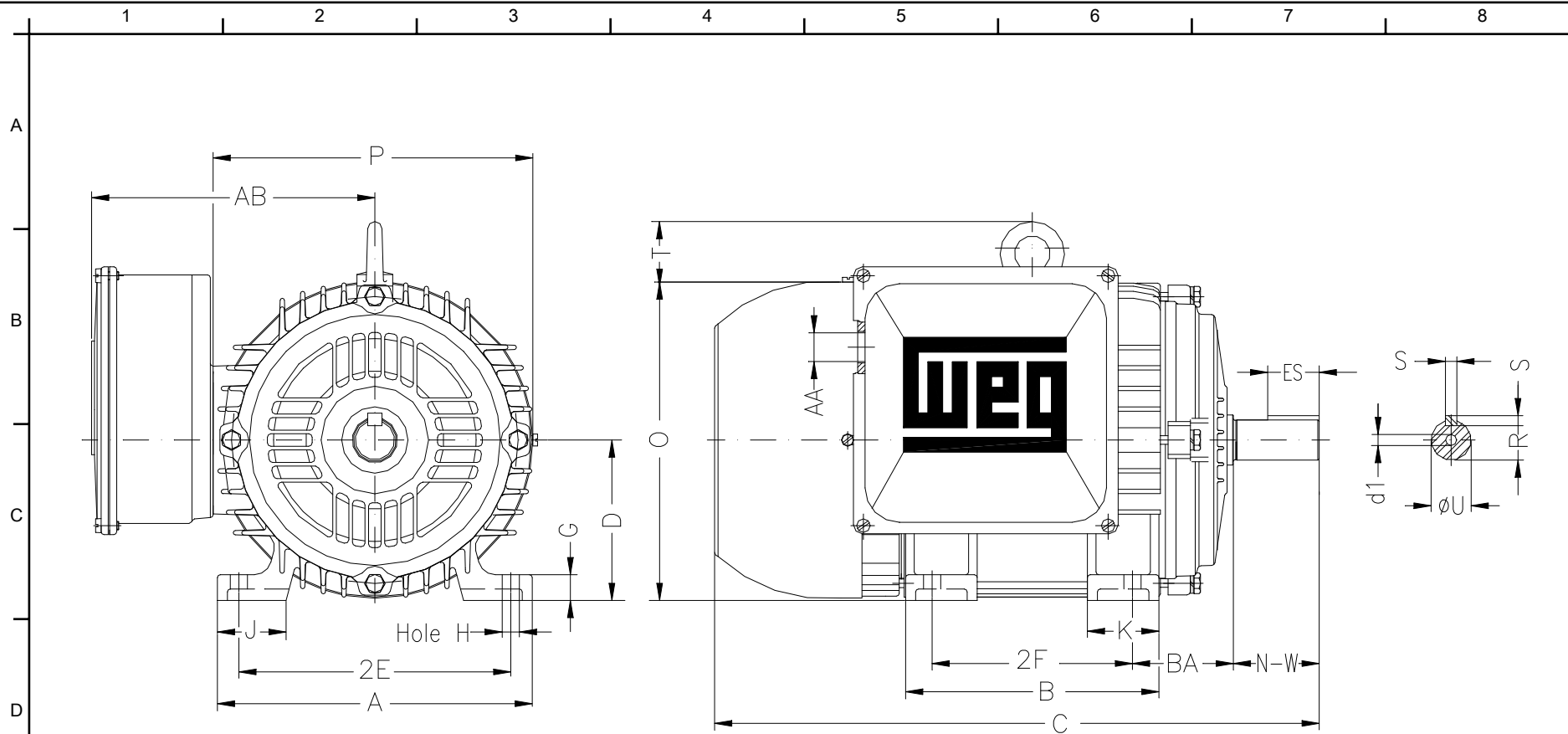
Customer :
Product line : Single-Phase : W21 TEFC (IP55)

Frame	: 182T	Locked rotor current (I _l /I _n)	: 7.5
Output	: 3 HP	Duty cycle	: S1
Frequency	: 60 Hz	Service factor	: 1.15
Full load speed	: 3520 rpm	Design	: ---
Voltage	: 208-230/460 V	Locked rotor torque	: 240 %
Rated current	: 14.5-13.6/6.80 A	Breakdown torque	: 280 %
Insulation class	: F		

Notes:
Downloaded from <http://dealerselectric.com>
Generated for Model #00336ES1E182T

Performed by

Checked



Notes: Downloaded from <http://dealerselectric.com>
 Generated for Model #00336ES1E182T

Performed by:

Checked:

Customer:

Single-Phase : W21 TEFC (IP55)

Single-phase induction motor
 Frame 182T - IP55

12-SEP-2016

2E	2F	H	BA	A
7.500	4.500	0.406	2.750	8.661
B	C	D	G	J
5.945	0.630	4.500	0.799	1.890
K	O	P	ES	S
1.969	9.343	8.740	1.969	0.250
N-W	U	R	AB	AA
2.750	1.125	0.984	7.835	NPT 1"
d1				
A 4				

