



Dealers Industrial Equipment

No.:

Date: 12-SEP-2016

Customer :

TECHNICAL PROPOSAL

## Single-phase induction motor - Squirrel cage rotor

Product line : Single-Phase : W21 TEFC (IP55)

Catalog Number : 00336ES1E145T

List Price : \$829

Notes:

Downloaded from <http://dealerselectric.com>

Generated for Model #00336ES1E145T

Performed by:

Checked:



# Dealers Industrial Equipment

No.:

Date: 12-SEP-2016

## DATA SHEET Single-phase induction motor - Squirrel cage rotor

Customer :  
Product line : Single-Phase : W21 TEFC (IP55)

Frame : G145T  
Output : 3 HP  
Frequency : 60 Hz  
Poles : 2  
Full load speed : 3500 rpm  
Slip : 2.78 %  
Voltage : 208-230/460 V  
Rated current : 13.4/6.70 A  
Locked rotor current : 93.8/46.9 A  
Locked rotor current (I<sub>L</sub>/I<sub>n</sub>) : 7.0  
No-load current : 4.80/2.40 A  
Full load torque : 4.44 lb.ft  
Locked rotor torque : 230 %  
Breakdown torque : 250 %  
Design : ---  
Insulation class : F  
Temperature rise : 80 K  
Locked rotor time : 6 s (hot)  
Service factor : 1.15  
Duty cycle : S1  
Ambient temperature : -20°C - +40°C  
Altitude : 1000 m  
Degree of Protection : IP55  
Approximate weight : 60 lb  
Moment of inertia : 0.08068 sq.ft.lb  
Noise level : 60 dB(A)

	D.E.	N.D.E.
Bearings	6205 ZZ	6203 ZZ
Regreasing interval	---	---
Grease amount	---	---

Load	Power factor	Efficiency (%)
100%	0.90	79.5
75%	0.86	79.0
50%	0.81	75.0

Notes:  
Downloaded from <http://dealerselectric.com>  
Generated for Model #00336ES1E145T

Performed by

Checked



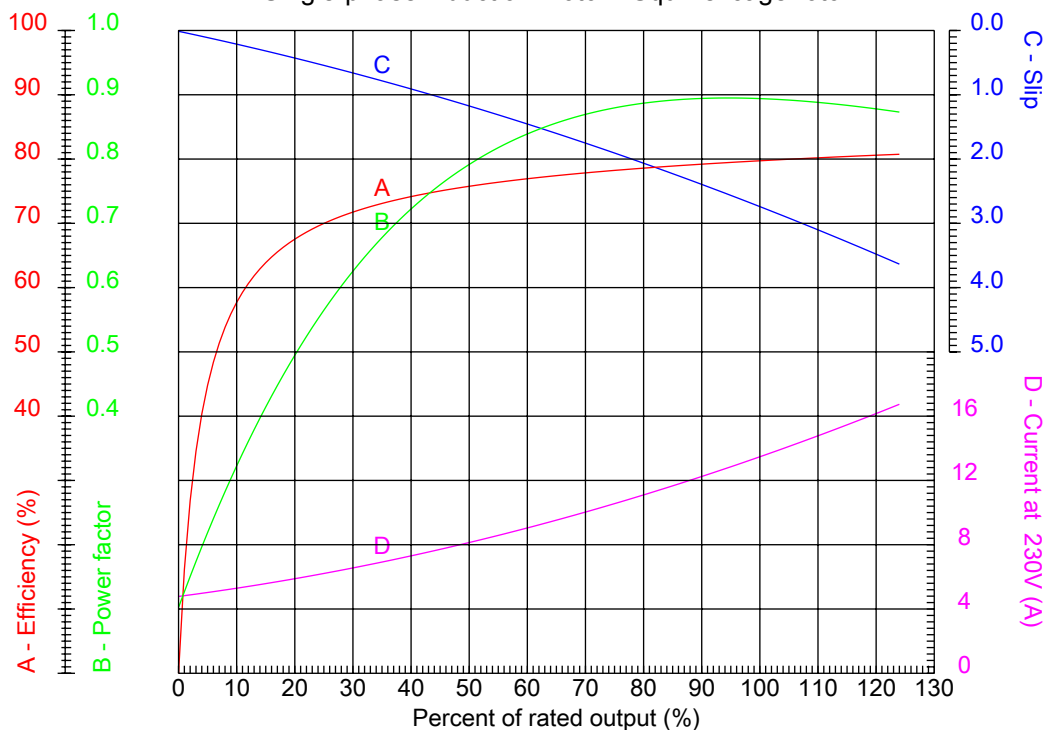
# Dealers Industrial Equipment

No.:

Date: 12-SEP-2016

## PERFORMANCE CURVES RELATED TO RATED OUTPUT

Single-phase induction motor - Squirrel cage rotor



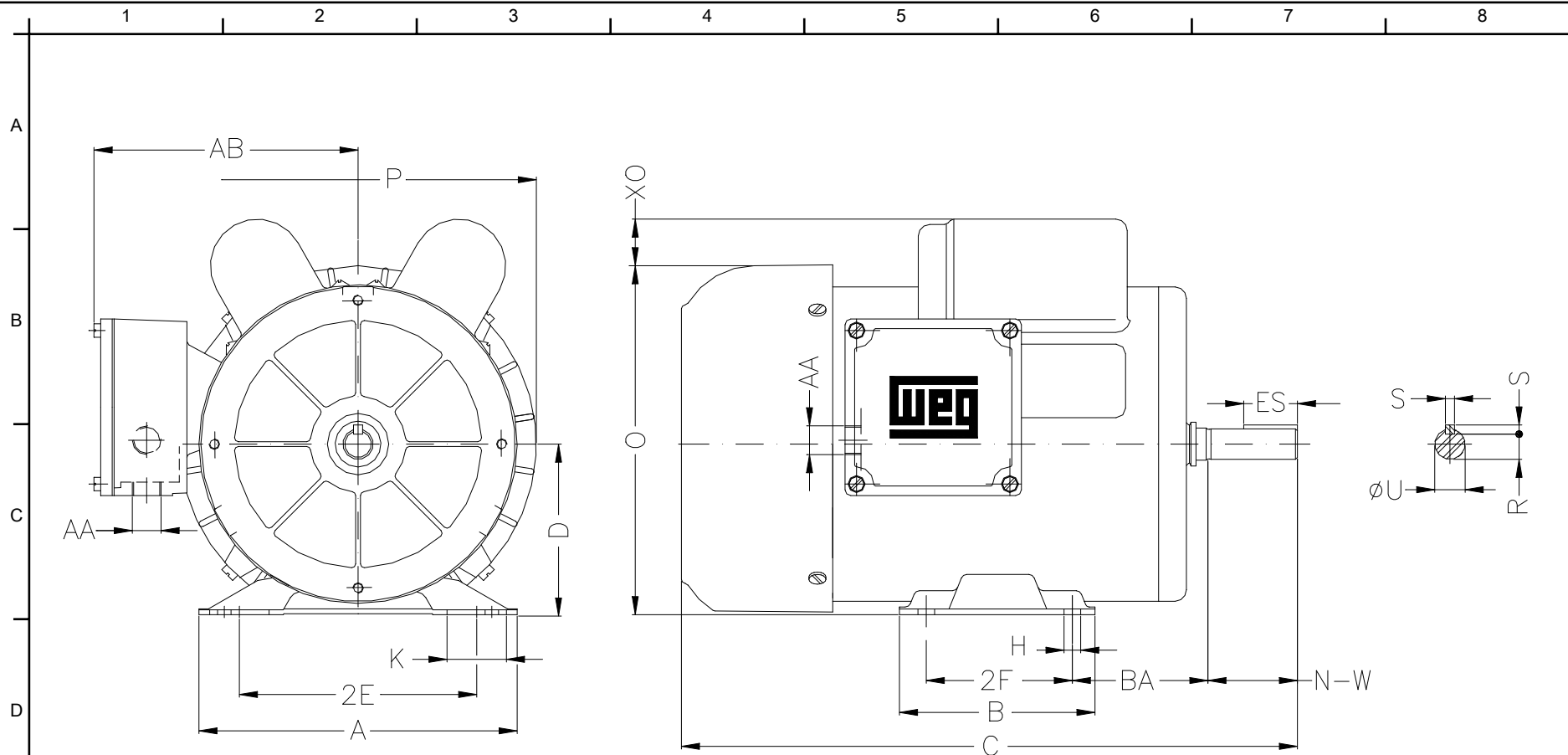
Customer :  
Product line : Single-Phase : W21 TEFC (IP55)

Frame	: G145T	Locked rotor current (I <sub>l</sub> /I <sub>n</sub> )	: 7.0
Output	: 3 HP	Duty cycle	: S1
Frequency	: 60 Hz	Service factor	: 1.15
Full load speed	: 3500 rpm	Design	: ---
Voltage	: 208-230/460 V	Locked rotor torque	: 230 %
Rated current	: 13.4/6.70 A	Breakdown torque	: 250 %
Insulation class	: F		

Notes:  
Downloaded from <http://dealerselectric.com>  
Generated for Model #00336ES1E145T

Performed by

Checked



Notes: Downloaded from <http://dealerselectric.com>  
 Generated for Model #00336ES1E145T

Performed by:

Checked:

Customer:

Single-Phase : W21 TEFC (IP55)

2E 5.500	2F 4.016	H 0.343	BA 2.250	A 6.535
B 6.496	C 14.882	D 3.500	O 7.165	P 7.323
ES 1.417	S 0.187	N-W 2.250	U 0.875	R 0.766
AB 5.433	AA NPT 3/4	d1 A3.15		

Single-phase induction motor  
 Frame G145T - IP55

12-SEP-2016

