



Dealers Industrial Equipment

No.:

Date: 12-SEP-2016

Customer :

TECHNICAL PROPOSAL

Single-phase induction motor - Squirrel cage rotor

Product line : Jet Pump - NEMA 56 : Single-Phase - Threaded - TEFC (IP55)

Catalog Number : 00336ES1DJP56J

List Price : \$557

Notes:

Downloaded from <http://dealerselectric.com>

Generated for Model #00336ES1DJP56J

Performed by:

Checked:



Dealers Industrial Equipment

No.:

Date: 12-SEP-2016

DATA SHEET Single-phase induction motor - Squirrel cage rotor

Customer :
 Product line : Jet Pump - NEMA 56 : Single-Phase - Threaded - TEFC (IP55)

Frame : G56H
 Output : 3 HP
 Frequency : 60 Hz
 Poles : 2
 Full load speed : 3480 rpm
 Slip : 3.33 %
 Voltage : 230 V
 Rated current : 13.0 A
 Locked rotor current : 101 A
 Locked rotor current (I_L/I_n) : 7.8
 No-load current : 4.50 A
 Full load torque : 4.47 lb.ft
 Locked rotor torque : 250 %
 Breakdown torque : 250 %
 Design : ---
 Insulation class : F
 Temperature rise : 105 K
 Locked rotor time : 6 s (hot)
 Service factor : 1.15
 Duty cycle : S1
 Ambient temperature : -20°C - +40°C
 Altitude : 1000 m
 Degree of Protection : IP55
 Approximate weight : 53 lb
 Moment of inertia : 0.09492 sq.ft.lb
 Noise level : ---

	D.E.	N.D.E.
Bearings	6204 2RS	6203 2RS
Regreasing interval	---	---
Grease amount	---	---

Load	Power factor	Efficiency (%)
100%	0.93	80.0
75%	0.90	79.0
50%	0.82	75.0

Notes:
 Downloaded from <http://dealerselectric.com>
 Generated for Model #00336ES1DJP56J

Performed by

Checked



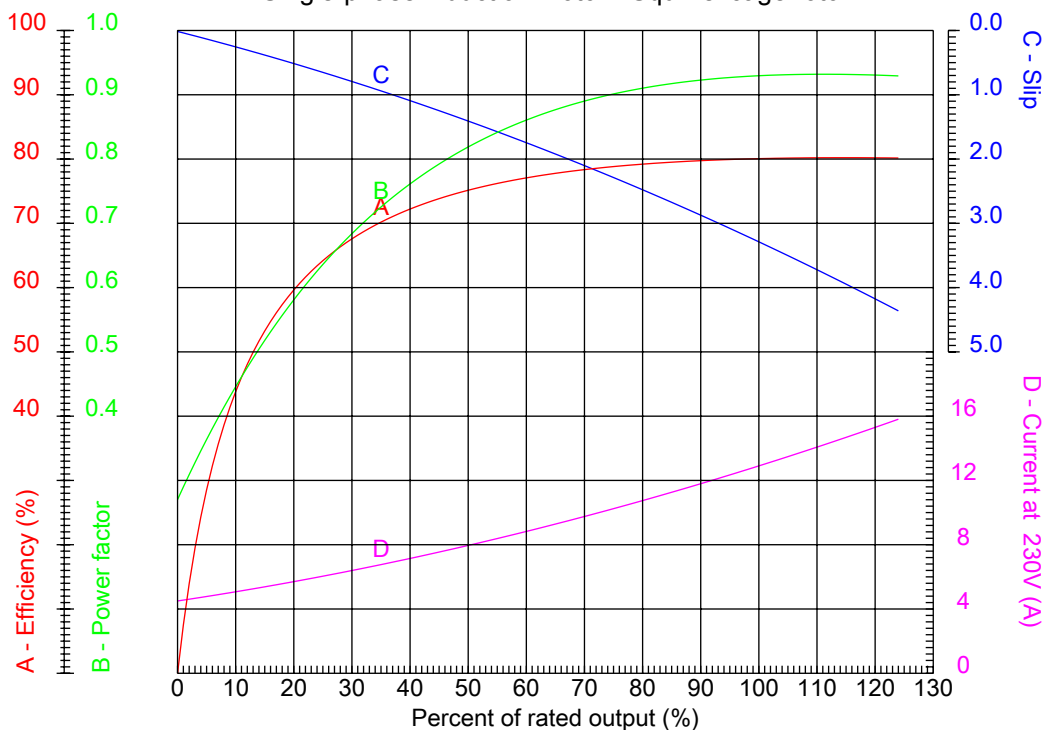
Dealers Industrial Equipment

No.:

Date: 12-SEP-2016

PERFORMANCE CURVES RELATED TO RATED OUTPUT

Single-phase induction motor - Squirrel cage rotor



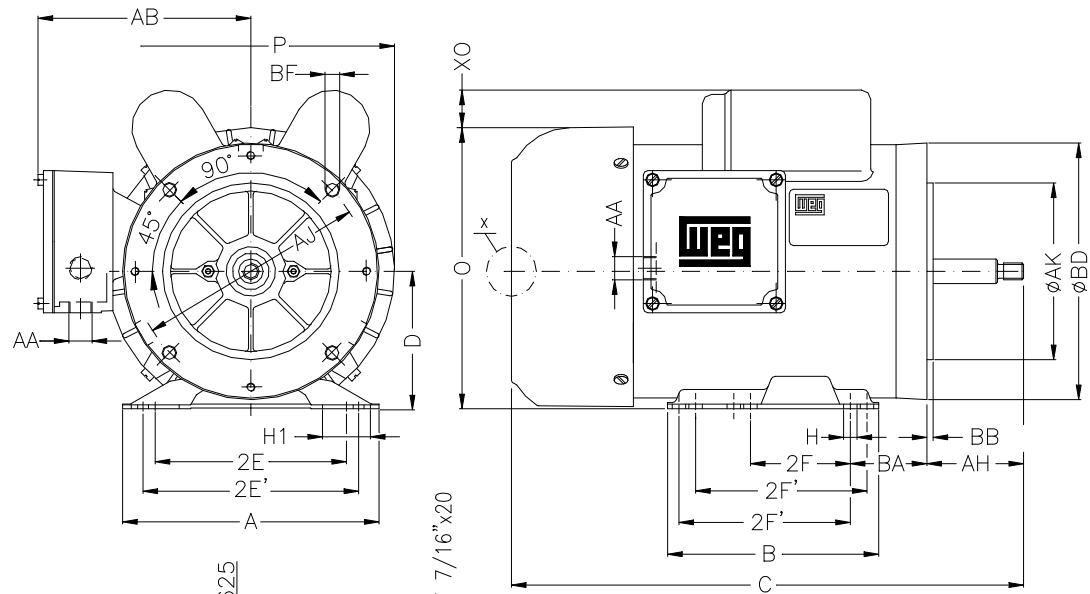
Customer :
Product line : Jet Pump - NEMA 56 : Single-Phase - Threaded - TEFC (IP55)

Frame : G56H	Locked rotor current (I _l /I _n) : 7.8
Output : 3 HP	Duty cycle : S1
Frequency : 60 Hz	Service factor : 1.15
Full load speed : 3480 rpm	Design : ---
Voltage : 230 V	Locked rotor torque : 250 %
Rated current : 13.0 A	Breakdown torque : 250 %
Insulation class : F	

Notes:
Downloaded from <http://dealerselectric.com>
Generated for Model #00336ES1DJP56J

Performed by

Checked



THREE-PHASE, FORM J, WITH INTERNAL
 THREAD OF 1/4"x28 UNF AT SHAFT-END,
 FOR CLAMPING THE PUMP ROTOR.

DETAIL X

Notes: Downloaded from <http://dealerselectric.com>
 Generated for Model #00336ES1DJP56J

Performed by:

Checked:

Customer:

Jet Pump - NEMA 56 : Single-Phase - Threaded - TEFC (IP55)

Single-phase induction motor
 Frame G56H - IP55

12-SEP-2016



	1	2	3	4	5	6	7	8
A								
B								
C								
D								
E								
F	2E 4.874	2F 3.000	H 0.342	BA 2.750	A 6.535			
	B 6.496	P 7.323	D 3.500	J 1.220	K 5.000			
	C 14.370	O 7.165	N-W 1.874	U 0.625	AB 5.433			
	AA NPT 1/2"	d1 D UNF 1/4"-28	Flange FC-149	AJ 5.874	AK 4.500			
	BD 6.535	BF UNC 3/8"x16-2B	BB 0.157	AH 2.563				