



Dealers Industrial Equipment

No.:

Date: 12-SEP-2016

Customer :

TECHNICAL PROPOSAL

Single-phase induction motor - Squirrel cage rotor

Product line : Single-Phase : NEMA 56 TEFC

Catalog Number : 00336ES1B145T

List Price : \$830

Notes:

Downloaded from <http://dealerselectric.com>

Generated for Model #00336ES1B145T

Performed by:

Checked:



Dealers Industrial Equipment

No.:

Date: 12-SEP-2016

DATA SHEET Single-phase induction motor - Squirrel cage rotor

Customer :
Product line : Single-Phase : NEMA 56 TEFC

Frame : G143/5T
Output : 3 HP
Frequency : 60 Hz
Poles : 2
Full load speed : 3480 rpm
Slip : 3.33 %
Voltage : 115/208-230 V
Rated current : 26.0/14.0-13.0 A
Locked rotor current : 203/101 A
Locked rotor current (I_L/I_n) : 7.8
No-load current : 9.00/4.50 A
Full load torque : 4.47 lb.ft
Locked rotor torque : 250 %
Breakdown torque : 250 %
Design : ---
Insulation class : F
Temperature rise : 105 K
Locked rotor time : 6 s (hot)
Service factor : 1.15 (1.00 at 208V)
Duty cycle : S1
Ambient temperature : -20°C - +40°C
Altitude : 1000 m
Degree of Protection : IP55
Approximate weight : 53 lb
Moment of inertia : 0.09492 sq.ft.lb
Noise level : ---

	D.E.	N.D.E.
Bearings	6205 ZZ	6203 ZZ
Regreasing interval	---	---
Grease amount	---	---

Load	Power factor	Efficiency (%)
100%	0.93	80.0
75%	0.90	79.0
50%	0.82	75.0

Notes:
Downloaded from <http://dealerselectric.com>
Generated for Model #00336ES1B145T

Performed by

Checked

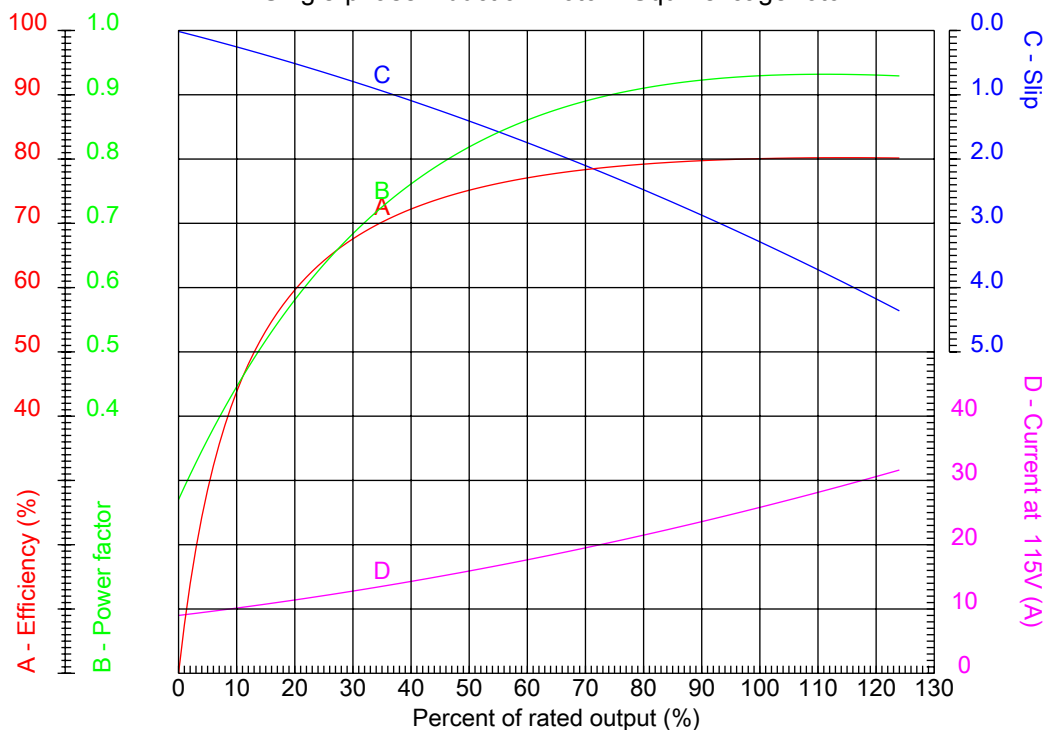


Dealers Industrial Equipment

No.:

Date: 12-SEP-2016

PERFORMANCE CURVES RELATED TO RATED OUTPUT Single-phase induction motor - Squirrel cage rotor



Customer :
Product line : Single-Phase : NEMA 56 TEFC

Frame	: G143/5T	Locked rotor current (I _l /I _n)	: 7.8
Output	: 3 HP	Duty cycle	: S1
Frequency	: 60 Hz	Service factor	: 1.15 (1.00 at 208V)
Full load speed	: 3480 rpm	Design	: ---
Voltage	: 115/208-230 V	Locked rotor torque	: 250 %
Rated current	: 26.0/14.0-13.0 A	Breakdown torque	: 250 %
Insulation class	: F		

Notes:
Downloaded from <http://dealerselectric.com>
Generated for Model #00336ES1B145T

Performed by

Checked

1 2 3 4 5 6 7 8

A

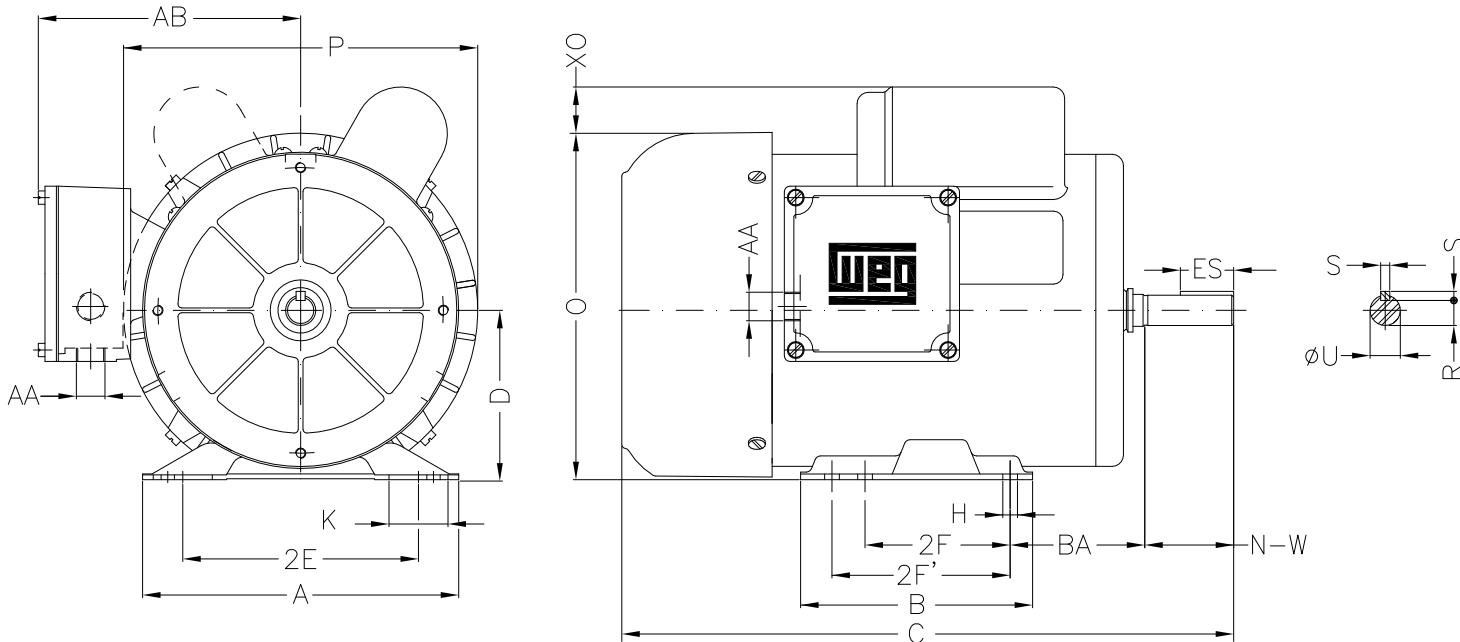
B

C

D

E

F



Notes: Downloaded from <http://dealerselectric.com>
Generated for Model #00336ES1B145T

Performed by:

Checked:

Customer:

Single-Phase : NEMA 56 TEFC

Single-phase induction motor
Frame G143/5T - IP55

12-SEP-2016



2E 5.500	H 0.342	A 6.535	2F 4.000/5.000	B 6.496
G 3.04	BA 2.250	J 1.220	K 5.000	P 7.323
ES 1.417	S 0.187	depth 0.187	N-W 2.250	U 0.8750
R 0.766	AB 5.433	d1 A 3,15	D 3.500	O 7.165
T 1.063	C 14.882	AA NPT 3/4"		