



Dealers Industrial Equipment

No.:

Date: 12-SEP-2016

Customer :

TECHNICAL PROPOSAL

Three-phase induction motor - Squirrel cage rotor

Product line : W22 High Efficiency

Catalog Number : 00336EP3ER182TC-W22

List Price : \$627

Notes:

Downloaded from <http://dealerselectric.com>

Generated for Model #00336EP3ER182TC-W22

Performed by:

Checked:



Dealers Industrial Equipment

No.:

Date: 12-SEP-2016

DATA SHEET Three-phase induction motor - Squirrel cage rotor

Customer :
Product line : W22 High Efficiency

Frame : 182T
Output : 3 HP
Frequency : 60 Hz
Poles : 2
Full load speed : 3500 rpm
Slip : 2.78 %
Voltage : 230/460 V
Rated current : 7.34/3.67 A
Locked rotor current : 52.8/26.4 A
Locked rotor current (I_L/I_n) : 7.2
No-load current : 2.60/1.30 A
Full load torque : 4.44 lb.ft
Locked rotor torque : 200 %
Breakdown torque : 310 %
Design : B
Insulation class : F
Temperature rise : 80 K
Locked rotor time : 28 s (hot)
Service factor : 1.25
Duty cycle : S1
Ambient temperature : -20°C - +40°C
Altitude : 1000 m
Degree of Protection : IP55
Approximate weight : 85 lb
Moment of inertia : 0.16445 sq.ft.lb
Noise level : 69 dB(A)

	D.E.	N.D.E.
Bearings	6207 ZZ	6206 ZZ
Regreasing interval	---	---
Grease amount	---	---

Load	Power factor	Efficiency (%)
100%	0.88	85.5
75%	0.84	85.5
50%	0.76	82.5

Notes:
Downloaded from <http://dealerselectric.com>
Generated for Model #00336EP3ER182TC-W22

Performed by

Checked



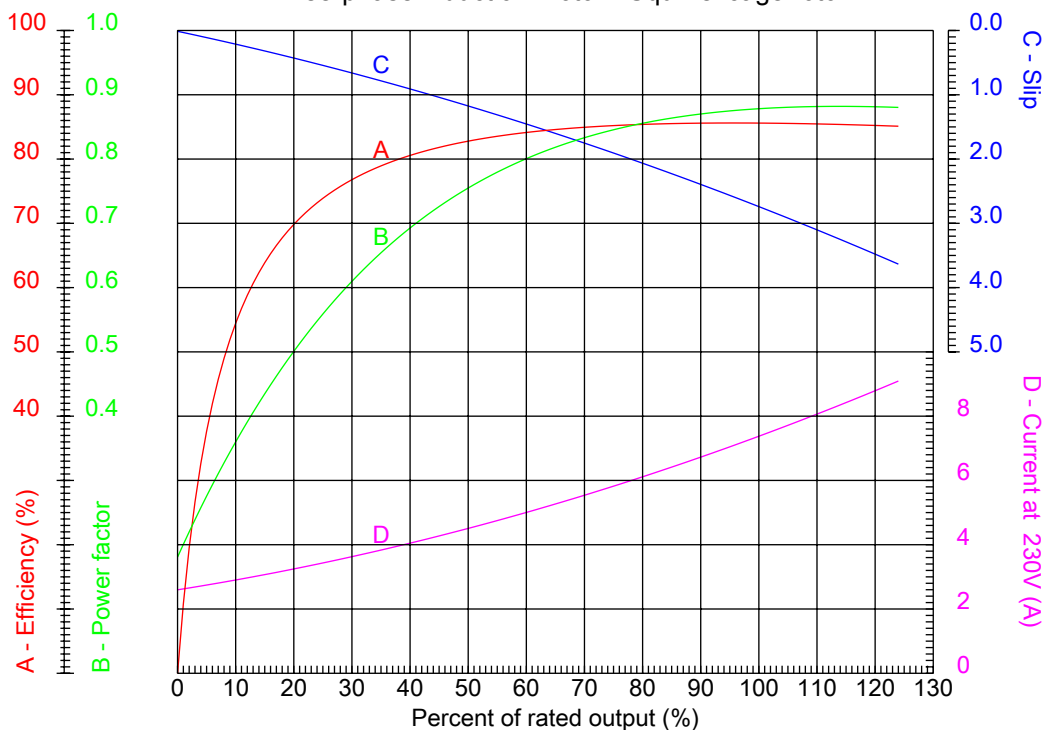
Dealers Industrial Equipment

No.:

Date: 12-SEP-2016

PERFORMANCE CURVES RELATED TO RATED OUTPUT

Three-phase induction motor - Squirrel cage rotor



Customer :
Product line : W22 High Efficiency

Frame : 182T	Locked rotor current (I _l /I _n) : 7.2
Output : 3 HP	Duty cycle : S1
Frequency : 60 Hz	Service factor : 1.25
Full load speed : 3500 rpm	Design : B
Voltage : 230/460 V	Locked rotor torque : 200 %
Rated current : 7.34/3.67 A	Breakdown torque : 310 %
Insulation class : F	

Notes:
Downloaded from <http://dealerselectric.com>
Generated for Model #00336EP3ER182TC-W22

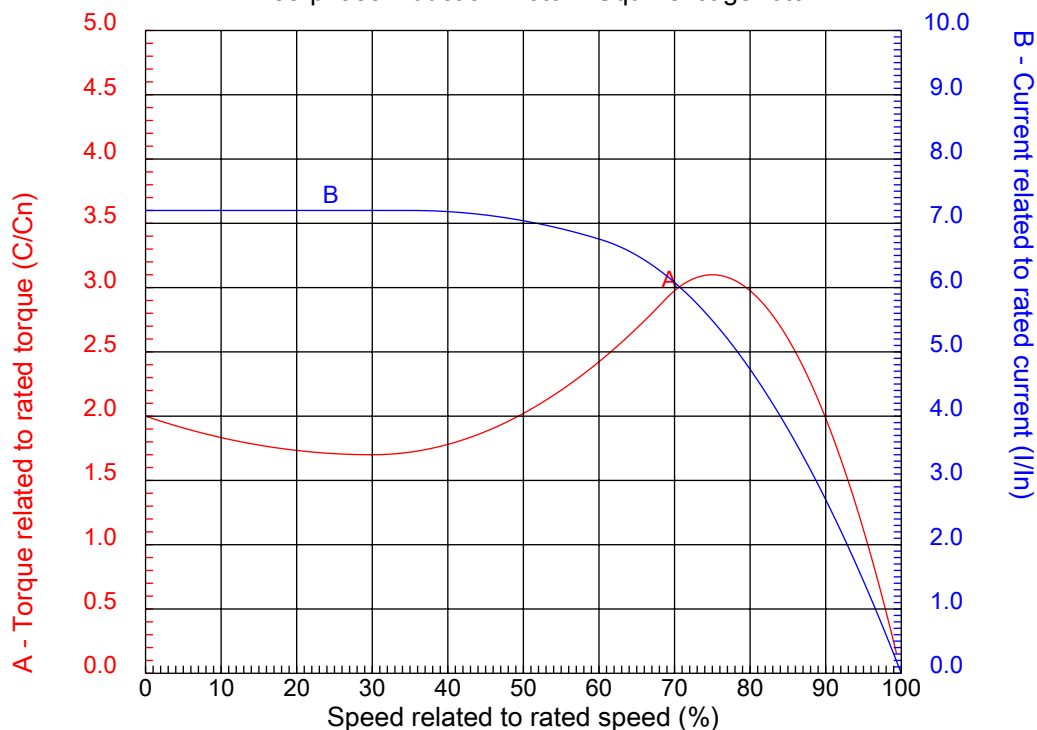
Performed by

Checked



CHARACTERISTIC CURVES RELATED TO SPEED

Three-phase induction motor - Squirrel cage rotor



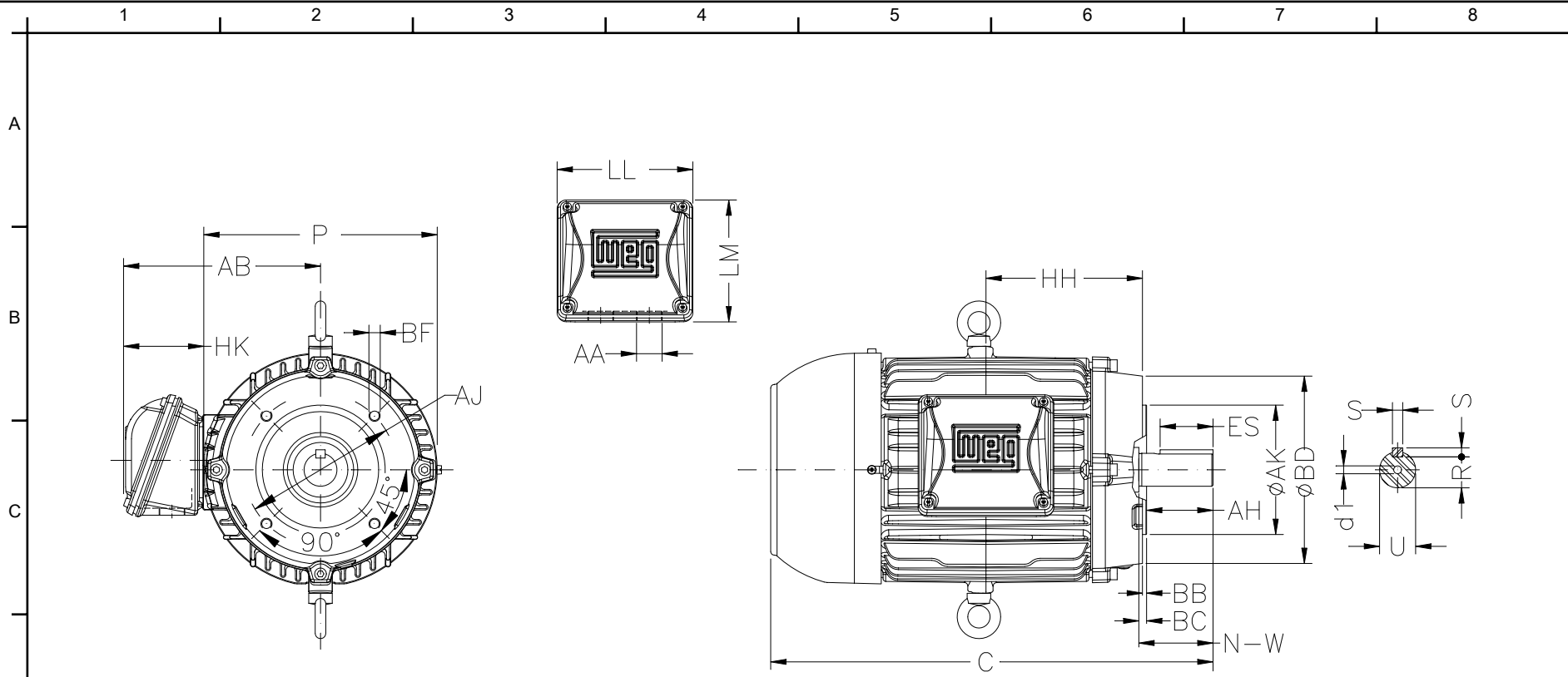
Customer :
Product line : W22 High Efficiency

Frame	: 182T	Locked rotor current (I _l /I _n)	: 7.2
Output	: 3 HP	Duty cycle	: S1
Frequency	: 60 Hz	Service factor	: 1.25
Full load speed	: 3500 rpm	Design	: B
Voltage	: 230/460 V	Locked rotor torque	: 200 %
Rated current	: 7.34/3.67 A	Breakdown torque	: 310 %
Insulation class	: F		

Notes:
Downloaded from <http://dealerselectric.com>
Generated for Model #00336EP3ER182TC-W22

Performed by

Checked



Notes: Downloaded from <http://dealerselectric.com>
 Generated for Model #00336EP3ER182TC-W22

Performed by:

Checked:

Customer:

W22 High Efficiency

Three-phase induction motor
 Frame 182T - IP55

12-SEP-2016



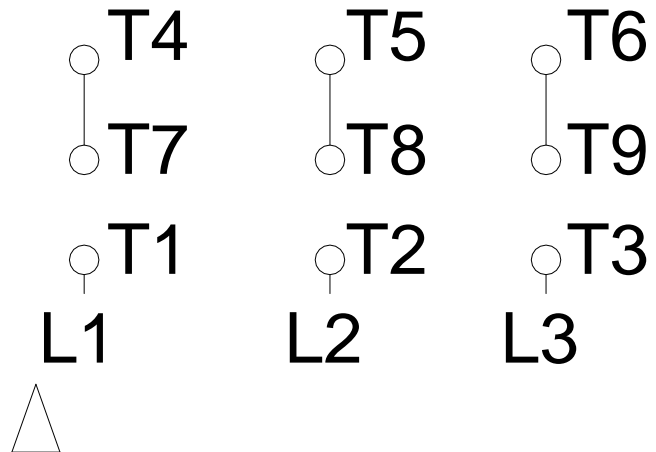
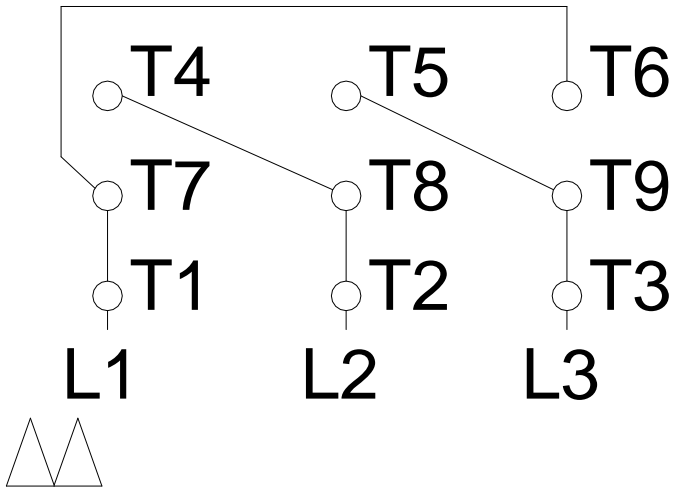
P	AB	U	N-W	ES
8.937	7.565	1.125	2.750	1.969
S	R	depth	HH	HK
0.250	0.984	0.250	5.000	3.150
C	FC	LL	LM	AA
14.860	17.860	5.512	5.236	NPT 1"
d1	Flange	AJ	AK	BD
A 4	FC-184	7.250	8.500	8.875
BF	BB	BC	AH	
UNC 1/2"x13	0.250	0.125	2.625	

1 2 3 4 5 6 7 8

LOW VOLTAGE

HIGH VOLTAGE

A
B
C
D
E
F



Notes: Downloaded from <http://dealerselectric.com>
Generated for Model #00336EP3ER182TC-W22

Performed by:

Checked:

Customer:

W22 High Efficiency

Three-phase induction motor
Frame 182T - IP55

12-SEP-2016

