



Dealers Industrial Equipment

No.:

Date: 12-SEP-2016

Customer :

TECHNICAL PROPOSAL

Three-phase induction motor - Squirrel cage rotor

Product line : Brake Motors : Three-Phase - High Efficiency
Catalog Number : 00336EP3EBM182T
List Price : \$>(discontinued)

Notes:
Downloaded from <http://dealerselectric.com>
Generated for Model #00336EP3EBM182T

Performed by:

Checked:



Dealers Industrial Equipment

No.:

Date: 12-SEP-2016

DATA SHEET Three-phase induction motor - Squirrel cage rotor

Customer :
 Product line : Brake Motors : Three-Phase - High Efficiency

Frame : 182T
 Output : 3 HP
 Frequency : 60 Hz
 Poles : 2
 Full load speed : 3500 rpm
 Slip : 2.78 %
 Voltage : 230/460 V
 Rated current : 7.42/3.71 A
 Locked rotor current : 60.8/30.4 A
 Locked rotor current (I_L/I_n) : 8.2
 No-load current : 2.40/1.20 A
 Full load torque : 4.44 lb.ft
 Locked rotor torque : 250 %
 Breakdown torque : 400 %
 Design : B
 Insulation class : F
 Temperature rise : 80 K
 Locked rotor time : 23 s (hot)
 Service factor : 1.25
 Duty cycle : S1
 Ambient temperature : -20°C - +40°C
 Altitude : 1000 m
 Degree of Protection : IP55
 Approximate weight : 108 lb
 Moment of inertia : 0.17252 sq.ft.lb
 Noise level : 69 dB(A)

	D.E.	N.D.E.
Bearings	6307 ZZ	6206 ZZ
Regreasing interval	---	---
Grease amount	---	---

Load	Power factor	Efficiency (%)
100%	0.87	85.5
75%	0.83	84.0
50%	0.74	80.0

Notes:
 Downloaded from <http://dealerselectric.com>
 Generated for Model #00336EP3EBM182T

Performed by

Checked



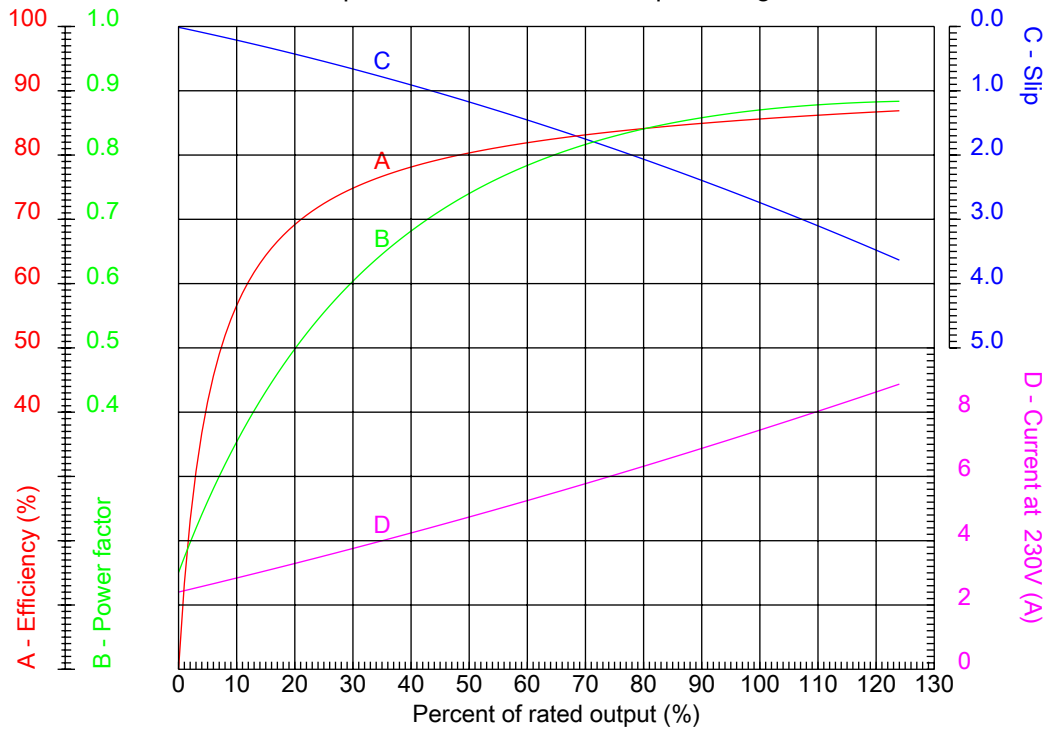
Dealers Industrial Equipment

No.:

Date: 12-SEP-2016

PERFORMANCE CURVES RELATED TO RATED OUTPUT

Three-phase induction motor - Squirrel cage rotor



Customer :
Product line : Brake Motors : Three-Phase - High Efficiency

Frame : 182T	Locked rotor current (I _L /I _n) : 8.2
Output : 3 HP	Duty cycle : S1
Frequency : 60 Hz	Service factor : 1.25
Full load speed : 3500 rpm	Design : B
Voltage : 230/460 V	Locked rotor torque : 250 %
Rated current : 7.42/3.71 A	Breakdown torque : 400 %
Insulation class : F	

Notes:
Downloaded from <http://dealerselectric.com>
Generated for Model #00336EP3EBM182T

Performed by

Checked



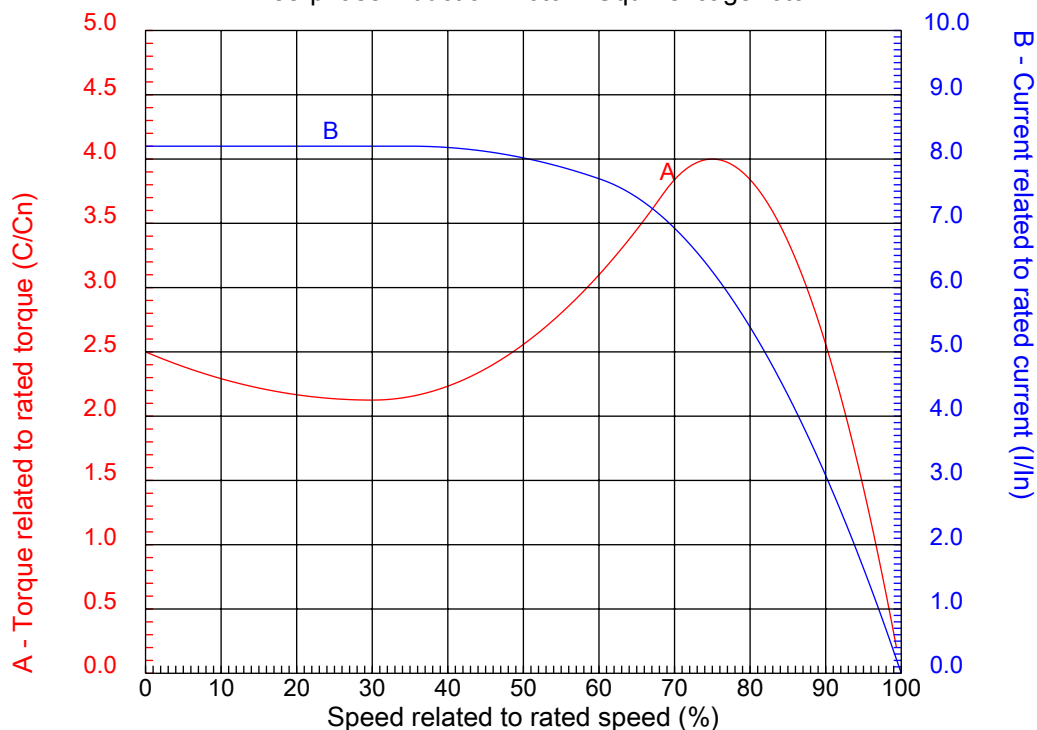
Dealers Industrial Equipment

No.:

Date: 12-SEP-2016

CHARACTERISTIC CURVES RELATED TO SPEED

Three-phase induction motor - Squirrel cage rotor



Customer :
Product line : Brake Motors : Three-Phase - High Efficiency

Frame	: 182T	Locked rotor current (I _l /I _n)	: 8.2
Output	: 3 HP	Duty cycle	: S1
Frequency	: 60 Hz	Service factor	: 1.25
Full load speed	: 3500 rpm	Design	: B
Voltage	: 230/460 V	Locked rotor torque	: 250 %
Rated current	: 7.42/3.71 A	Breakdown torque	: 400 %
Insulation class	: F		

Notes:
Downloaded from <http://dealerselectric.com>
Generated for Model #00336EP3EBM182T

Performed by

Checked

1 2 3 4 5 6 7 8

A

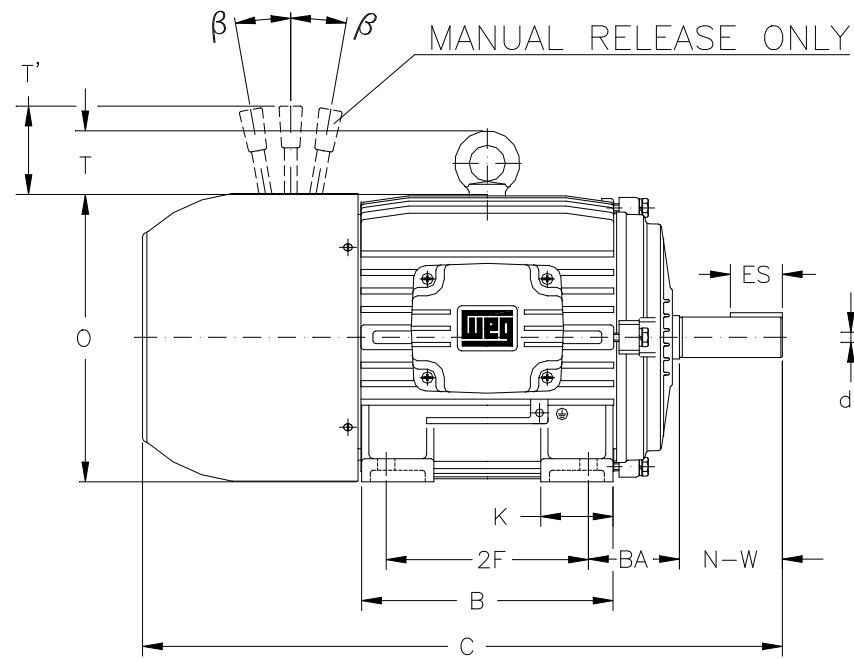
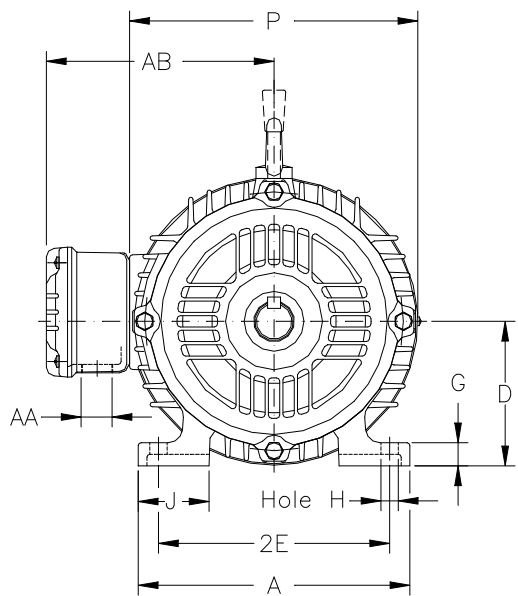
B

C

D

E

F



Notes: Downloaded from <http://dealerselectric.com>
Generated for Model #00336EP3EBM182T

Performed by:

Checked:

Customer:

Brake Motors : Three-Phase - High Efficiency

Three-phase induction motor
Frame 182T - IP55

12-SEP-2016



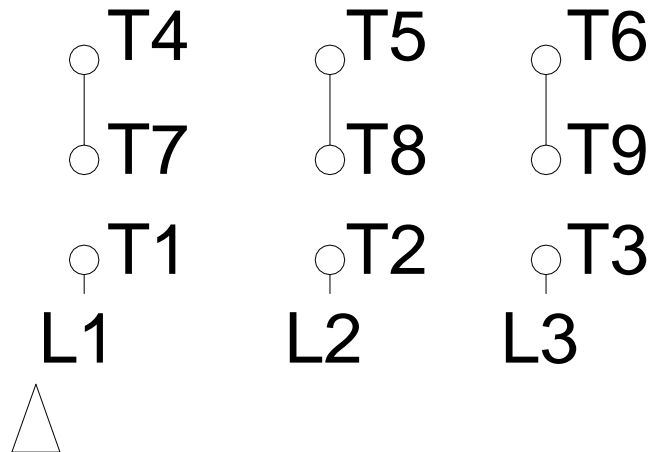
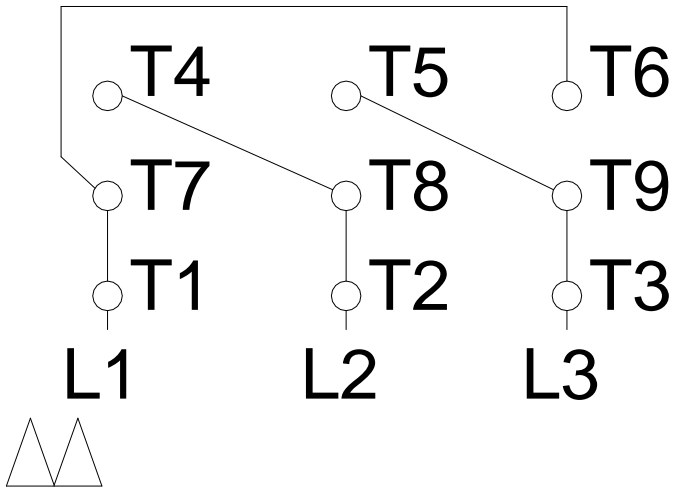
2E 7.500	A 8.661	2F 4.500	B 5.945	BA 2.750
J 1.890	K 1.969	P 8.740	ES 1.969	depth 0.250
S 0.250	N-W 2.750	U 1.125	R 0.984	AB 7.047
D 4.500	G 0.799	O 9.343	T 1.772	H 0.406
C 18.246	AA NPT 1"	d1 A 4	d2 A 4	

1 2 3 4 5 6 7 8

LOW VOLTAGE

HIGH VOLTAGE

A
B
C
D
E
F



Notes: Downloaded from <http://dealerselectric.com>
 Generated for Model #00336EP3EBM182T

Performed by:

Checked:

Customer:

Brake Motors : Three-Phase - High Efficiency

Three-phase induction motor
 Frame 182T - IP55

12-SEP-2016

