



# Dealers Industrial Equipment

No.:

Date: 12-SEP-2016

Customer :

## TECHNICAL PROPOSAL

### Three-phase induction motor - Squirrel cage rotor

Product line : Three-Phase: W22 IEEE-841™ Petrochem Motors - NEMA Premium® Efficiency

Catalog Number : 00318ST3PIE182TC-W22

List Price : \$1,289

#### Notes:

Downloaded from <http://dealerselectric.com>

Generated for Model #00318ST3PIE182TC-W22

Performed by:

Checked:



# Dealers Industrial Equipment

No.:

Date: 12-SEP-2016

## DATA SHEET

### Three-phase induction motor - Squirrel cage rotor

Customer :  
 Product line : Three-Phase: W22 IEEE-841™ Petrochem Motors - NEMA Premium® Efficiency

Frame : 182T  
 Output : 3 HP  
 Frequency : 60 Hz  
 Poles : 4  
 Full load speed : 1760 rpm  
 Slip : 2.22 %  
 Voltage : 200 V  
 Rated current : 8.99 A  
 Locked rotor current : 72.8 A  
 Locked rotor current (I<sub>L</sub>/I<sub>n</sub>) : 8.1  
 No-load current : 4.60 A  
 Full load torque : 8.83 lb.ft  
 Locked rotor torque : 230 %  
 Breakdown torque : 340 %  
 Design : B  
 Insulation class : F  
 Temperature rise : 80 K  
 Locked rotor time : 23 s (hot)  
 Service factor : 1.25  
 Duty cycle : S1  
 Ambient temperature : -20°C - +40°C  
 Altitude : 1000 m  
 Degree of Protection : IP55  
 Approximate weight : 90 lb  
 Moment of inertia : 0.34005 sq.ft.lb  
 Noise level : 56 dB(A)

	D.E.	N.D.E.
Bearings	6207 C3	6206 C3
Regreasing interval	20000 h	20000 h
Grease amount	7 g	5 g

Load	Power factor	Efficiency (%)
100%	0.79	89.5
75%	0.73	88.5
50%	0.61	87.5

#### Notes:

Downloaded from <http://dealerselectric.com>  
 Generated for Model #00318ST3PIE182TC-W22

Performed by

Checked



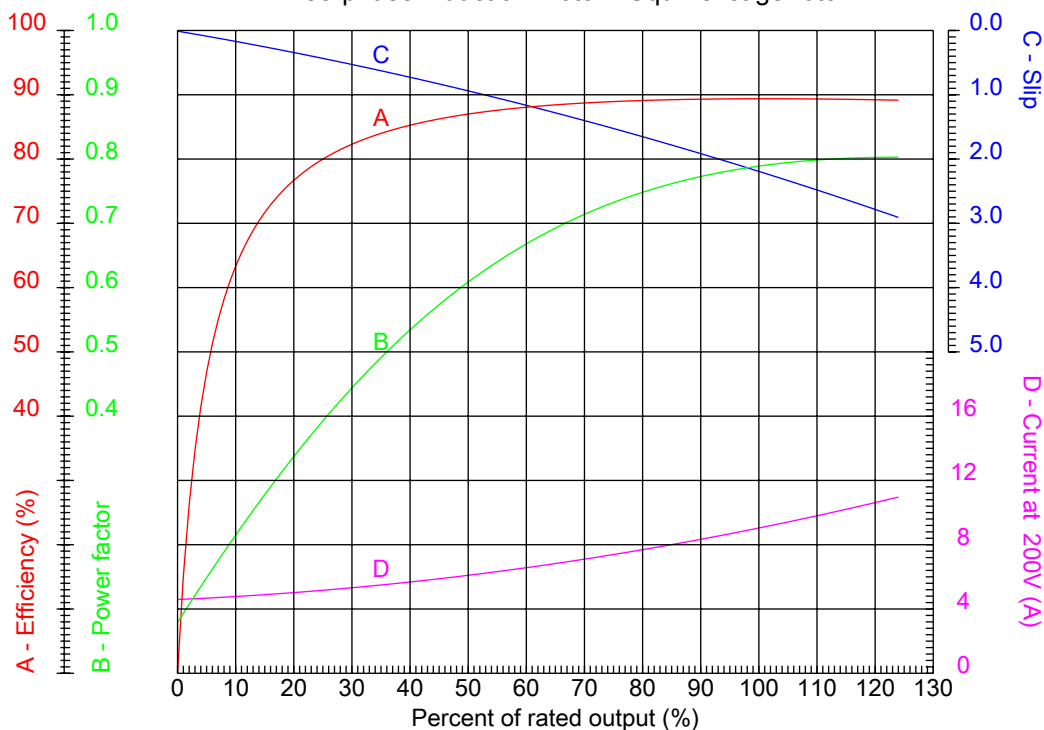
# Dealers Industrial Equipment

No.:

Date: 12-SEP-2016

## PERFORMANCE CURVES RELATED TO RATED OUTPUT

Three-phase induction motor - Squirrel cage rotor



Customer :  
Product line : Three-Phase: W22 IEEE-841™ Petrochem Motors - NEMA Premium® Efficiency

Frame	: 182T	Locked rotor current (I <sub>l</sub> /I <sub>n</sub> )	: 8.1
Output	: 3 HP	Duty cycle	: S1
Frequency	: 60 Hz	Service factor	: 1.25
Full load speed	: 1760 rpm	Design	: B
Voltage	: 200 V	Locked rotor torque	: 230 %
Rated current	: 8.99 A	Breakdown torque	: 340 %
Insulation class	: F		

Notes:  
Downloaded from <http://dealerselectric.com>  
Generated for Model #00318ST3PIE182TC-W22

Performed by

Checked



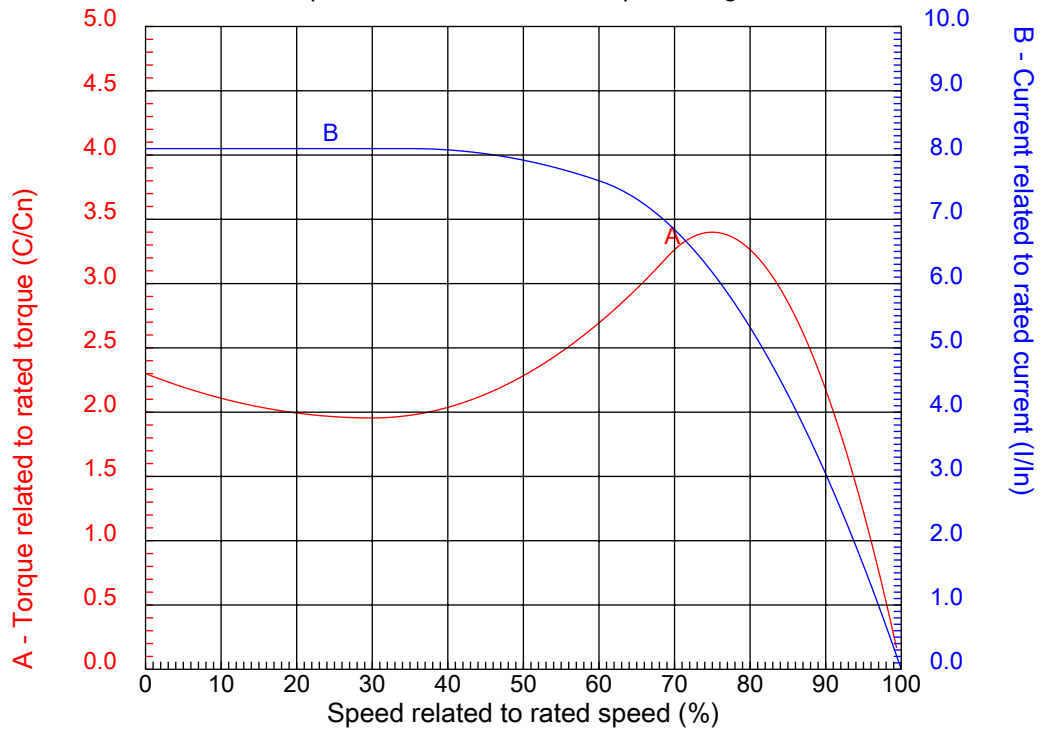
# Dealers Industrial Equipment

No.:

Date: 12-SEP-2016

## CHARACTERISTIC CURVES RELATED TO SPEED

Three-phase induction motor - Squirrel cage rotor



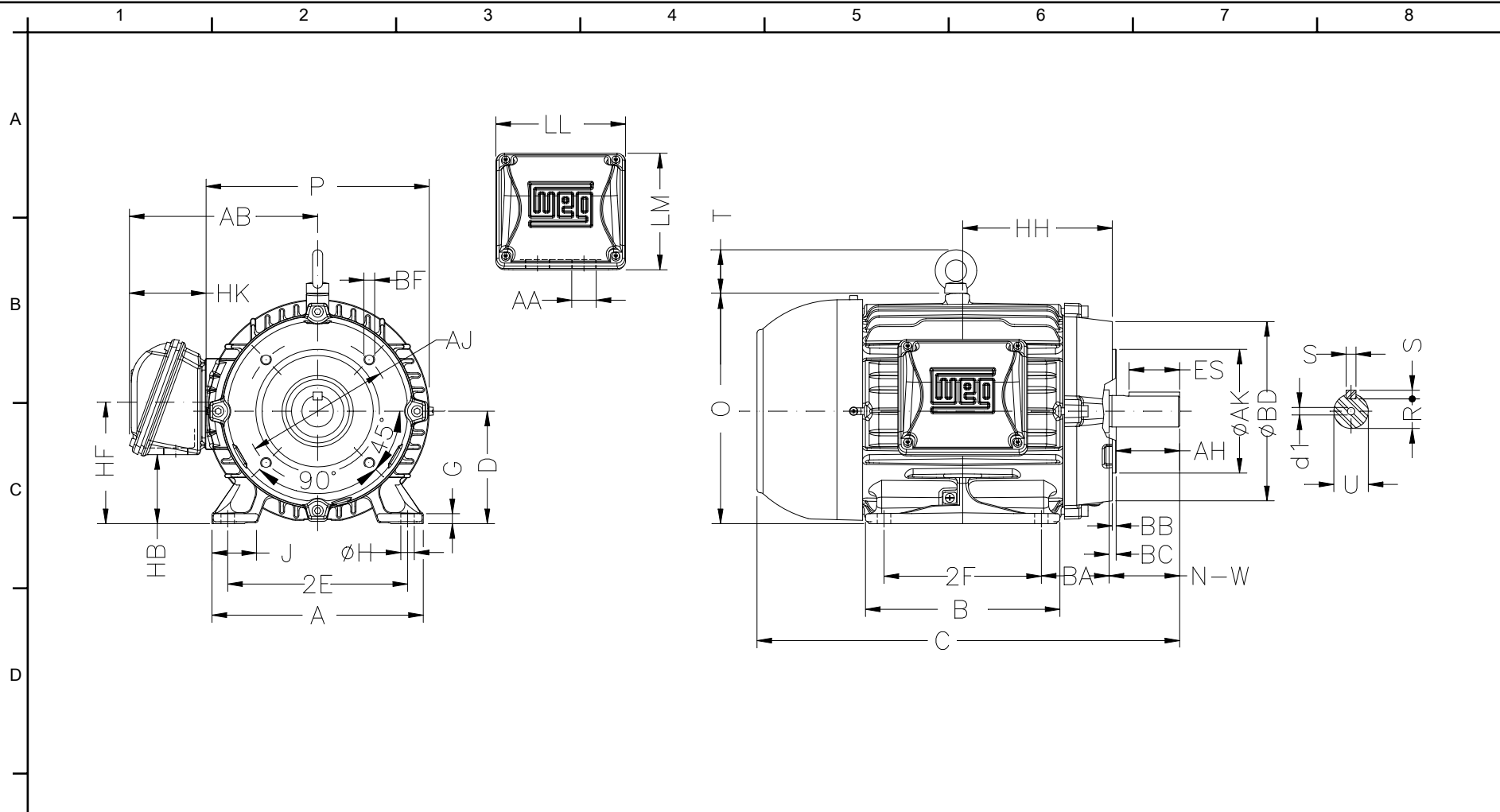
Customer :  
Product line : Three-Phase: W22 IEEE-841™ Petrochem Motors - NEMA Premium® Efficiency

Frame	: 182T	Locked rotor current (I <sub>l</sub> /I <sub>n</sub> )	: 8.1
Output	: 3 HP	Duty cycle	: S1
Frequency	: 60 Hz	Service factor	: 1.25
Full load speed	: 1760 rpm	Design	: B
Voltage	: 200 V	Locked rotor torque	: 230 %
Rated current	: 8.99 A	Breakdown torque	: 340 %
Insulation class	: F		

Notes:  
Downloaded from <http://dealerselectric.com>  
Generated for Model #00318ST3PIE182TC-W22

Performed by

Checked



E	2E 7.500	J 1.614	A 8.661	P 8.740	AB 7.565
	2F 4.500	B 5.945	BA 2.750	U 1.125	N-W 2.750
	ES 1.969	S 0.250	R 0.984	depth 0.250	D 4.500
	G 0.374	HB 2.236	O 9.400	T 1.715	HF 4.500
	HH 5.000	HK 3.150	H 0.406	C 14.860	LL 5.512
F	LM 5.236	AA NPT 1"	d1 A 4	d2 A 4	Flange FC-184
	AJ 7.250	AK 8.500	BD 8.875	BF UNC 1/2"x13	BB 0.250
	BC 0.125	AH 2.625			

Notes: Downloaded from <http://dealerselectric.com>  
 Generated for Model #00318ST3PIE182TC-W22

Performed by:

Checked:

Customer:

Three-Phase: W22 IEEE-841™ Petrochem Motors - NEMA Premium® Efficiency

Three-phase induction motor  
 Frame 182T - IP55

12-SEP-2016

