



Dealers Industrial Equipment

No.:

Date: 12-SEP-2016

Customer :

TECHNICAL PROPOSAL

Three-phase induction motor - Squirrel cage rotor

Product line : Three-Phase: W22 IEEE-841™ Petrochem Motors - NEMA Premium® Efficiency

Catalog Number : 00318ST3HIE182T-W22

List Price : \$1,224

Notes:

Downloaded from <http://dealerselectric.com>

Generated for Model #00318ST3HIE182T-W22

Performed by:

Checked:



Dealers Industrial Equipment

No.:

Date: 12-SEP-2016

DATA SHEET Three-phase induction motor - Squirrel cage rotor

Customer :
 Product line : Three-Phase: W22 IEEE-841™ Petrochem Motors - NEMA Premium® Efficiency

Frame : 182/4T
 Output : 3 HP
 Frequency : 60 Hz
 Poles : 4
 Full load speed : 1760 rpm
 Slip : 2.22 %
 Voltage : 575 V
 Rated current : 3.13 A
 Locked rotor current : 25.3 A
 Locked rotor current (I_L/I_n) : 8.1
 No-load current : 1.60 A
 Full load torque : 8.83 lb.ft
 Locked rotor torque : 230 %
 Breakdown torque : 340 %
 Design : B
 Insulation class : F
 Temperature rise : 80 K
 Locked rotor time : 23 s (hot)
 Service factor : 1.25
 Duty cycle : S1
 Ambient temperature : -20°C - +40°C
 Altitude : 1000 m
 Degree of Protection : IP55
 Approximate weight : 90 lb
 Moment of inertia : 0.34005 sq.ft.lb
 Noise level : 56 dB(A)

| | D.E. | N.D.E. | Load | Power factor | Efficiency (%) |
|---------------------|---------|---------|------|--------------|----------------|
| Bearings | 6207 C3 | 6206 C3 | 100% | 0.79 | 89.5 |
| Regreasing interval | 20000 h | 20000 h | 75% | 0.73 | 88.5 |
| Grease amount | 7 g | 5 g | 50% | 0.61 | 87.5 |

Notes:
 Downloaded from <http://dealerselectric.com>
 Generated for Model #00318ST3HIE182T-W22

Performed by

Checked



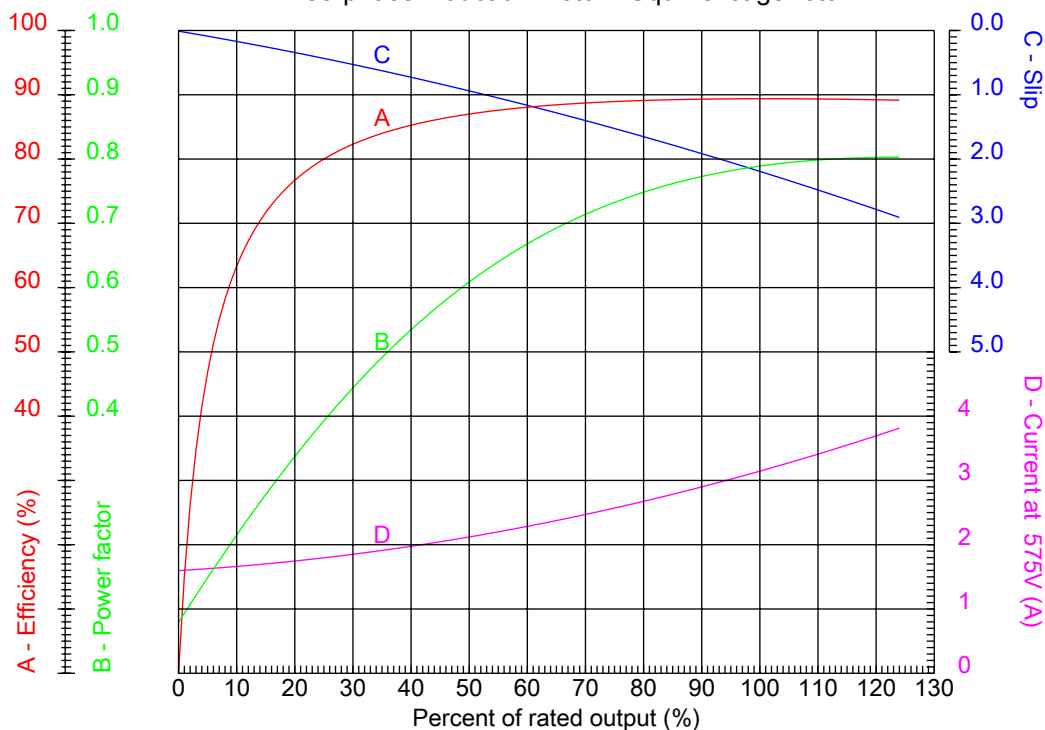
Dealers Industrial Equipment

No.:

Date: 12-SEP-2016

PERFORMANCE CURVES RELATED TO RATED OUTPUT

Three-phase induction motor - Squirrel cage rotor



Customer :
Product line : Three-Phase: W22 IEEE-841™ Petrochem Motors - NEMA Premium® Efficiency

| | | | |
|------------------|------------|--|---------|
| Frame | : 182/4T | Locked rotor current (I _l /I _n) | : 8.1 |
| Output | : 3 HP | Duty cycle | : S1 |
| Frequency | : 60 Hz | Service factor | : 1.25 |
| Full load speed | : 1760 rpm | Design | : B |
| Voltage | : 575 V | Locked rotor torque | : 230 % |
| Rated current | : 3.13 A | Breakdown torque | : 340 % |
| Insulation class | : F | | |

Notes:
Downloaded from <http://dealerselectric.com>
Generated for Model #00318ST3HIE182T-W22

Performed by

Checked



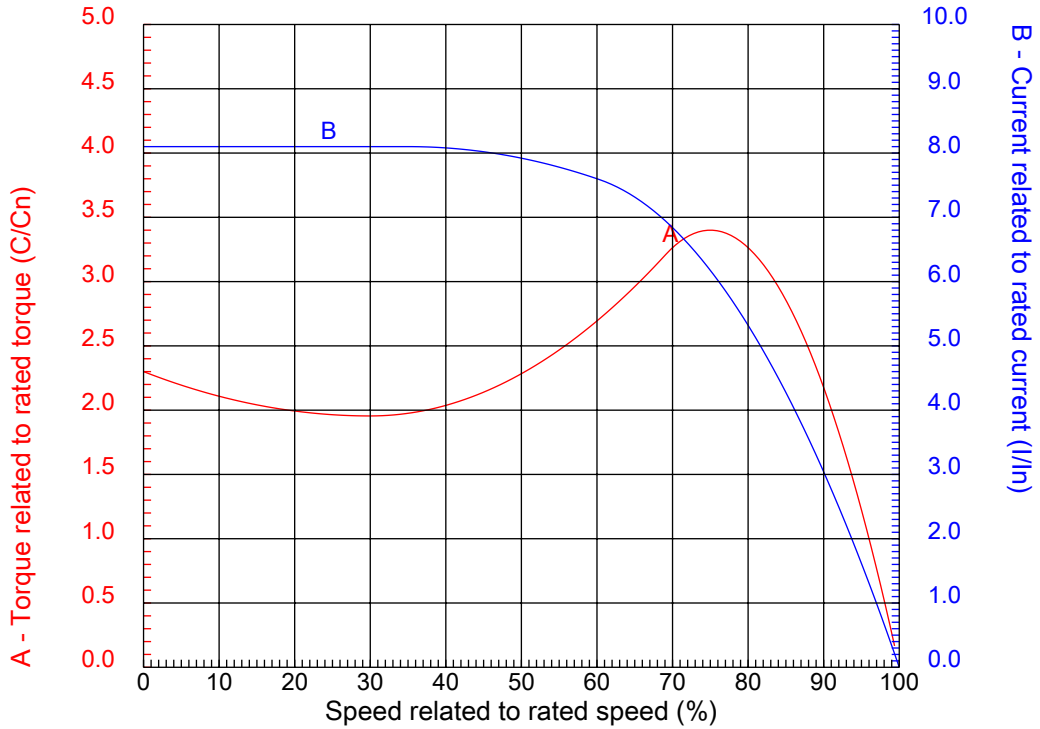
Dealers Industrial Equipment

No.:

Date: 12-SEP-2016

CHARACTERISTIC CURVES RELATED TO SPEED

Three-phase induction motor - Squirrel cage rotor



Customer :
Product line : Three-Phase: W22 IEEE-841™ Petrochem Motors - NEMA Premium® Efficiency

| | | | |
|------------------|------------|--|---------|
| Frame | : 182/4T | Locked rotor current (I _l /I _n) | : 8.1 |
| Output | : 3 HP | Duty cycle | : S1 |
| Frequency | : 60 Hz | Service factor | : 1.25 |
| Full load speed | : 1760 rpm | Design | : B |
| Voltage | : 575 V | Locked rotor torque | : 230 % |
| Rated current | : 3.13 A | Breakdown torque | : 340 % |
| Insulation class | : F | | |

Notes:
Downloaded from <http://dealerselectric.com>
Generated for Model #00318ST3HIE182T-W22

Performed by

Checked

1 2 3 4 5 6 7 8

A

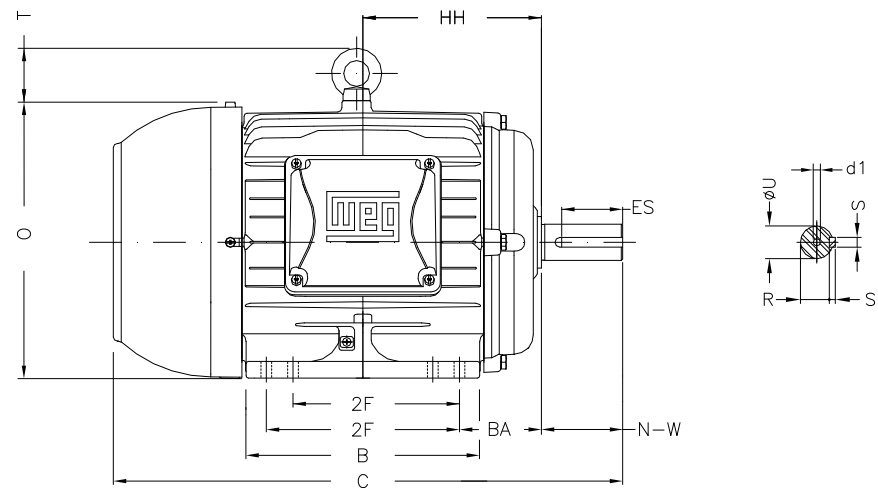
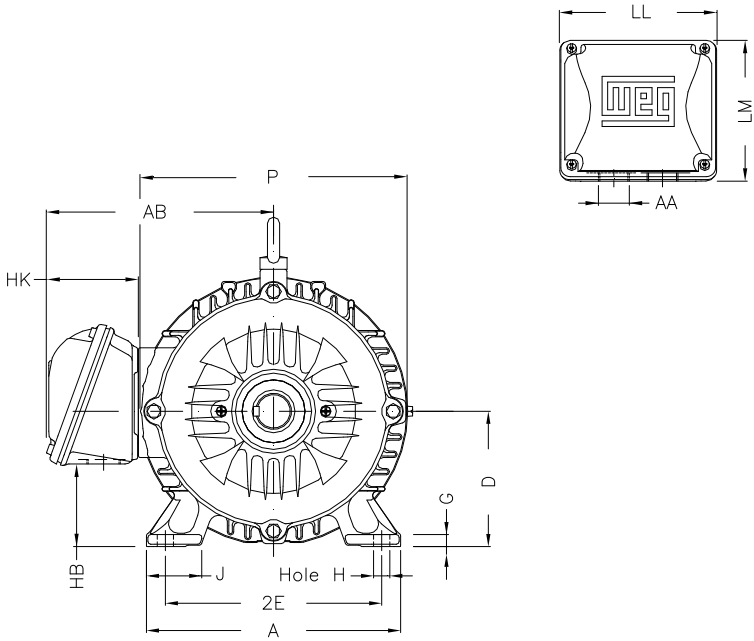
B

C

D

E

F



Notes: Downloaded from <http://dealerselectric.com>
Generated for Model #00318ST3HIE182T-W22

Performed by:

Checked:

Customer:

Three-Phase: W22 IEEE-841™ Petrochem Motors - NEMA Premium® Efficiency

Three-phase induction motor
Frame 182/4T - IP55

12-SEP-2016



| | | | | |
|-------------------|--------------|-------------|----------------|--------------|
| 2E 7.500 | J 1.614 | A 8.661 | P 8.740 | AB 7.565 |
| 2F 4.500/5.500 | B 6.969 | BA 2.750 | U 1.125 | N-W 2.750 |
| ES 1.969 | S 0.250 | R 0.984 | depth 0.250 | D 4.500 |
| G 0.374 | HB 2.236 | O 9.400 | T 1.715 | HF 4.500 |
| HH 5.500 | HK 3.150 | H 0.406 | C 15.860 | LL 5.512 |
| LM 5.236 | AA NPT 1" | d1 A 4 | d2 A 4 | |

1 2 3 4 5 6 7 8

A

B

C

D

E

F



Notes: Downloaded from <http://dealerselectric.com>
Generated for Model #00318ST3HIE182T-W22

Performed by:

Checked:

Customer:

Three-Phase: W22 IEEE-841™ Petrochem Motors - NEMA Premium® Efficiency

Three-phase induction motor
Frame 182/4T - IP55

12-SEP-2016

