



Dealers Industrial Equipment

No.:

Date: 12-SEP-2016

Customer :

TECHNICAL PROPOSAL

Single-phase induction motor - Squirrel cage rotor

Product line : Single-Phase : ODP (IP22)

Catalog Number : 00318OS1D184T

List Price : \$691

Notes:

Downloaded from <http://dealerselectric.com>

Generated for Model #00318OS1D184T

Performed by:

Checked:



Dealers Industrial Equipment

No.:

Date: 12-SEP-2016

DATA SHEET Single-phase induction motor - Squirrel cage rotor

Customer :
Product line : Single-Phase : ODP (IP22)

Frame : 184T
Output : 3 HP
Frequency : 60 Hz
Poles : 4
Full load speed : 1750 rpm
Slip : 2.78 %
Voltage : 230 V
Rated current : 17.5 A
Locked rotor current : 114 A
Locked rotor current (I_L/I_n) : 6.5
No-load current : 11.5 A
Full load torque : 8.88 lb.ft
Locked rotor torque : 210 %
Breakdown torque : 200 %
Design : ---
Insulation class : F
Temperature rise : 80 K
Locked rotor time : 6 s (hot)
Service factor : 1.25
Duty cycle : S1
Ambient temperature : -20°C - +40°C
Altitude : 1000 m
Degree of Protection : IP22
Approximate weight : 106 lb
Moment of inertia : 0.43189 sq.ft.lb
Noise level : ---

| | D.E. | N.D.E. |
|---------------------|---------|---------|
| Bearings | 6206 ZZ | 6205 ZZ |
| Regreasing interval | --- | --- |
| Grease amount | --- | --- |

| Load | Power factor | Efficiency (%) |
|------|--------------|----------------|
| 100% | 0.75 | 75.0 |
| 75% | 0.68 | 74.0 |
| 50% | 0.56 | 71.0 |

Notes:
Downloaded from <http://dealerselectric.com>
Generated for Model #00318OS1D184T

Performed by

Checked



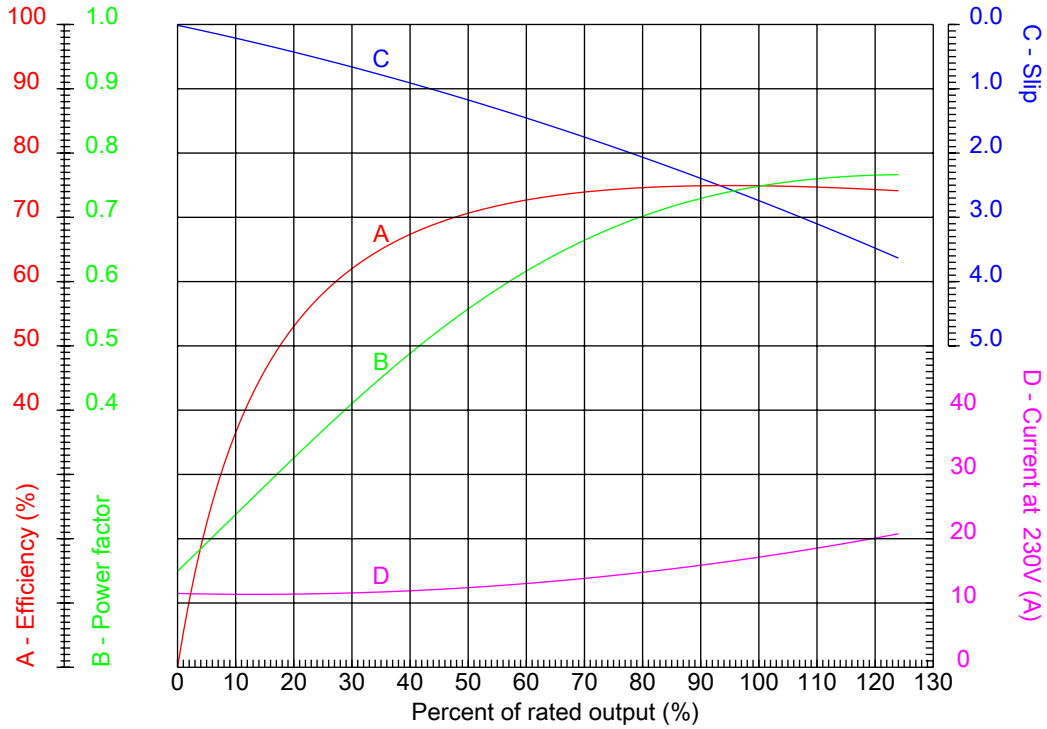
Dealers Industrial Equipment

No.:

Date: 12-SEP-2016

PERFORMANCE CURVES RELATED TO RATED OUTPUT

Single-phase induction motor - Squirrel cage rotor



Customer :
 Product line : Single-Phase : ODP (IP22)

| | |
|----------------------------|--|
| Frame : 184T | Locked rotor current (I _l /I _n) : 6.5 |
| Output : 3 HP | Duty cycle : S1 |
| Frequency : 60 Hz | Service factor : 1.25 |
| Full load speed : 1750 rpm | Design : --- |
| Voltage : 230 V | Locked rotor torque : 210 % |
| Rated current : 17.5 A | Breakdown torque : 200 % |
| Insulation class : F | |

Notes:
 Downloaded from <http://dealerselectric.com>
 Generated for Model #00318OS1D184T

Performed by

Checked

1 2 3 4 5 6 7 8

A

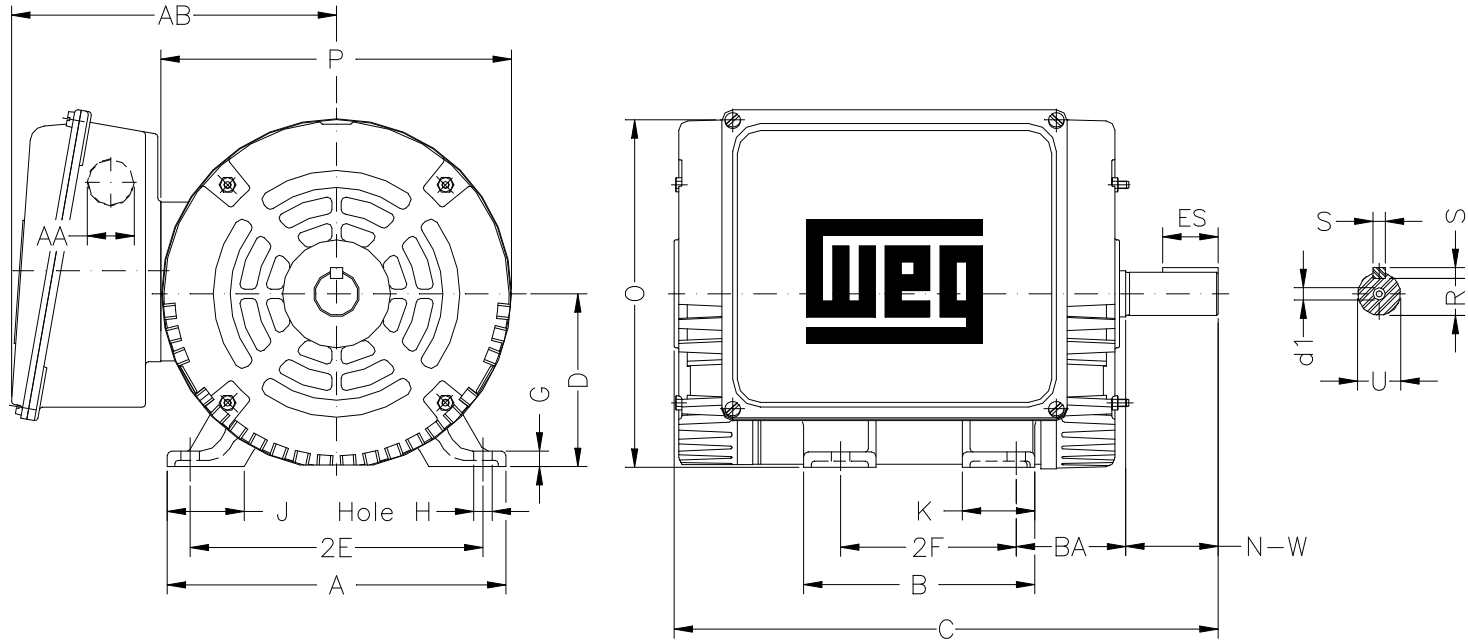
B

C

D

E

F



Notes: Downloaded from <http://dealerselectric.com>
Generated for Model #00318OS1D184T

Performed by:

Checked:

Customer:

Single-Phase : ODP (IP22)

Single-phase induction motor
Frame 184T - IP22

12-SEP-2016



| | | | | |
|--------------|-------------|------------|-------------|----------------|
| 2E 7.500 | 2F 5.500 | H 0.406 | BA 2.750 | A 8.661 |
| B 7.165 | C 14.870 | D 4.500 | G 0.472 | J 1.968 |
| K 1.850 | O 8.890 | P 8.858 | ES 1.968 | S 0.250 |
| N-W 2.750 | U 1.125 | R 0.984 | AB 8.346 | AA NPT 3/4" |
| d1 A 4 | | | | |