



Dealers Industrial Equipment

No.:

Date: 12-SEP-2016

Customer :

TECHNICAL PROPOSAL

Three-phase induction motor - Squirrel cage rotor

Product line : Three-Phase : Rolled Steel Motor - NEMA Premium Efficiency

Catalog Number : 00318ET3HRS182T

List Price : \$>(discontinued)

Notes:

Downloaded from <http://dealerselectric.com>

Generated for Model #00318ET3HRS182T

Performed by:

Checked:



Dealers Industrial Equipment

No.:

Date: 12-SEP-2016

DATA SHEET Three-phase induction motor - Squirrel cage rotor

Customer :
 Product line : Three-Phase : Rolled Steel Motor - NEMA Premium Efficiency

Frame : 182T
 Output : 3 HP
 Frequency : 60 Hz
 Poles : 4
 Full load speed : 1760 rpm
 Slip : 2.22 %
 Voltage : 575 V
 Rated current : 3.13 A
 Locked rotor current : 25.0 A
 Locked rotor current (I_L/I_n) : 8.0
 No-load current : 1.64 A
 Full load torque : 8.83 lb.ft
 Locked rotor torque : 250 %
 Breakdown torque : 320 %
 Design : B
 Insulation class : F
 Temperature rise : 80 K
 Locked rotor time : 33 s (hot)
 Service factor : 1.15
 Duty cycle : S1
 Ambient temperature : -20°C - +40°C
 Altitude : 1000 m
 Degree of Protection : IP55
 Approximate weight : 76 lb
 Moment of inertia : 0.34954 sq.ft.lb
 Noise level : ---

	D.E.	N.D.E.	Load	Power factor	Efficiency (%)
Bearings	6206 ZZ	6206 ZZ	100%	0.79	89.5
Regreasing interval	---	---	75%	0.72	89.5
Grease amount	---	---	50%	0.60	87.5

Notes:
 Downloaded from <http://dealerselectric.com>
 Generated for Model #00318ET3HRS182T

Performed by

Checked



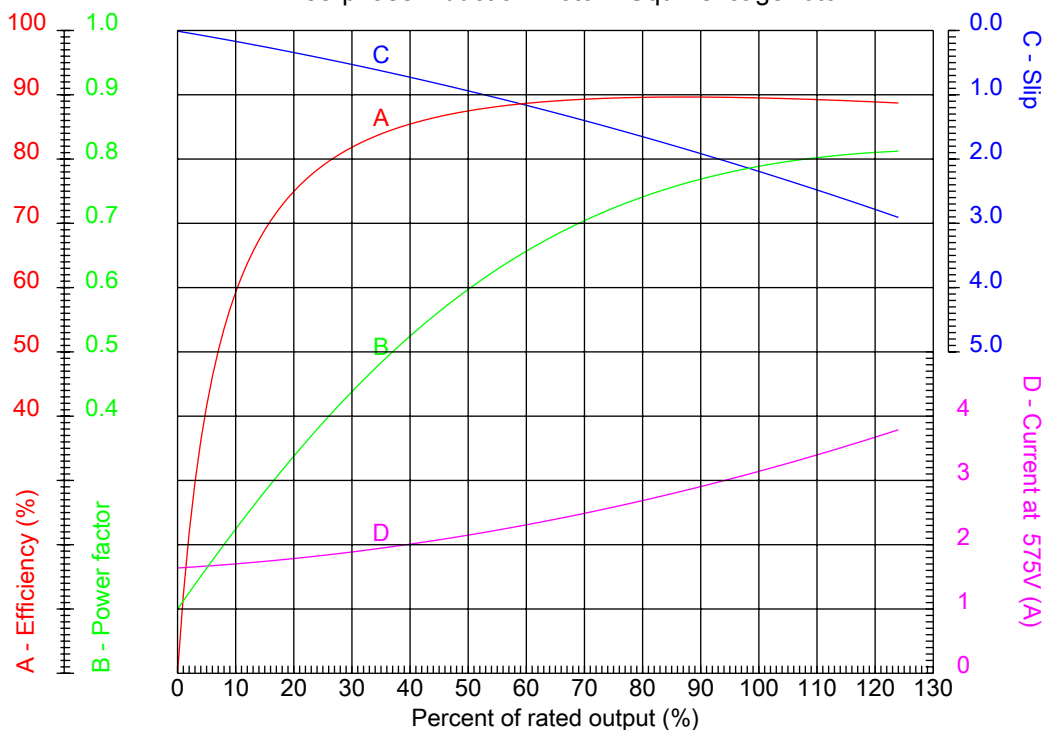
Dealers Industrial Equipment

No.:

Date: 12-SEP-2016

PERFORMANCE CURVES RELATED TO RATED OUTPUT

Three-phase induction motor - Squirrel cage rotor



Customer :
 Product line : Three-Phase : Rolled Steel Motor - NEMA Premium Efficiency

Frame : 182T	Locked rotor current (I _l /I _n) : 8.0
Output : 3 HP	Duty cycle : S1
Frequency : 60 Hz	Service factor : 1.15
Full load speed : 1760 rpm	Design : B
Voltage : 575 V	Locked rotor torque : 250 %
Rated current : 3.13 A	Breakdown torque : 320 %
Insulation class : F	

Notes:
 Downloaded from <http://dealerselectric.com>
 Generated for Model #00318ET3HRS182T

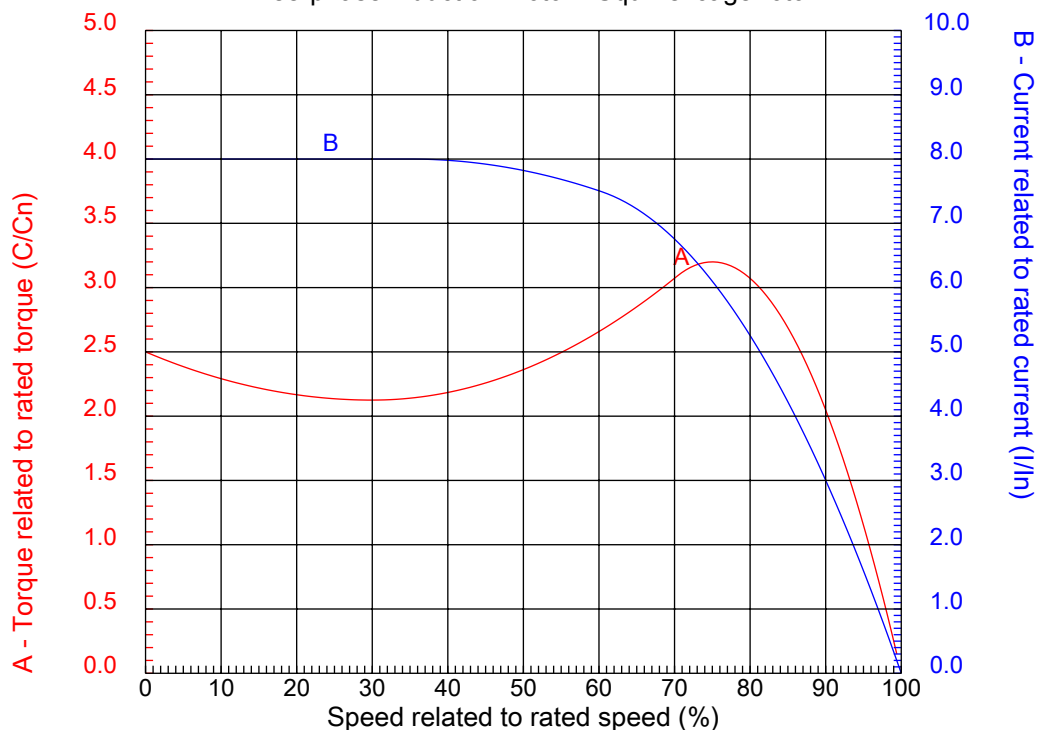
Performed by

Checked



CHARACTERISTIC CURVES RELATED TO SPEED

Three-phase induction motor - Squirrel cage rotor



Customer :
Product line : Three-Phase : Rolled Steel Motor - NEMA Premium Efficiency

Frame	: 182T	Locked rotor current (I _l /I _n)	: 8.0
Output	: 3 HP	Duty cycle	: S1
Frequency	: 60 Hz	Service factor	: 1.15
Full load speed	: 1760 rpm	Design	: B
Voltage	: 575 V	Locked rotor torque	: 250 %
Rated current	: 3.13 A	Breakdown torque	: 320 %
Insulation class	: F		

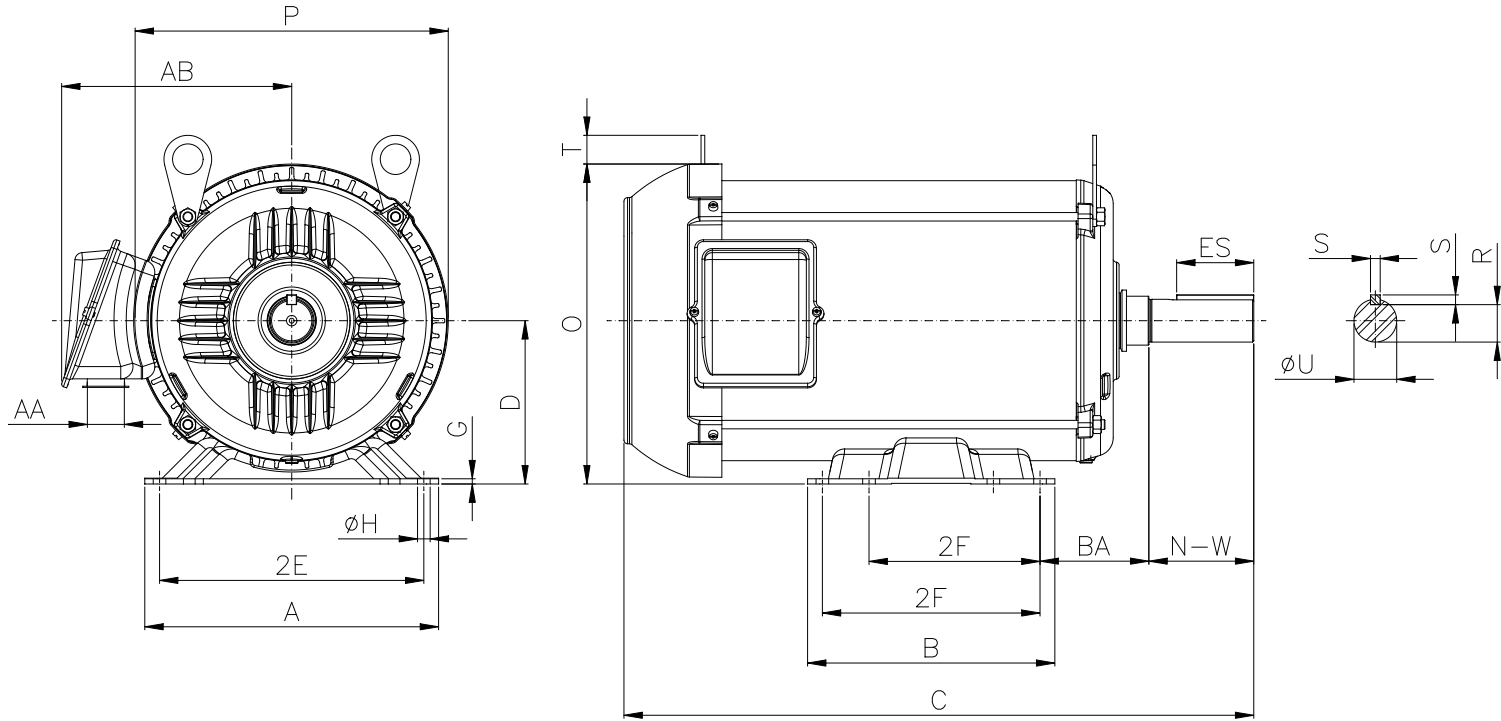
Notes:
Downloaded from <http://dealerselectric.com>
Generated for Model #00318ET3HRS182T

Performed by

Checked

1 2 3 4 5 6 7 8

A
B
C
D
E
F



Notes: Downloaded from <http://dealerselectric.com>
Generated for Model #00318ET3HRS182T

Performed by:

Checked:

Customer:

Three-Phase : Rolled Steel Motor - NEMA Premium Efficiency

2E 7.500	A 8.661	P 8.694	AB 6.353	2F 4.500/5.500
B 6.299	BA 2.750	U 1.125	N-W 2.750	ES 1.969
S 0.250	R 0.984	depth 0.250	D 4.500	G 0.167
O 8.847	T 0.902	H 0.406	C 16.404	d1 A 4
d2 A 4				

Three-phase induction motor
Frame 182T - IP55

12-SEP-2016



1 2 3 4 5 6 7 8

A

B

C

D

E

F



Notes: Downloaded from <http://dealerselectric.com>
Generated for Model #00318ET3HRS182T

Performed by:

Checked:

Customer:

Three-Phase : Rolled Steel Motor - NEMA Premium Efficiency

Three-phase induction motor
Frame 182T - IP55

12-SEP-2016

