



# Dealers Industrial Equipment

No.:

Date: 12-SEP-2016

Customer :

## TECHNICAL PROPOSAL

### Three-phase induction motor - Squirrel cage rotor

Product line : W22 Cooling Tower Motors: NEMA Premium - TEFC

Catalog Number : 00318ET3HCT182TF1-W2

List Price : \$781

#### Notes:

Downloaded from <http://dealerselectric.com>

Generated for Model #00318ET3HCT182TF1-W2

Performed by:

Checked:



Dealers Industrial Equipment

No.:

Date: 12-SEP-2016

### DATA SHEET Three-phase induction motor - Squirrel cage rotor

Customer :  
Product line : W22 Cooling Tower Motors: NEMA Premium - TEFC

Frame : 182T  
Output : 3 HP  
Frequency : 60 Hz  
Poles : 4  
Full load speed : 1760 rpm  
Slip : 2.22 %  
Voltage : 575 V  
Rated current : 3.13 A  
Locked rotor current : 25.3 A  
Locked rotor current (I<sub>L</sub>/I<sub>n</sub>) : 8.1  
No-load current : 1.60 A  
Full load torque : 8.83 lb.ft  
Locked rotor torque : 230 %  
Breakdown torque : 340 %  
Design : B  
Insulation class : F  
Temperature rise : 80 K  
Locked rotor time : 23 s (hot)  
Service factor : 1.25  
Duty cycle : S1  
Ambient temperature : -20°C - +40°C  
Altitude : 1000 m  
Degree of Protection : IP55  
Approximate weight : 90 lb  
Moment of inertia : 0.34005 sq.ft.lb  
Noise level : 56 dB(A)

|                     | D.E.     | N.D.E.   |
|---------------------|----------|----------|
| Bearings            | 6207 2RS | 6206 2RS |
| Regreasing interval | ---      | ---      |
| Grease amount       | ---      | ---      |

| Load | Power factor | Efficiency (%) |
|------|--------------|----------------|
| 100% | 0.79         | 89.5           |
| 75%  | 0.73         | 88.5           |
| 50%  | 0.61         | 87.5           |

Notes:  
Downloaded from <http://dealerselectric.com>  
Generated for Model #00318ET3HCT182TF1-W2

Performed by

Checked



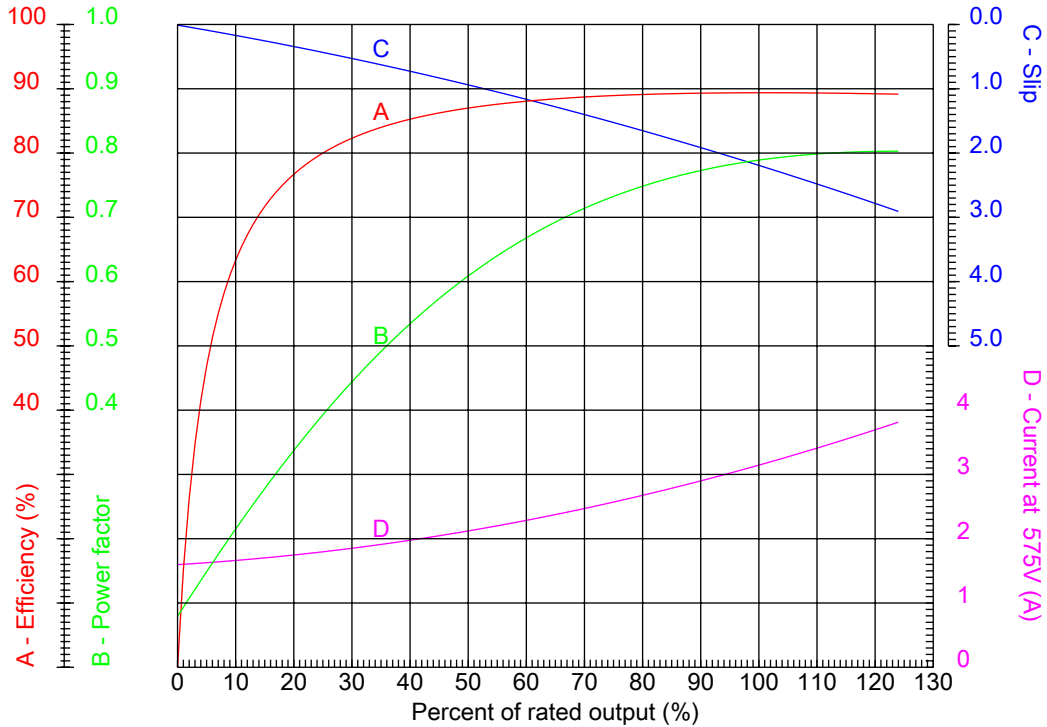
# Dealers Industrial Equipment

No.:

Date: 12-SEP-2016

## PERFORMANCE CURVES RELATED TO RATED OUTPUT

Three-phase induction motor - Squirrel cage rotor



Customer :  
 Product line : W22 Cooling Tower Motors: NEMA Premium - TEFC

|                  |            |  |         |
|------------------|------------|--|---------|
| Frame            | : 182T     | Locked rotor current (I <sub>l</sub> /I <sub>n</sub> ) | : 8.1   |
| Output           | : 3 HP     | Duty cycle   | : S1    |
| Frequency        | : 60 Hz    | Service factor   | : 1.25  |
| Full load speed  | : 1760 rpm | Design   | : B     |
| Voltage          | : 575 V    | Locked rotor torque                                    | : 230 % |
| Rated current    | : 3.13 A   | Breakdown torque                                       | : 340 % |
| Insulation class | : F        |  |         |

Notes:  
 Downloaded from <http://dealerselectric.com>  
 Generated for Model #00318ET3HCT182TF1-W2

Performed by

Checked



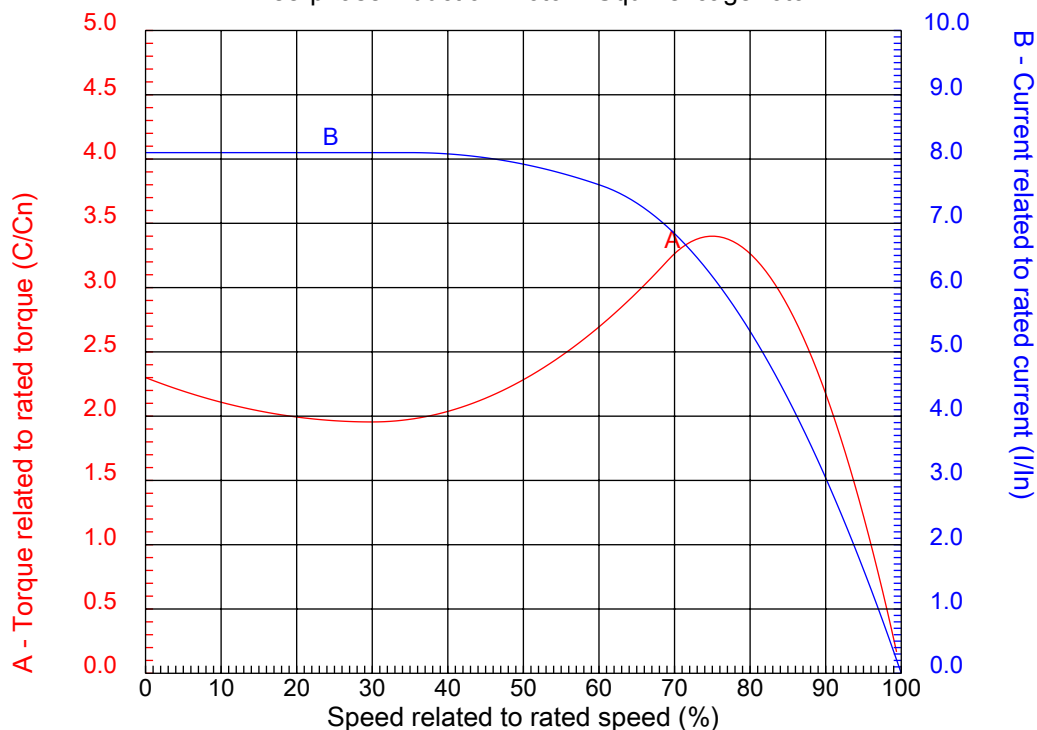
# Dealers Industrial Equipment

No.:

Date: 12-SEP-2016

## CHARACTERISTIC CURVES RELATED TO SPEED

Three-phase induction motor - Squirrel cage rotor



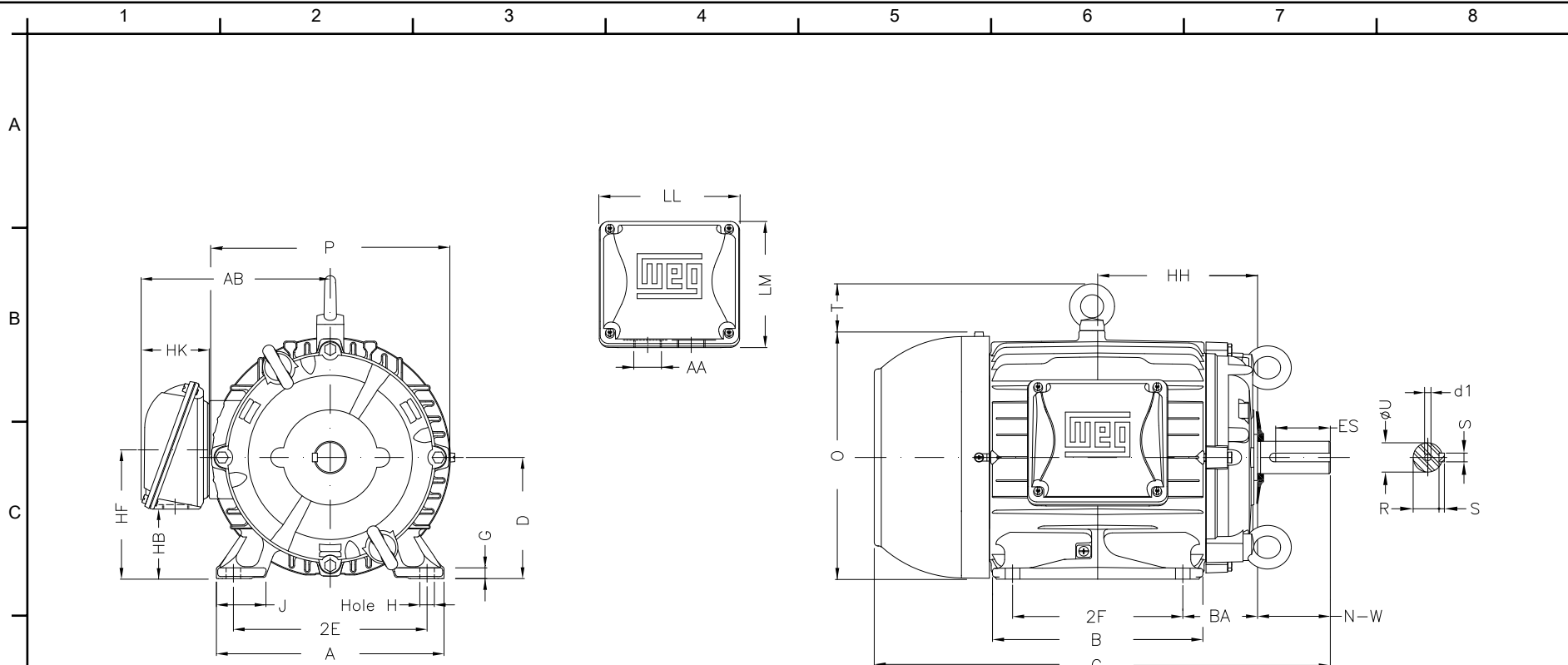
Customer :  
Product line : W22 Cooling Tower Motors: NEMA Premium - TEFC

|                  |            |  |         |
|------------------|------------|--|---------|
| Frame            | : 182T     | Locked rotor current (I <sub>l</sub> /I <sub>n</sub> ) | : 8.1   |
| Output           | : 3 HP     | Duty cycle   | : S1    |
| Frequency        | : 60 Hz    | Service factor   | : 1.25  |
| Full load speed  | : 1760 rpm | Design   | : B     |
| Voltage          | : 575 V    | Locked rotor torque                                    | : 230 % |
| Rated current    | : 3.13 A   | Breakdown torque                                       | : 340 % |
| Insulation class | : F        |  |         |

Notes:  
Downloaded from <http://dealerselectric.com>  
Generated for Model #00318ET3HCT182TF1-W2

Performed by

Checked



Notes: Downloaded from <http://dealerselectric.com>  
 Generated for Model #00318ET3HCT182TF1-W2

Performed by:

Checked:

Customer:

W22 Cooling Tower Motors: NEMA Premium - TEFC

Three-phase induction motor  
 Frame 182T - IP55

12-SEP-2016



|       |        |       |        |       |
|-------|--------|-------|--------|-------|
| 2E    | J      | A     | P      | AB    |
| 7.500 | 1.614  | 8.661 | 8.504  | 7.565 |
| 2F    | B      | BA    | U      | N-W   |
| 4.500 | 5.945  | 2.750 | 1.125  | 2.750 |
| ES    | S      | R     | depth  | D     |
| 1.969 | 0.250  | 0.984 | 0.250  | 4.500 |
| G     | HB     | O     | T      | HF    |
| 0.394 | 2.236  | 9.343 | 1.772  | 4.500 |
| HH    | HK     | H     | C      | LL    |
| 5.000 | 3.150  | 0.406 | 14.860 | 5.512 |
| LM    | AA     | d1    | d2     |       |
| 5.236 | NPT 1" | A 4   | A 4    |       |

1 2 3 4 5 6 7 8

A  
B  
C  
D  
E  
F

### RUN



### ONLY FOR START



|   |             |  |
|---|-------------|--|
| Notes: Downloaded from <a href="http://dealerselectric.com">http://dealerselectric.com</a><br>Generated for Model #00318ET3HCT182TF1-W2 |             |  |
| Performed by:   |             |  |
| Checked:  |             |  |
| Customer:   |             |  |
| W22 Cooling Tower Motors: NEMA Premium - TEFC   |             |  |
| Three-phase induction motor<br>Frame 182T - IP55  | 12-SEP-2016 |  |