



Dealers Industrial Equipment

No.:

Date: 12-SEP-2016

Customer :

TECHNICAL PROPOSAL

Three-phase induction motor - Squirrel cage rotor

Product line : W22 Cooling Tower Motors: NEMA Premium - TEFC

Catalog Number : 00318ET3ECT182TF1-W2

List Price : \$781

Notes:

Downloaded from <http://dealerselectric.com>

Generated for Model #00318ET3ECT182TF1-W2

Performed by:

Checked:



Dealers Industrial Equipment

No.:

Date: 12-SEP-2016

DATA SHEET Three-phase induction motor - Squirrel cage rotor

Customer :
Product line : W22 Cooling Tower Motors: NEMA Premium - TEFC

Frame : 182T
Output : 3 HP
Frequency : 60 Hz
Poles : 4
Full load speed : 1760 rpm
Slip : 2.22 %
Voltage : 208-230/460 V
Rated current : 8.65-7.82/3.91 A
Locked rotor current : 63.3/31.7 A
Locked rotor current (I_L/I_n) : 8.1
No-load current : 4.00/2.00 A
Full load torque : 8.83 lb.ft
Locked rotor torque : 230 %
Breakdown torque : 340 %
Design : B
Insulation class : F
Temperature rise : 80 K
Locked rotor time : 23 s (hot)
Service factor : 1.25
Duty cycle : S1
Ambient temperature : -20°C - +40°C
Altitude : 1000 m
Degree of Protection : IP55
Approximate weight : 90 lb
Moment of inertia : 0.34005 sq.ft.lb
Noise level : 56 dB(A)

	D.E.	N.D.E.
Bearings	6207 2RS	6206 2RS
Regreasing interval	---	---
Grease amount	---	---

Load	Power factor	Efficiency (%)
100%	0.79	89.5
75%	0.73	88.5
50%	0.61	87.5

Notes:
Downloaded from <http://dealerselectric.com>
Generated for Model #00318ET3ECT182TF1-W2

Performed by

Checked



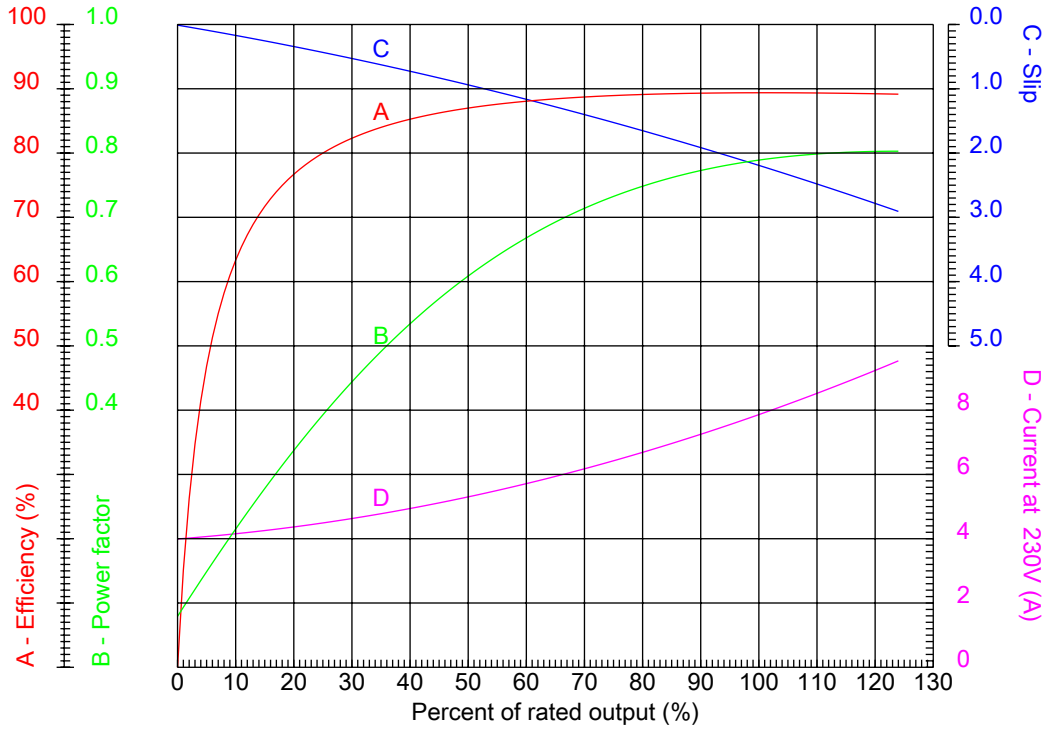
Dealers Industrial Equipment

No.:

Date: 12-SEP-2016

PERFORMANCE CURVES RELATED TO RATED OUTPUT

Three-phase induction motor - Squirrel cage rotor



Customer :
Product line : W22 Cooling Tower Motors: NEMA Premium - TEFC

Frame	: 182T	Locked rotor current (I _l /I _n)	: 8.1
Output	: 3 HP	Duty cycle	: S1
Frequency	: 60 Hz	Service factor	: 1.25
Full load speed	: 1760 rpm	Design	: B
Voltage	: 208-230/460 V	Locked rotor torque	: 230 %
Rated current	: 8.65-7.82/3.91 A	Breakdown torque	: 340 %
Insulation class	: F		

Notes:
Downloaded from <http://dealerselectric.com>
Generated for Model #00318ET3ECT182TF1-W2

Performed by

Checked



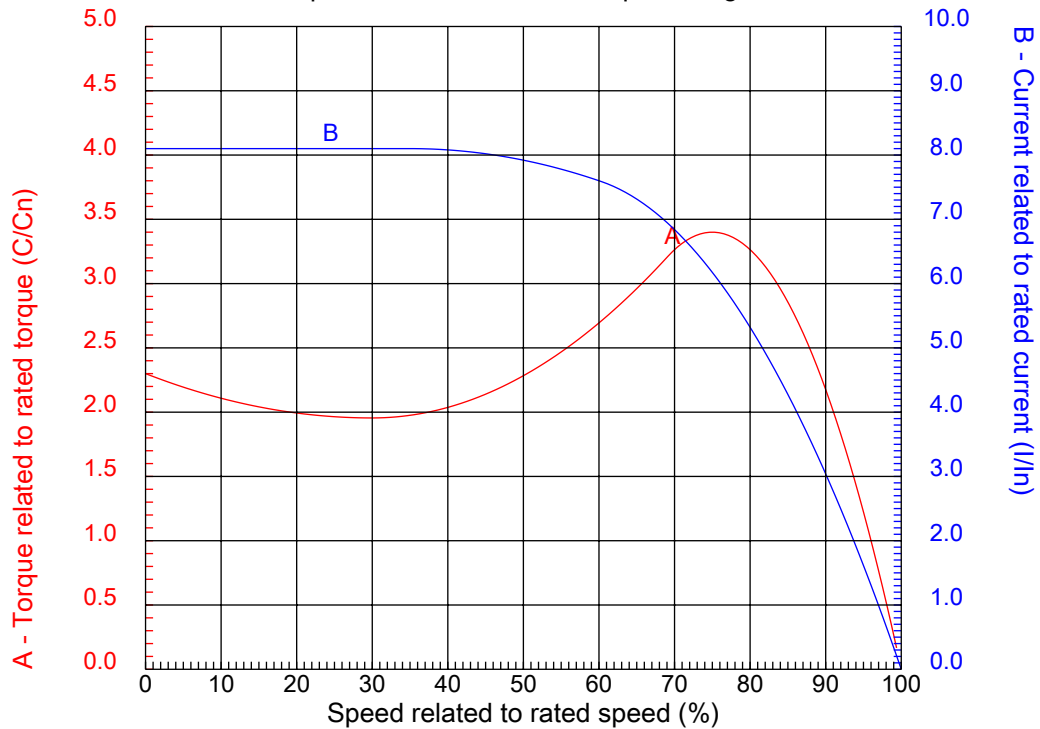
Dealers Industrial Equipment

No.:

Date: 12-SEP-2016

CHARACTERISTIC CURVES RELATED TO SPEED

Three-phase induction motor - Squirrel cage rotor



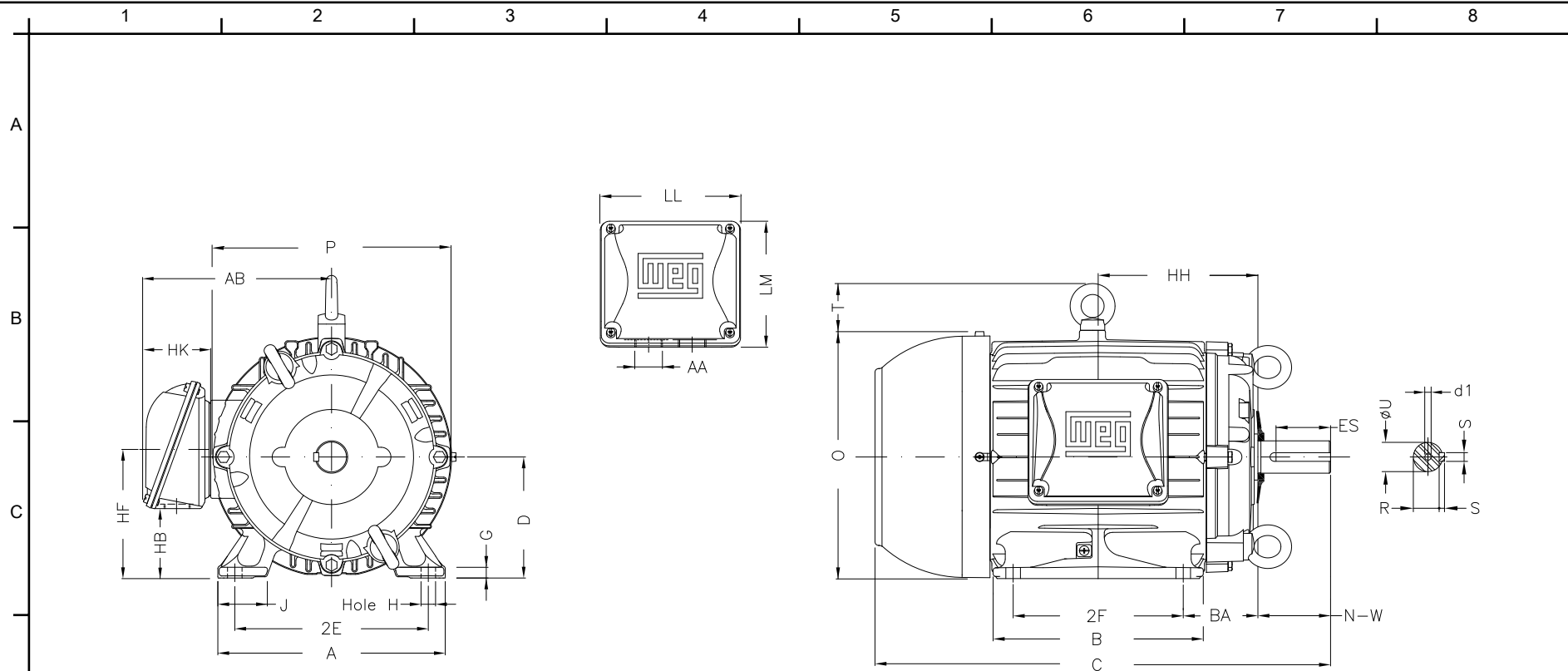
Customer :
Product line : W22 Cooling Tower Motors: NEMA Premium - TEFC

Frame	: 182T	Locked rotor current (I _l /I _n)	: 8.1
Output	: 3 HP	Duty cycle	: S1
Frequency	: 60 Hz	Service factor	: 1.25
Full load speed	: 1760 rpm	Design	: B
Voltage	: 208-230/460 V	Locked rotor torque	: 230 %
Rated current	: 8.65-7.82/3.91 A	Breakdown torque	: 340 %
Insulation class	: F		

Notes:
Downloaded from <http://dealerselectric.com>
Generated for Model #00318ET3ECT182TF1-W2

Performed by

Checked



Notes: Downloaded from <http://dealerselectric.com>
 Generated for Model #00318ET3ECT182TF1-W2

Performed by:

Checked:

Customer:

W22 Cooling Tower Motors: NEMA Premium - TEFC

Three-phase induction motor
 Frame 182T - IP55

12-SEP-2016



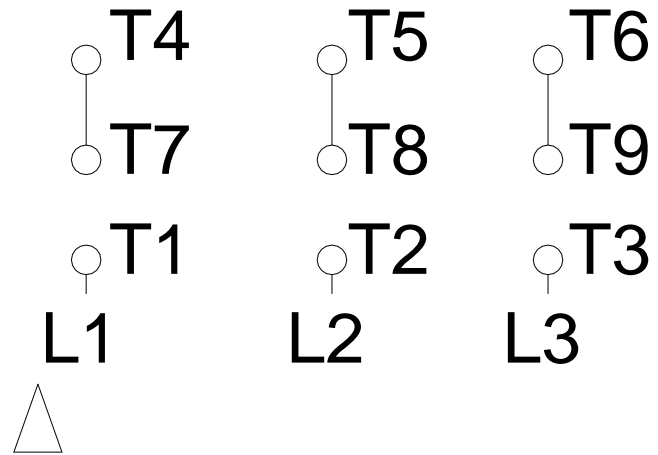
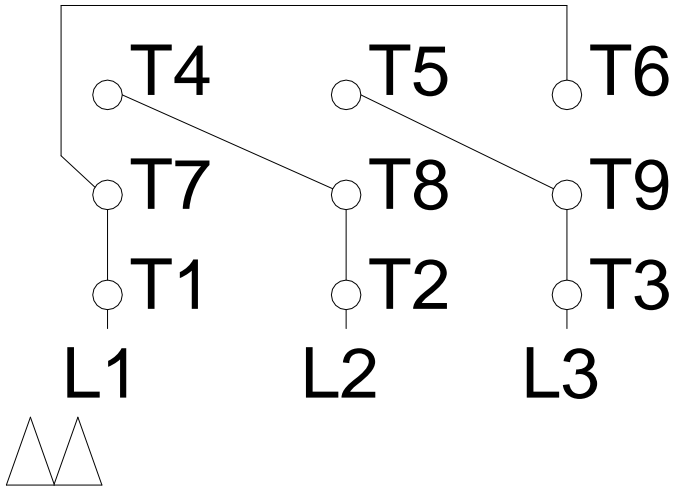
2E	J	A	P	AB
7.500	1.614	8.661	8.504	7.565
2F	B	BA	U	N-W
4.500	5.945	2.750	1.125	2.750
ES	S	R	depth	D
1.969	0.250	0.984	0.250	4.500
G	HB	O	T	HF
0.394	2.236	9.343	1.772	4.500
HH	HK	H	C	LL
5.000	3.150	0.406	14.860	5.512
LM	AA	d1	d2	
5.236	NPT 1"	A 4	A 4	

1 2 3 4 5 6 7 8

LOW VOLTAGE

HIGH VOLTAGE

A
B
C
D
E
F



Notes: Downloaded from <http://dealerselectric.com>
Generated for Model #00318ET3ECT182TF1-W2

Performed by:

Checked:

Customer:

W22 Cooling Tower Motors: NEMA Premium - TEFC

Three-phase induction motor
Frame 182T - IP55

12-SEP-2016

