



Dealers Industrial Equipment

No.:

Date: 12-SEP-2016

Customer :

TECHNICAL PROPOSAL

Three-phase induction motor - Squirrel cage rotor

Product line : Three Phase: W01 (Rolled Steel) - TEFC - NEMA Premium Efficiency

Catalog Number : 00318ET3E182TF2-S

List Price : \$577

Notes:

Downloaded from <http://dealerselectric.com>

Generated for Model #00318ET3E182TF2-S

Performed by:

Checked:



Dealers Industrial Equipment

No.:

Date: 12-SEP-2016

DATA SHEET

Three-phase induction motor - Squirrel cage rotor

Customer :
 Product line : Three Phase: W01 (Rolled Steel) - TEFC - NEMA Premium Efficiency

Frame : 182/4T
 Output : 3 HP
 Frequency : 60 Hz
 Poles : 4
 Full load speed : 1765 rpm
 Slip : 1.94 %
 Voltage : 208-230/460 V
 Rated current : 8.43-7.62/3.81 A
 Locked rotor current : 67.1/33.5 A
 Locked rotor current (I_L/I_n) : 8.8
 No-load current : 4.00/2.00 A
 Full load torque : 8.81 lb.ft
 Locked rotor torque : 220 %
 Breakdown torque : 300 %
 Design : B
 Insulation class : F
 Temperature rise : 80 K
 Locked rotor time : 18 s (hot)
 Service factor : 1.15
 Duty cycle : S1
 Ambient temperature : -20°C - +40°C
 Altitude : 1000 m
 Degree of Protection : IP55
 Approximate weight : 80 lb
 Moment of inertia : 0.40175 sq.ft.lb
 Noise level : 56 dB(A)

| | D.E. | N.D.E. |
|---------------------|---------|---------|
| Bearings | 6206 ZZ | 6205 ZZ |
| Regreasing interval | --- | --- |
| Grease amount | --- | --- |

| Load | Power factor | Efficiency (%) |
|------|--------------|----------------|
| 100% | 0.81 | 89.5 |
| 75% | 0.74 | 88.5 |
| 50% | 0.61 | 87.5 |

Notes:
 Downloaded from <http://dealerselectric.com>
 Generated for Model #00318ET3E182TF2-S

Performed by

Checked



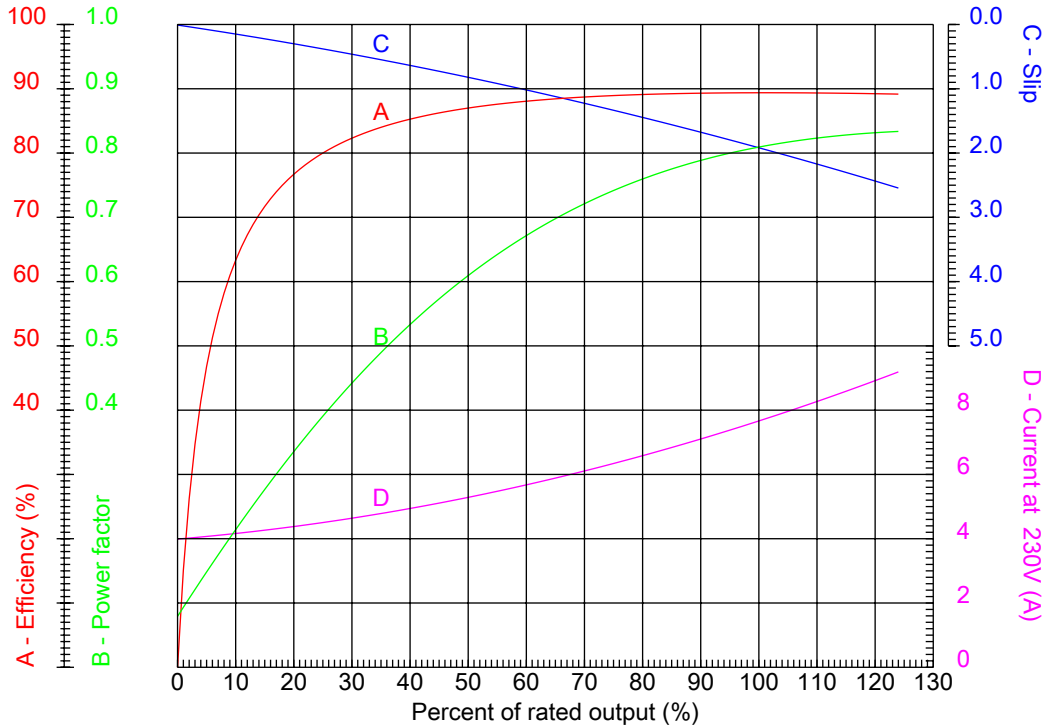
Dealers Industrial Equipment

No.:

Date: 12-SEP-2016

PERFORMANCE CURVES RELATED TO RATED OUTPUT

Three-phase induction motor - Squirrel cage rotor



Customer :
Product line : Three Phase: W01 (Rolled Steel) - TEFC - NEMA Premium Efficiency

| | | | |
|------------------|--------------------|--|---------|
| Frame | : 182/4T | Locked rotor current (I _l /I _n) | : 8.8 |
| Output | : 3 HP | Duty cycle | : S1 |
| Frequency | : 60 Hz | Service factor | : 1.15 |
| Full load speed | : 1765 rpm | Design | : B |
| Voltage | : 208-230/460 V | Locked rotor torque | : 220 % |
| Rated current | : 8.43-7.62/3.81 A | Breakdown torque | : 300 % |
| Insulation class | : F | | |

Notes:
Downloaded from <http://dealerselectric.com>
Generated for Model #00318ET3E182TF2-S

Performed by

Checked



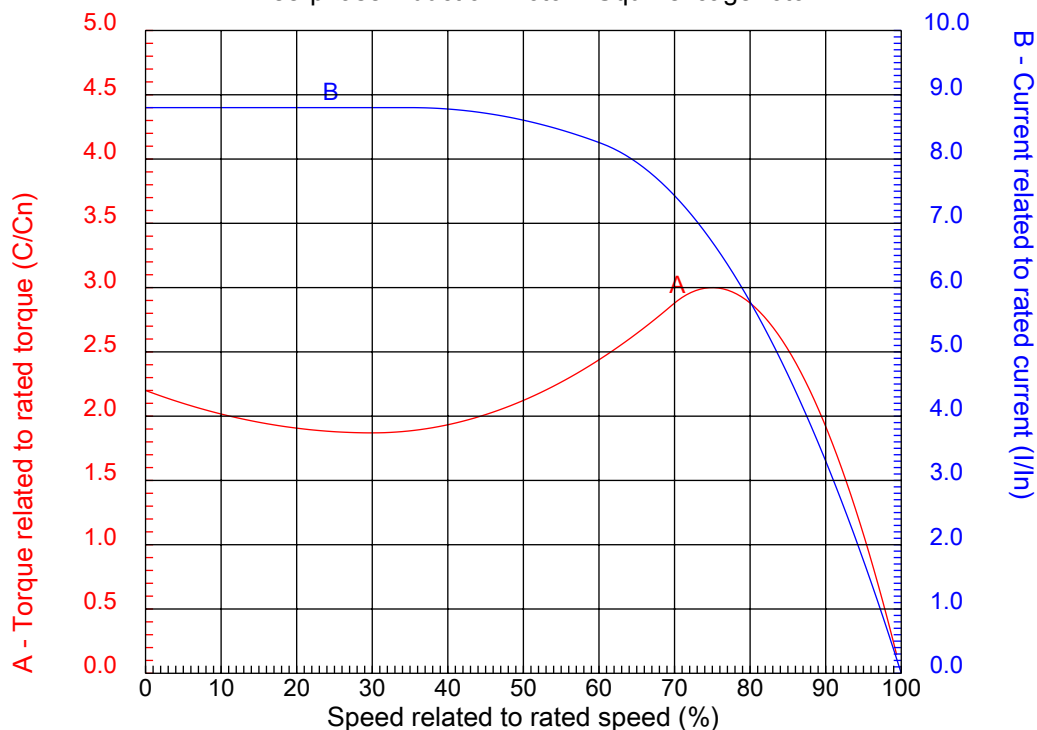
Dealers Industrial Equipment

No.:

Date: 12-SEP-2016

CHARACTERISTIC CURVES RELATED TO SPEED

Three-phase induction motor - Squirrel cage rotor



Customer :
Product line : Three Phase: W01 (Rolled Steel) - TEFC - NEMA Premium Efficiency

| | | | |
|------------------|--------------------|--|---------|
| Frame | : 182/4T | Locked rotor current (I _l /I _n) | : 8.8 |
| Output | : 3 HP | Duty cycle | : S1 |
| Frequency | : 60 Hz | Service factor | : 1.15 |
| Full load speed | : 1765 rpm | Design | : B |
| Voltage | : 208-230/460 V | Locked rotor torque | : 220 % |
| Rated current | : 8.43-7.62/3.81 A | Breakdown torque | : 300 % |
| Insulation class | : F | | |

Notes:
Downloaded from <http://dealerselectric.com>
Generated for Model #00318ET3E182TF2-S

Performed by

Checked

1 2 3 4 5 6 7 8

A

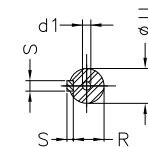
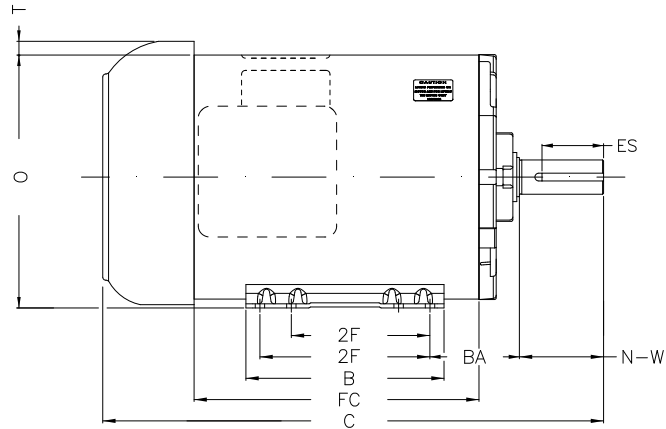
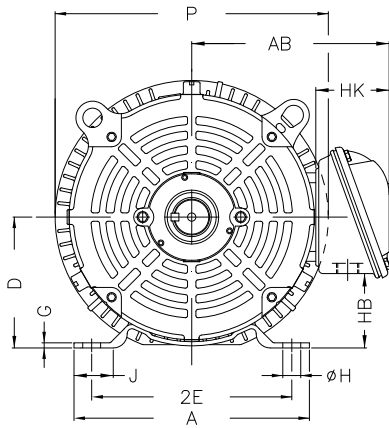
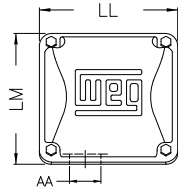
B

C

D

E

F



Notes: Downloaded from <http://dealerselectric.com>
Generated for Model #00318ET3E182TF2-S

Performed by:

Checked:

Customer:

Three Phase: W01 (Rolled Steel) - TEFC - NEMA Premium Efficiency

Three-phase induction motor
Frame 182/4T - IP55

12-SEP-2016



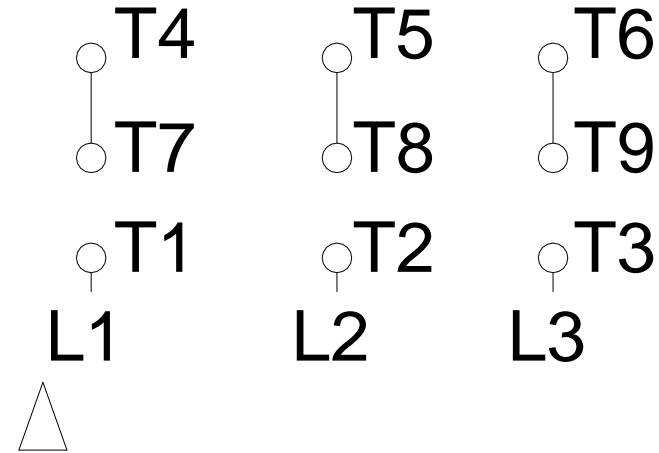
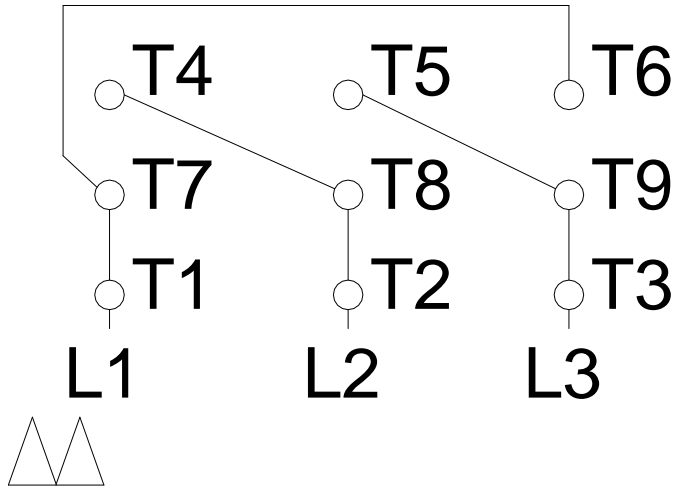
| | | | | |
|-------|--------|-------------|--------|--------|
| P | AB | J | 2E | A |
| 9.435 | 6.696 | 1.299 | 7.500 | 8.661 |
| H | G | HB | HK | T |
| 0.406 | 0.167 | 2.784 | 2.629 | 0.661 |
| O | FC | 2F | B | C |
| 8.557 | 10.236 | 4.500/5.500 | 6.299 | 17.913 |
| BA | N-W | ES | d1 | S |
| 2.750 | 2.750 | 1.969 | A 3,15 | 0.250 |
| U | AA | depth | R | LL |
| 1.125 | 1.118" | 0.250 | 0.984 | 4.563 |
| LM | BB | D | CH | |
| 4.090 | 0.661 | 4.500 | 1.377 | |

1 2 3 4 5 6 7 8

LOW VOLTAGE

HIGH VOLTAGE

A
B
C
D
E
F



| | | |
|--|-------------|--|
| Notes: Downloaded from http://dealerselectric.com Generated for Model #00318ET3E182TF2-S | | |
| Performed by: | | |
| Checked: | | |
| Customer: | | |
| Three Phase: W01 (Rolled Steel) - TEFC - NEMA Premium Efficiency | | |
| Three-phase induction motor Frame 182/4T - IP55 | 12-SEP-2016 | |