



Dealers Industrial Equipment

No.:

Date: 12-SEP-2016

Customer :

TECHNICAL PROPOSAL

Single-phase induction motor - Squirrel cage rotor

Product line : Close Coupled Pump : Single-Phase - "JM" Type - TEFC - Standard Efficiency

Catalog Number : 00318ES1E184JM

List Price : \$1,182

Notes:

Downloaded from <http://dealerselectric.com>

Generated for Model #00318ES1E184JM

Performed by:

Checked:



Dealers Industrial Equipment

No.:

Date: 12-SEP-2016

DATA SHEET Single-phase induction motor - Squirrel cage rotor

Customer :
 Product line : Close Coupled Pump : Single-Phase - "JM" Type - TEFC - Standard Efficiency

Frame : 184JM
 Output : 3 HP
 Frequency : 60 Hz
 Poles : 4
 Full load speed : 1730 rpm
 Slip : 3.89 %
 Voltage : 208-230/460 V
 Rated current : 15.6-14.1/7.05 A
 Locked rotor current : 98.7/49.3 A
 Locked rotor current (I_L/I_n) : 7.0
 No-load current : 6.90/3.45 A
 Full load torque : 8.98 lb.ft
 Locked rotor torque : 280 %
 Breakdown torque : 230 %
 Design : ---
 Insulation class : F
 Temperature rise : 80 K
 Locked rotor time : 6 s (hot)
 Service factor : 1.15
 Duty cycle : S1
 Ambient temperature : -20°C - +40°C
 Altitude : 1000 m
 Degree of Protection : IP55
 Approximate weight : 97 lb
 Moment of inertia : 0.31086 sq.ft.lb
 Noise level : ---

	D.E.	N.D.E.	Load	Power factor	Efficiency (%)
Bearings	6307 ZZ	6206 ZZ	100%	0.88	77.0
Regreasing interval	---	---	75%	0.85	74.0
Grease amount	---	---	50%	0.75	67.0

Notes:
 Downloaded from <http://dealerselectric.com>
 Generated for Model #00318ES1E184JM

Performed by

Checked



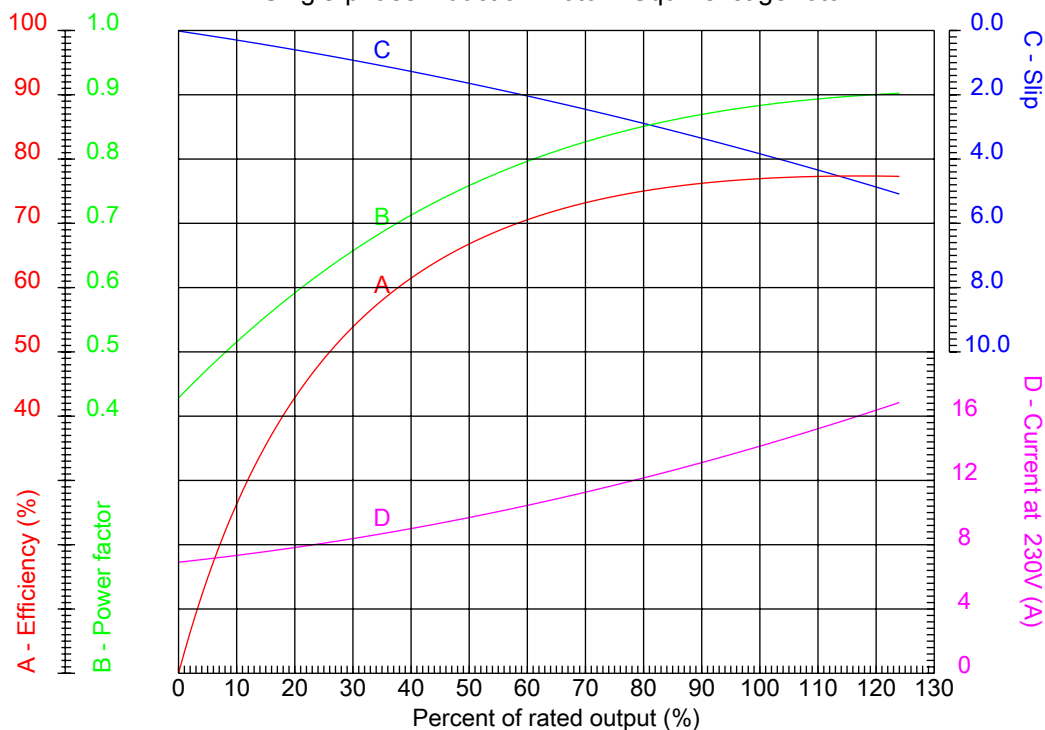
Dealers Industrial Equipment

No.:

Date: 12-SEP-2016

PERFORMANCE CURVES RELATED TO RATED OUTPUT

Single-phase induction motor - Squirrel cage rotor



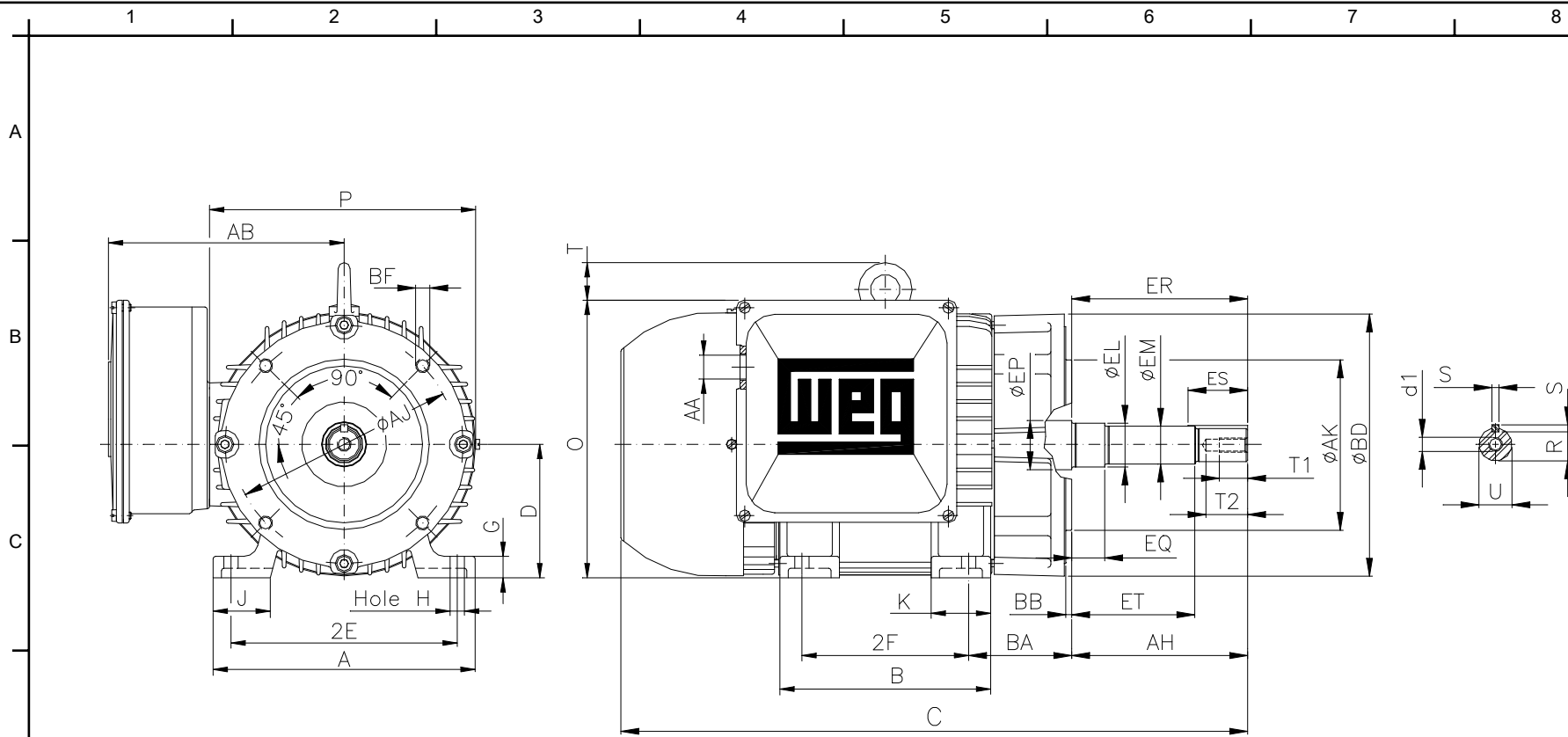
Customer :
 Product line : Close Coupled Pump : Single-Phase - "JM" Type - TEFC - Standard Efficiency

Frame	: 184JM	Locked rotor current (I _l /I _n)	: 7.0
Output	: 3 HP	Duty cycle	: S1
Frequency	: 60 Hz	Service factor	: 1.15
Full load speed	: 1730 rpm	Design	: ---
Voltage	: 208-230/460 V	Locked rotor torque	: 280 %
Rated current	: 15.6-14.1/7.05 A	Breakdown torque	: 230 %
Insulation class	: F		

Notes:
 Downloaded from <http://dealerselectric.com>
 Generated for Model #00318ES1E184JM

Performed by

Checked



Notes: Downloaded from <http://dealerselectric.com>
 Generated for Model #00318ES1E184JM

2E	2F	H	BA	A
7.500	5.500	0.406	2.756	8.661
B	D	G	J	K
6.969	4.500	0.799	1.890	1.969
O	P	AB	AA	ER
9.343	8.740	7.835	NPT 1"	4.258
EQ	ET	U	EM	EL
0.630	2.880	0.874	1.000	1.250
EP	S	R	ES	d1
1.376	0.187	0.767	1.575	EUNC 3/8"-16
t1	t2	C	Flange	AJ
0.748	1.102	17.368	FC-149	5.874
AK	BD	BF	BB	AH
4.500	6.496	UNC 3/8"x16	0.157	4.258

Performed by:
 Checked:
 Customer:
 Close Coupled Pump : Single-Phase - "JM" Type - TEFC - Standard Efficiency
 Single-phase induction motor
 Frame 184JM - IP55
 12-SEP-2016
