



Dealers Industrial Equipment

No.:

Date: 12-SEP-2016

Customer :

TECHNICAL PROPOSAL

Single-phase induction motor - Squirrel cage rotor

Product line : Farm Duty Motors : TEFC (IP55) - Single-Phase

Catalog Number : 00318ES1DFD184T

List Price : \$915

Notes:

Downloaded from <http://dealerselectric.com>

Generated for Model #00318ES1DFD184T

Performed by:

Checked:



Dealers Industrial Equipment

No.:

Date: 12-SEP-2016

DATA SHEET Single-phase induction motor - Squirrel cage rotor

Customer :
Product line : Farm Duty Motors : TEFC (IP55) - Single-Phase

Frame : W182/4T
Output : 3 HP
Frequency : 60 Hz
Poles : 4
Full load speed : 1740 rpm
Slip : 3.33 %
Voltage : 230 V
Rated current : 14.5 A
Locked rotor current : 87.0 A
Locked rotor current (I_L/I_n) : 6.0
No-load current : 6.00 A
Full load torque : 8.93 lb.ft
Locked rotor torque : 240 %
Breakdown torque : 220 %
Design : ---
Insulation class : F
Temperature rise : 80 K
Locked rotor time : 6 s (hot)
Service factor : 1.15
Duty cycle : S1
Ambient temperature : -20°C - +40°C
Altitude : 1000 m
Degree of Protection : IP55
Approximate weight : 88 lb
Moment of inertia : 0.23730 sq.ft.lb
Noise level : 54 dB(A)

	D.E.	N.D.E.
Bearings	6206 ZZ	6206 ZZ
Regreasing interval	---	---
Grease amount	---	---

Load	Power factor	Efficiency (%)
100%	0.86	81.0
75%	0.81	80.5
50%	0.73	80.0

Notes:

Downloaded from <http://dealerselectric.com>
Generated for Model #00318ES1DFD184T

Performed by

Checked



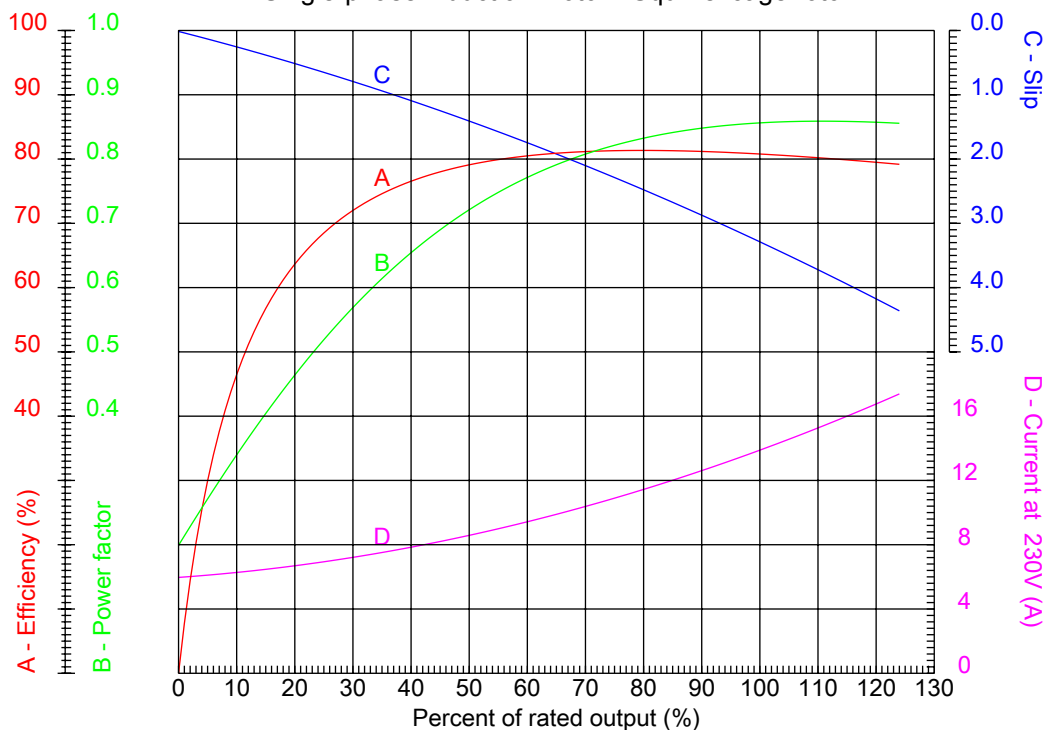
Dealers Industrial Equipment

No.:

Date: 12-SEP-2016

PERFORMANCE CURVES RELATED TO RATED OUTPUT

Single-phase induction motor - Squirrel cage rotor



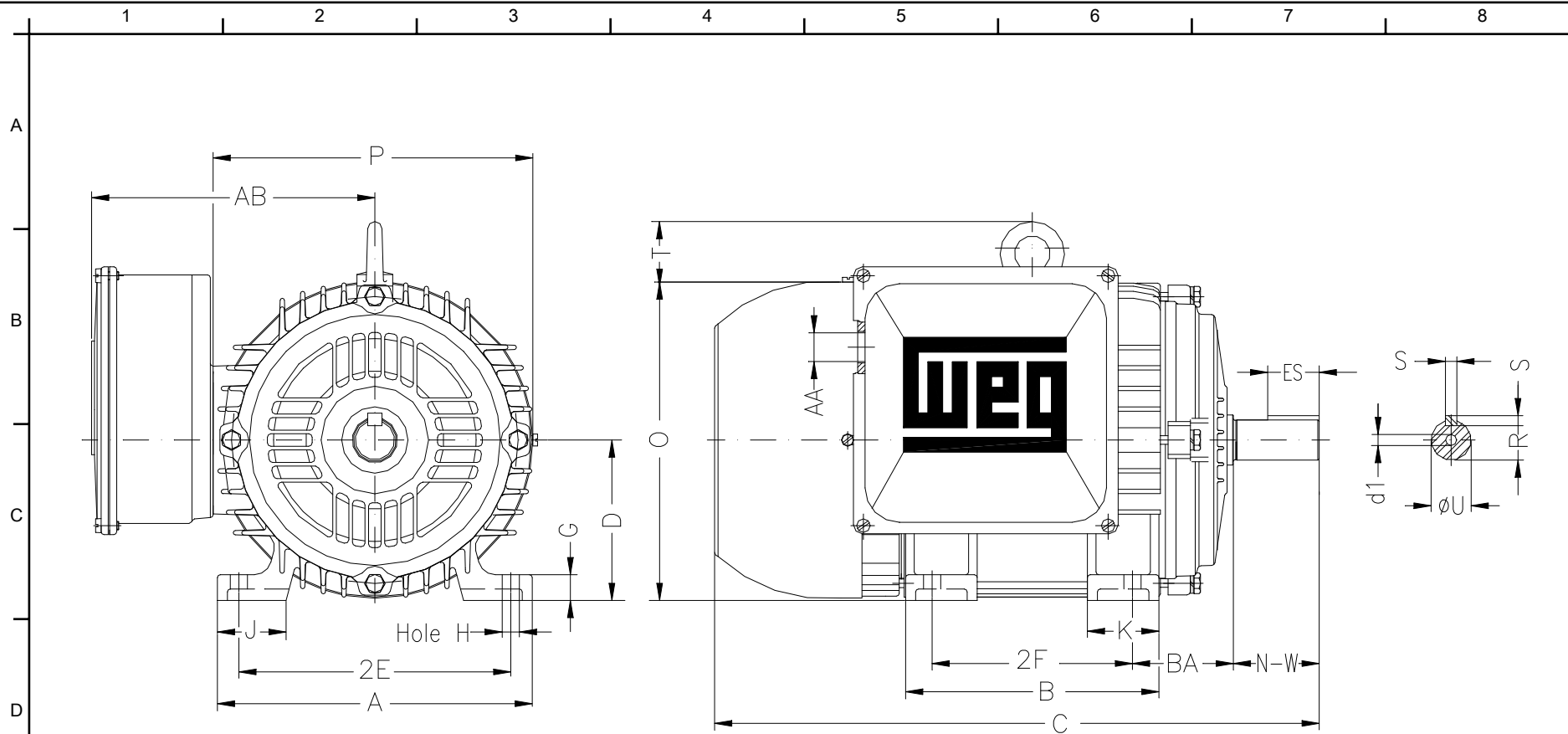
Customer :
 Product line : Farm Duty Motors : TEFC (IP55) - Single-Phase

Frame	: W182/4T	Locked rotor current (I _l /I _n)	: 6.0
Output	: 3 HP	Duty cycle	: S1
Frequency	: 60 Hz	Service factor	: 1.15
Full load speed	: 1740 rpm	Design	: ---
Voltage	: 230 V	Locked rotor torque	: 240 %
Rated current	: 14.5 A	Breakdown torque	: 220 %
Insulation class	: F		

Notes:
 Downloaded from <http://dealerselectric.com>
 Generated for Model #00318ES1DFD184T

Performed by

Checked



Notes: Downloaded from <http://dealerselectric.com>
 Generated for Model #00318ES1DFD184T

Performed by:

Checked:

Customer:

Farm Duty Motors : TEFC (IP55) - Single-Phase

2E 7.500	2F 4.500/5.500	H 0.406	BA 2.750	A 8.661
B 6.968	C 17.244	D 4.500	G 0.630	J 1.890
K 2.441	O 8.267	P 7.800	ES 1.968	S 0.250
N-W 2.750	U 1.125	R 0.984	AB 7.362	AA NPT 3/4"
d1 A4				

Single-phase induction motor
 Frame W182/4T - IP55

12-SEP-2016

