



Dealers Industrial Equipment

No.:

Date: 12-SEP-2016

Customer :

TECHNICAL PROPOSAL

Three-phase induction motor - Squirrel cage rotor

Product line : Three-Phase : Rolled Steel Motor - High Efficiency

Catalog Number : 00318EP3ERSR182TC

List Price : \$492

Notes:

Downloaded from <http://dealerselectric.com>

Generated for Model #00318EP3ERSR182TC

Performed by:

Checked:



Dealers Industrial Equipment

No.:

Date: 12-SEP-2016

DATA SHEET Three-phase induction motor - Squirrel cage rotor

Customer :
 Product line : Three-Phase : Rolled Steel Motor - High Efficiency

Frame : W182/4T
 Output : 3 HP
 Frequency : 60 Hz
 Poles : 4
 Full load speed : 1740 rpm
 Slip : 3.33 %
 Voltage : 230/460 V
 Rated current : 8.30/4.15 A
 Locked rotor current : 70.6/35.3 A
 Locked rotor current (I_L/I_n) : 8.5
 No-load current : 4.60/2.30 A
 Full load torque : 8.93 lb.ft
 Locked rotor torque : 360 %
 Breakdown torque : 400 %
 Design : B
 Insulation class : F
 Temperature rise : 80 K
 Locked rotor time : 12 s (hot)
 Service factor : 1.15
 Duty cycle : S1
 Ambient temperature : -20°C - +40°C
 Altitude : 1000 m
 Degree of Protection : IP55
 Approximate weight : 56 lb
 Moment of inertia : 0.21808 sq.ft.lb
 Noise level : ---

	D.E.	N.D.E.
Bearings	6206 ZZ	6205 ZZ
Regreasing interval	---	---
Grease amount	---	---

Load	Power factor	Efficiency (%)
100%	0.76	87.5
75%	0.67	87.5
50%	0.55	85.5

Notes:
 Downloaded from <http://dealerselectric.com>
 Generated for Model #00318EP3ERSR182TC

Performed by

Checked



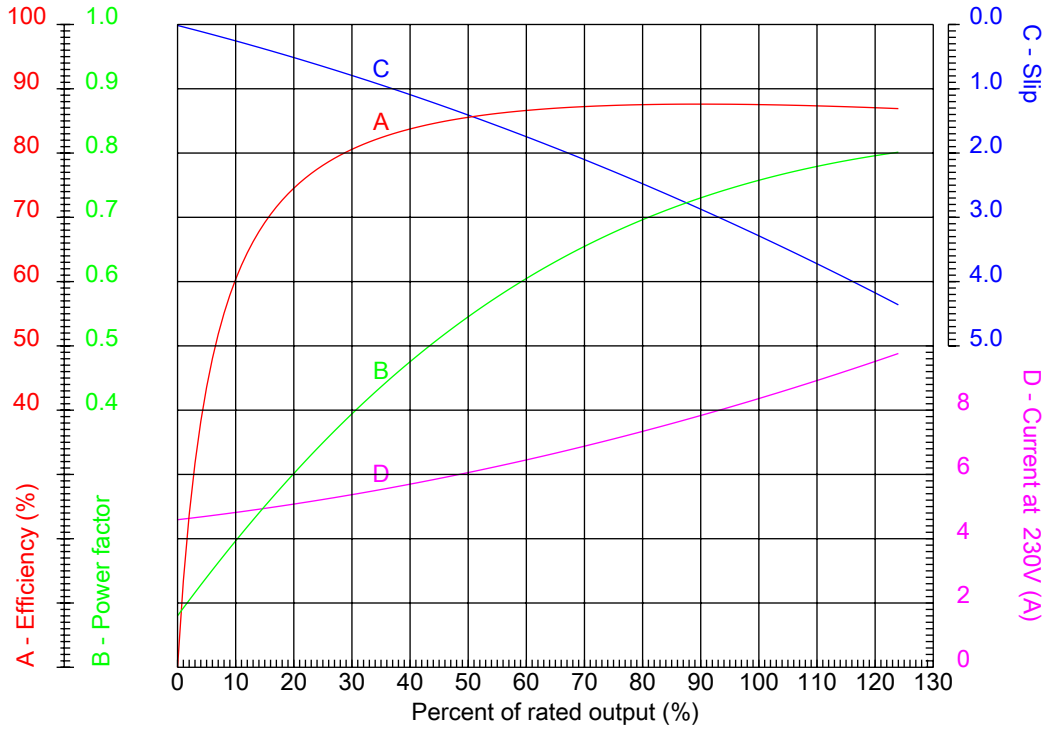
Dealers Industrial Equipment

No.:

Date: 12-SEP-2016

PERFORMANCE CURVES RELATED TO RATED OUTPUT

Three-phase induction motor - Squirrel cage rotor



Customer :
 Product line : Three-Phase : Rolled Steel Motor - High Efficiency

Frame	: W182/4T	Locked rotor current (I _l /I _n)	: 8.5
Output	: 3 HP	Duty cycle	: S1
Frequency	: 60 Hz	Service factor	: 1.15
Full load speed	: 1740 rpm	Design	: B
Voltage	: 230/460 V	Locked rotor torque	: 360 %
Rated current	: 8.30/4.15 A	Breakdown torque	: 400 %
Insulation class	: F		

Notes:
 Downloaded from <http://dealerselectric.com>
 Generated for Model #00318EP3ERSR182TC

Performed by

Checked



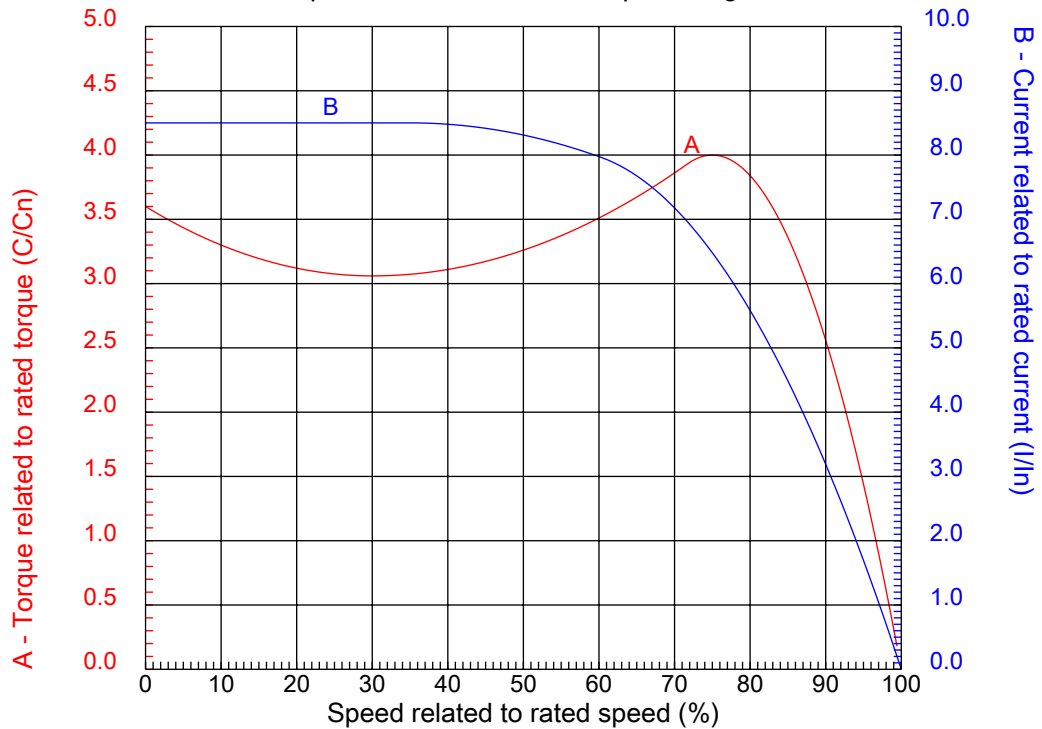
Dealers Industrial Equipment

No.:

Date: 12-SEP-2016

CHARACTERISTIC CURVES RELATED TO SPEED

Three-phase induction motor - Squirrel cage rotor



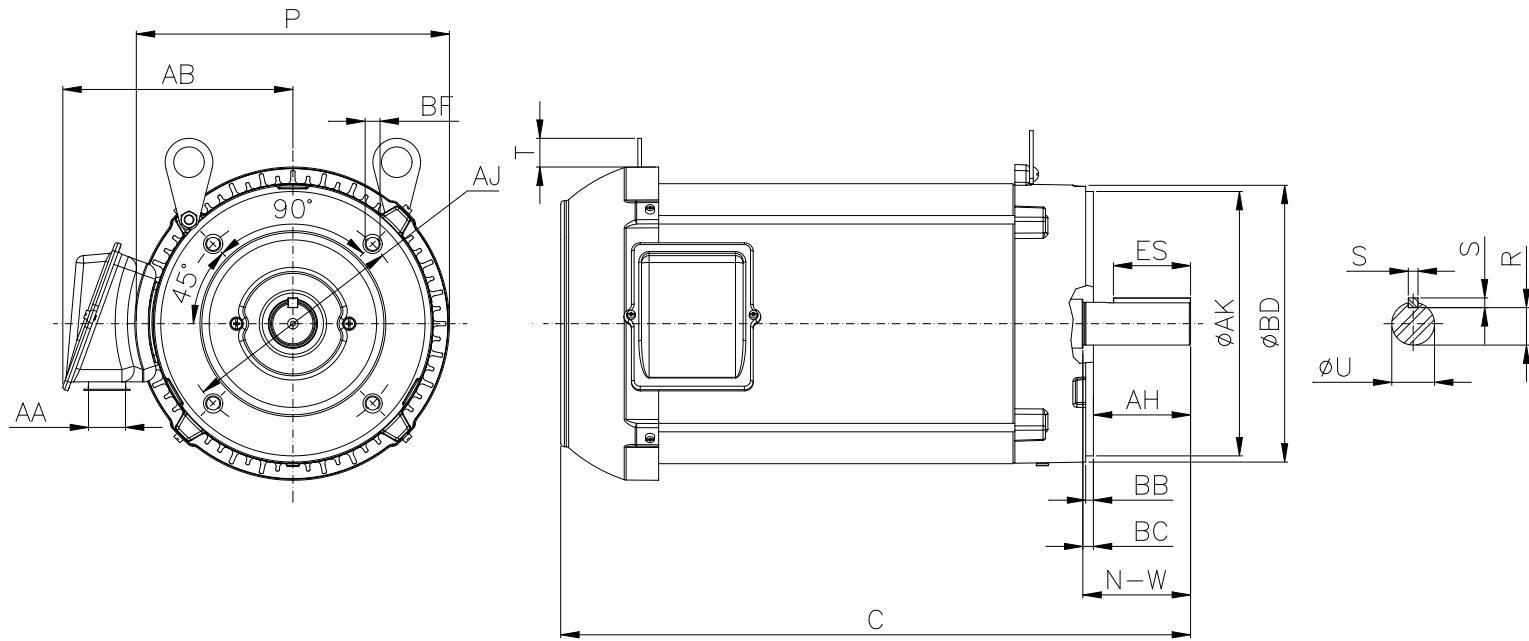
Customer :
Product line : Three-Phase : Rolled Steel Motor - High Efficiency

Frame	: W182/4T	Locked rotor current (I _l /I _n)	: 8.5
Output	: 3 HP	Duty cycle	: S1
Frequency	: 60 Hz	Service factor	: 1.15
Full load speed	: 1740 rpm	Design	: B
Voltage	: 230/460 V	Locked rotor torque	: 360 %
Rated current	: 8.30/4.15 A	Breakdown torque	: 400 %
Insulation class	: F		

Notes:
Downloaded from <http://dealerselectric.com>
Generated for Model #00318EP3ERSR182TC

Performed by

Checked



Notes: Downloaded from <http://dealerselectric.com>
 Generated for Model #00318EP3ERSR182TC

Performed by:

Checked:

Customer:

Three-Phase : Rolled Steel Motor - High Efficiency

P	AB	U	N-W	ES
7.828	5.809	1.125	2.750	1.969
S	R	depth	C	d1
0.250	0.984	0.250	17.719	A 4
d2	Flange	AJ	AK	BD
A 4	FC-184	7.250	8.500	8.875
BF	BB	BC	AH	
UNC 1/2"x13	0.250	0.125	2.625	

Three-phase induction motor
 Frame W182/4T - IP55

12-SEP-2016

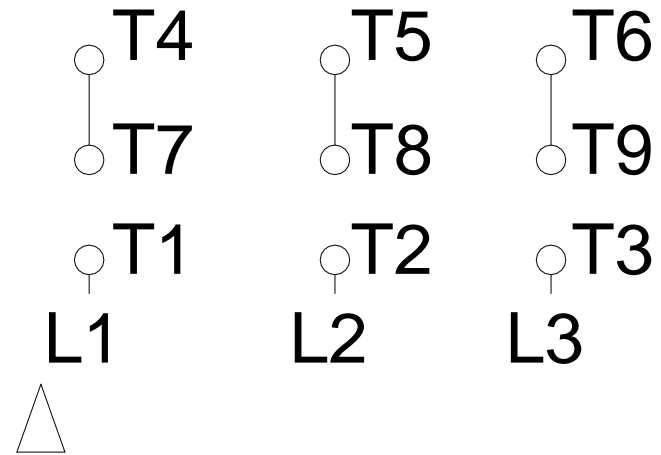
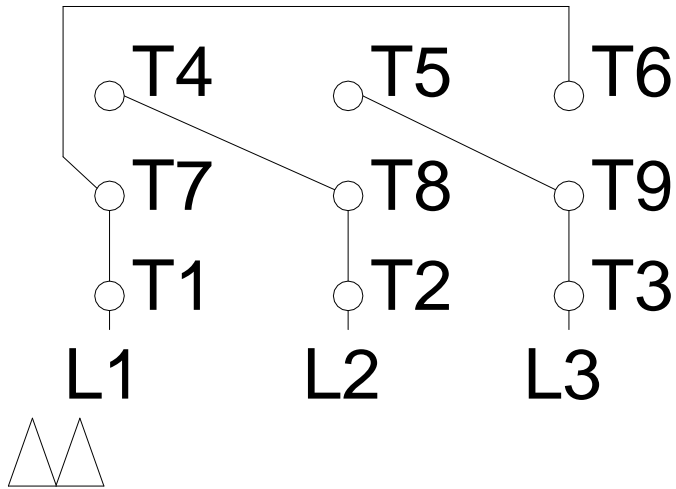


1 2 3 4 5 6 7 8

LOW VOLTAGE

HIGH VOLTAGE

A
B
C
D
E
F



Notes: Downloaded from <http://dealerselectric.com>
Generated for Model #00318EP3ERSR182TC

Performed by:

Checked:

Customer:

Three-Phase : Rolled Steel Motor - High Efficiency

Three-phase induction motor
Frame W182/4T - IP55

12-SEP-2016

