



# Dealers Industrial Equipment

No.:

Date: 12-SEP-2016

Customer :

## TECHNICAL PROPOSAL

### Three-phase induction motor - Squirrel cage rotor

Product line : W22 Super Premium  
Catalog Number : 00318EG3EL182T-W22  
List Price : \$>(discontinued)</span>

Notes:  
Downloaded from <http://dealerselectric.com>  
Generated for Model #00318EG3EL182T-W22

Performed by:

Checked:



# Dealers Industrial Equipment

No.:

Date: 12-SEP-2016

## DATA SHEET Three-phase induction motor - Squirrel cage rotor

Customer :  
Product line : W22 Super Premium

Frame : L182T  
Output : 3 HP  
Frequency : 60 Hz  
Poles : 4  
Full load speed : 1765 rpm  
Slip : 1.94 %  
Voltage : 208-230/460 V  
Rated current : 7.50/3.75 A  
Locked rotor current : 62.3/31.1 A  
Locked rotor current (I<sub>L</sub>/I<sub>n</sub>) : 8.3  
No-load current : 3.80/1.90 A  
Full load torque : 8.81 lb.ft  
Locked rotor torque : 230 %  
Breakdown torque : 320 %  
Design : A  
Insulation class : F  
Temperature rise : 80 K  
Locked rotor time : 36 s (hot)  
Service factor : 1.25 (1.00 at 208V)  
Duty cycle : S1  
Ambient temperature : -20°C - +40°C  
Altitude : 1000 m  
Degree of Protection : IP55  
Approximate weight : 93 lb  
Moment of inertia : 0.39605 sq.ft.lb  
Noise level : 56 dB(A)

	D.E.	N.D.E.
Bearings	6207 ZZ	6206 ZZ
Regreasing interval	---	---
Grease amount	---	---

Load	Power factor	Efficiency (%)
100%	0.81	91.0
75%	0.75	88.5
50%	0.63	87.5

Notes:  
Downloaded from <http://dealerselectric.com>  
Generated for Model #00318EG3EL182T-W22

Performed by

Checked



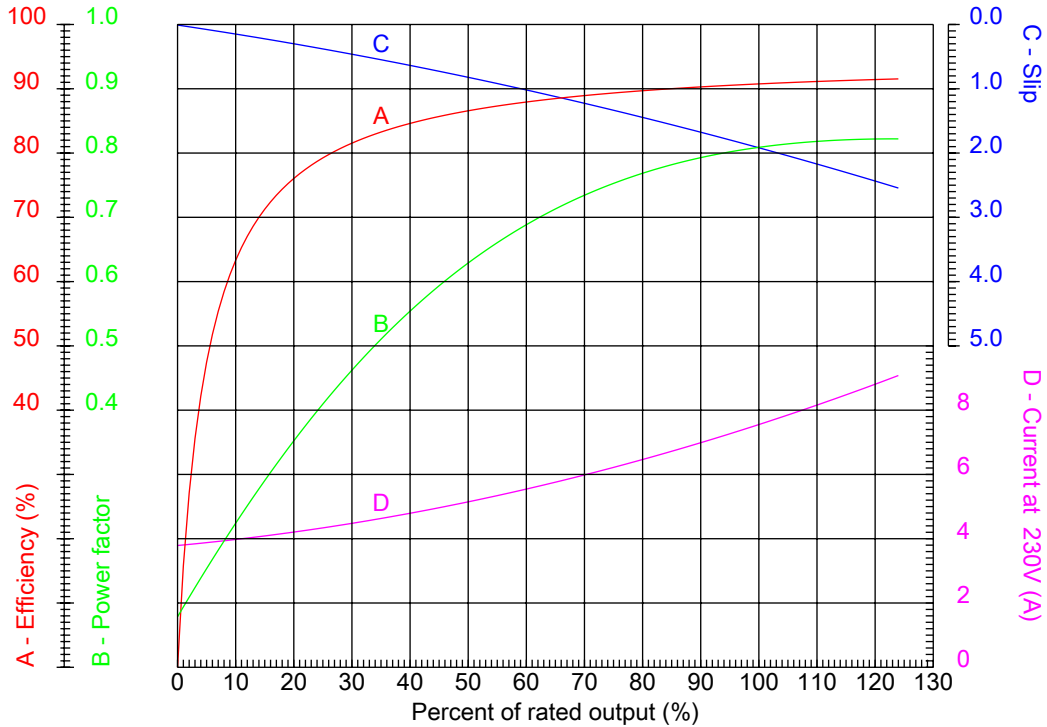
# Dealers Industrial Equipment

No.:

Date: 12-SEP-2016

## PERFORMANCE CURVES RELATED TO RATED OUTPUT

Three-phase induction motor - Squirrel cage rotor



Customer :  
 Product line : W22 Super Premium

Frame : L182T	Locked rotor current (I <sub>l</sub> /I <sub>n</sub> ) : 8.3
Output : 3 HP	Duty cycle : S1
Frequency : 60 Hz	Service factor : 1.25 (1.00 at 208V)
Full load speed : 1765 rpm	Design : A
Voltage : 208-230/460 V	Locked rotor torque : 230 %
Rated current : 7.50/3.75 A	Breakdown torque : 320 %
Insulation class : F	

Notes:  
 Downloaded from <http://dealerselectric.com>  
 Generated for Model #00318EG3EL182T-W22

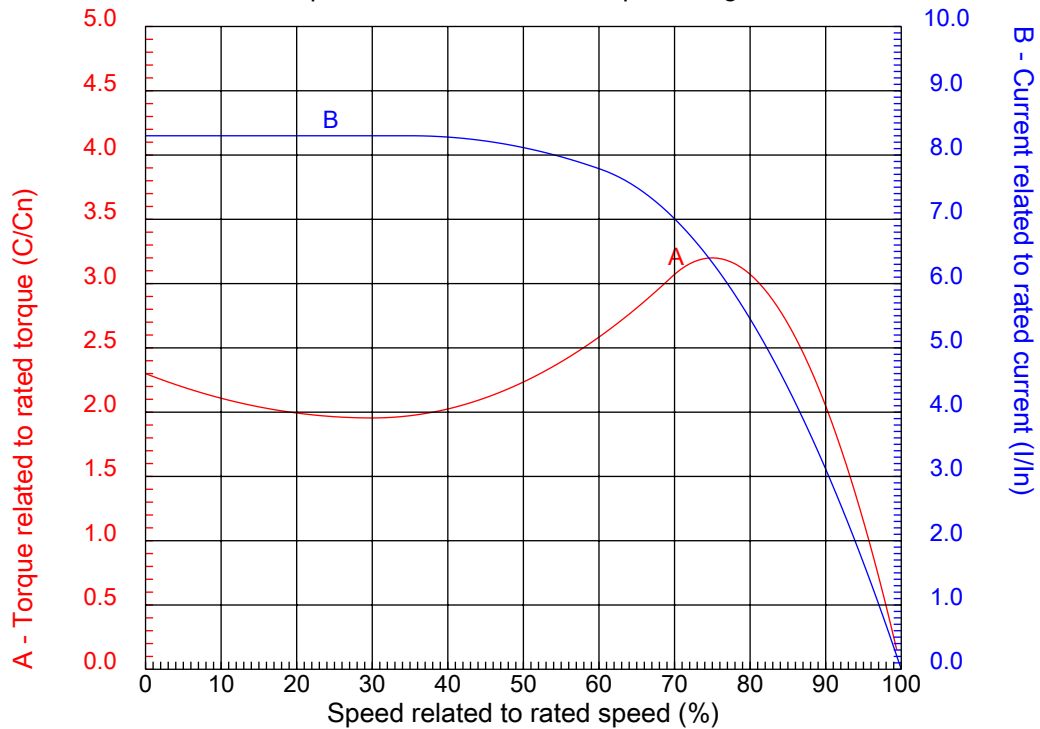
Performed by

Checked



## CHARACTERISTIC CURVES RELATED TO SPEED

Three-phase induction motor - Squirrel cage rotor



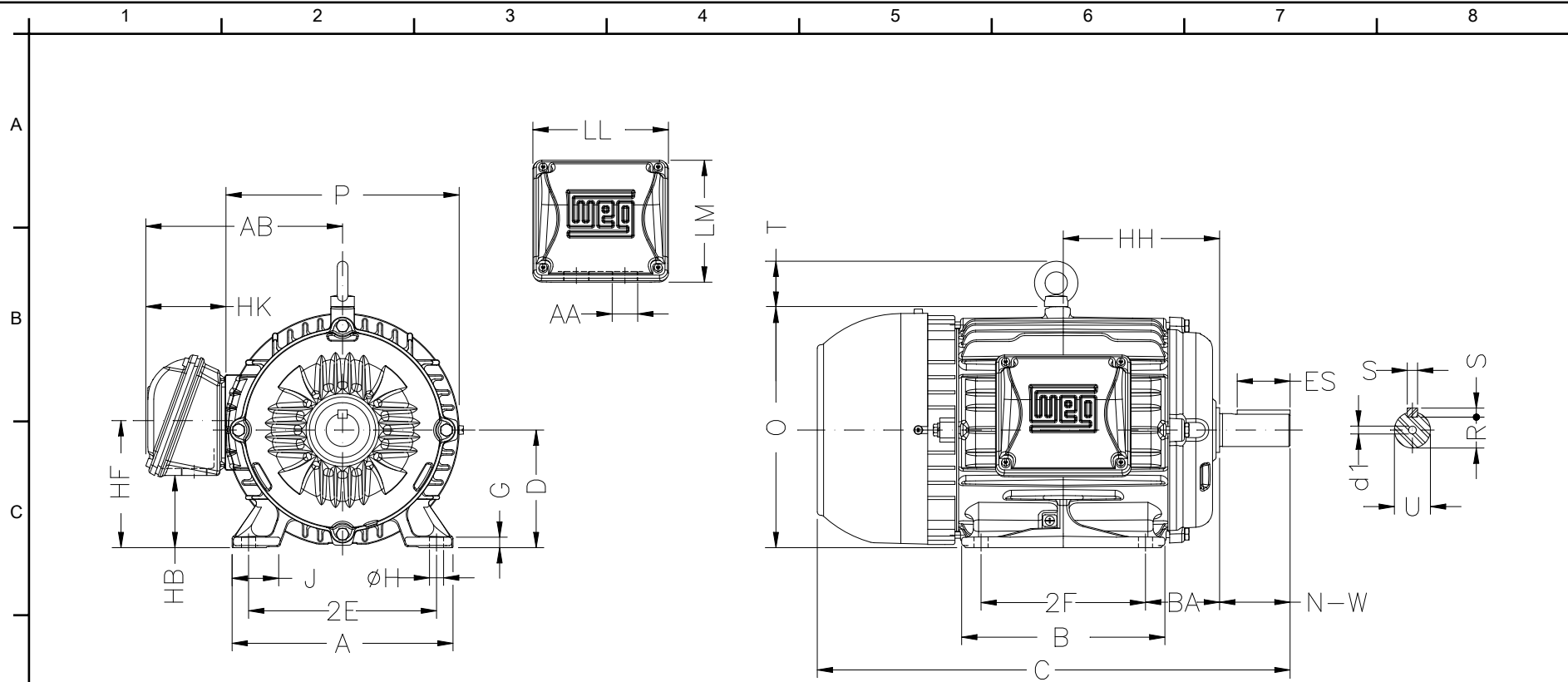
Customer :  
Product line : W22 Super Premium

Frame	: L182T	Locked rotor current (I <sub>l</sub> /I <sub>n</sub> )	: 8.3
Output	: 3 HP	Duty cycle	: S1
Frequency	: 60 Hz	Service factor	: 1.25 (1.00 at 208V)
Full load speed	: 1765 rpm	Design	: A
Voltage	: 208-230/460 V	Locked rotor torque	: 230 %
Rated current	: 7.50/3.75 A	Breakdown torque	: 320 %
Insulation class	: F		

Notes:  
Downloaded from <http://dealerselectric.com>  
Generated for Model #00318EG3EL182T-W22

Performed by

Checked



Notes: Downloaded from <http://dealerselectric.com>  
 Generated for Model #00318EG3EL182T-W22

Performed by:

Checked:

Customer:

W22 Super Premium

Three-phase induction motor

Frame L182T - IP55

12-SEP-2016



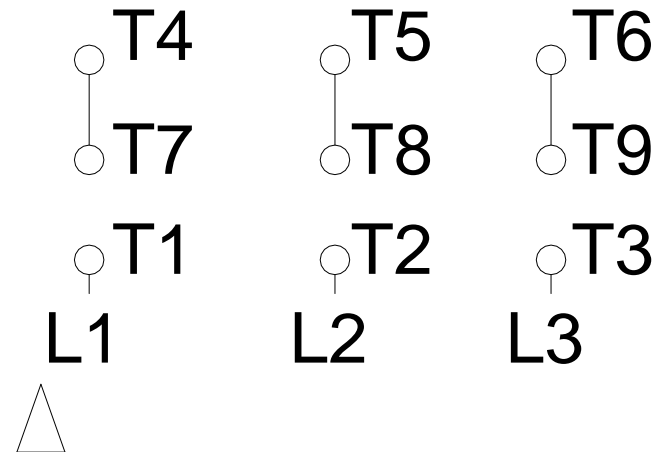
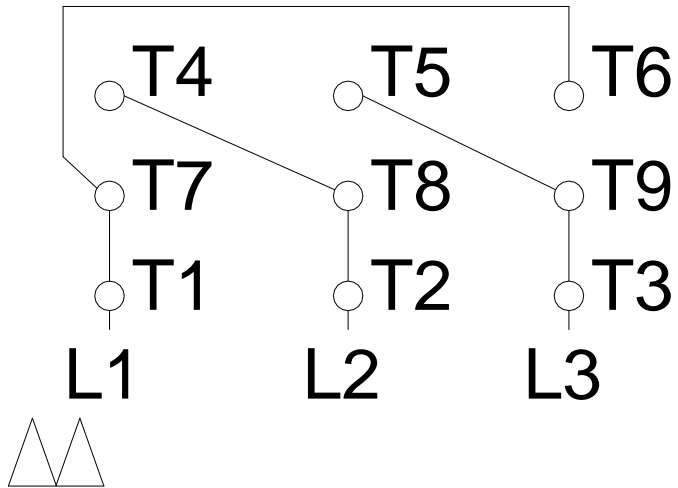
	2E 7.500	J 1.614	A 8.661	P 8.937	AB 7.565
	2F 4.500	B 5.945	BA 2.750	FBA 5.057	U 1.125
	N-W 2.750	ES 1.969	S 0.250	R 0.984	depth 0.250
F	D 4.500	G 0.394	HB 2.236	O 9.343	T 1.772
	HF 4.500	HH 5.000	HK 3.150	H 0.410	LL 5.512
	LM 5.236	AA NPT 1"	d1 A 4		

1 2 3 4 5 6 7 8

# LOW VOLTAGE

# HIGH VOLTAGE

A  
B  
C  
D  
E  
F



Notes: Downloaded from <http://dealerselectric.com>  
 Generated for Model #00318EG3EL182T-W22

Performed by:

Checked:

Customer:

W22 Super Premium

Three-phase induction motor  
 Frame L182T - IP55

12-SEP-2016

