



Dealers Industrial Equipment

No.:

Date: 12-SEP-2016

Customer :

TECHNICAL PROPOSAL

Three-phase induction motor - Squirrel cage rotor

Product line : W22 Cooling Tower Motors: NEMA Premium - TEAO

Catalog Number : 00318AT3PCT182TF1-W2

List Price : \$804

Notes:

Downloaded from <http://dealerselectric.com>

Generated for Model #00318AT3PCT182TF1-W2

Performed by:

Checked:



Dealers Industrial Equipment

No.:

Date: 12-SEP-2016

### DATA SHEET Three-phase induction motor - Squirrel cage rotor

Customer :  
Product line : W22 Cooling Tower Motors: NEMA Premium - TEAO

Frame : 182T  
Output : 3 HP  
Frequency : 60 Hz  
Poles : 4  
Full load speed : 1760 rpm  
Slip : 2.22 %  
Voltage : 200 V  
Rated current : 8.99 A  
Locked rotor current : 72.8 A  
Locked rotor current (I<sub>L</sub>/I<sub>n</sub>) : 8.1  
No-load current : 4.60 A  
Full load torque : 8.83 lb.ft  
Locked rotor torque : 230 %  
Breakdown torque : 340 %  
Design : B  
Insulation class : F  
Temperature rise : 80 K  
Locked rotor time : 23 s (hot)  
Service factor : 1.25  
Duty cycle : S1  
Ambient temperature : -20°C - +40°C  
Altitude : 1000 m  
Degree of Protection : IP55  
Approximate weight : 90 lb  
Moment of inertia : 0.34005 sq.ft.lb  
Noise level : 56 dB(A)

	D.E.	N.D.E.
Bearings	6207 2RS	6206 2RS
Regreasing interval	---	---
Grease amount	---	---

Load	Power factor	Efficiency (%)
100%	0.79	89.5
75%	0.73	88.5
50%	0.61	87.5

Notes:  
Downloaded from <http://dealerselectric.com>  
Generated for Model #00318AT3PCT182TF1-W2

Performed by

Checked



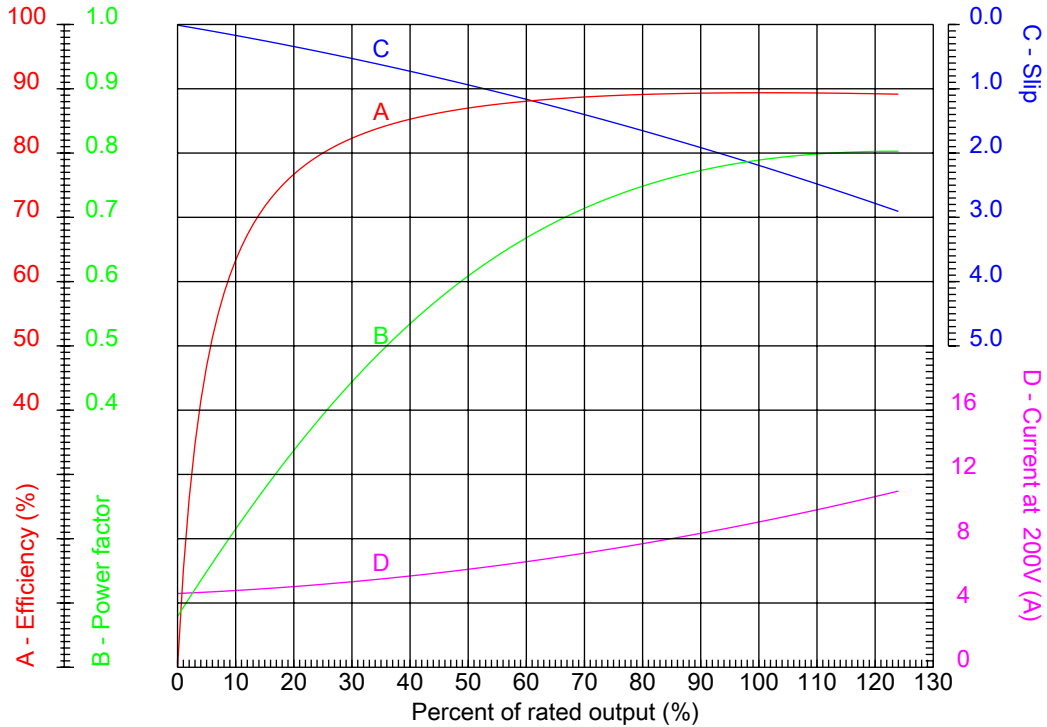
# Dealers Industrial Equipment

No.:

Date: 12-SEP-2016

## PERFORMANCE CURVES RELATED TO RATED OUTPUT

Three-phase induction motor - Squirrel cage rotor



Customer :  
 Product line : W22 Cooling Tower Motors: NEMA Premium - TEAO

Frame	: 182T	Locked rotor current (I <sub>l</sub> /I <sub>n</sub> )	: 8.1
Output	: 3 HP	Duty cycle	: S1
Frequency	: 60 Hz	Service factor	: 1.25
Full load speed	: 1760 rpm	Design	: B
Voltage	: 200 V	Locked rotor torque	: 230 %
Rated current	: 8.99 A	Breakdown torque	: 340 %
Insulation class	: F		

Notes:  
 Downloaded from <http://dealerselectric.com>  
 Generated for Model #00318AT3PCT182TF1-W2

Performed by

Checked



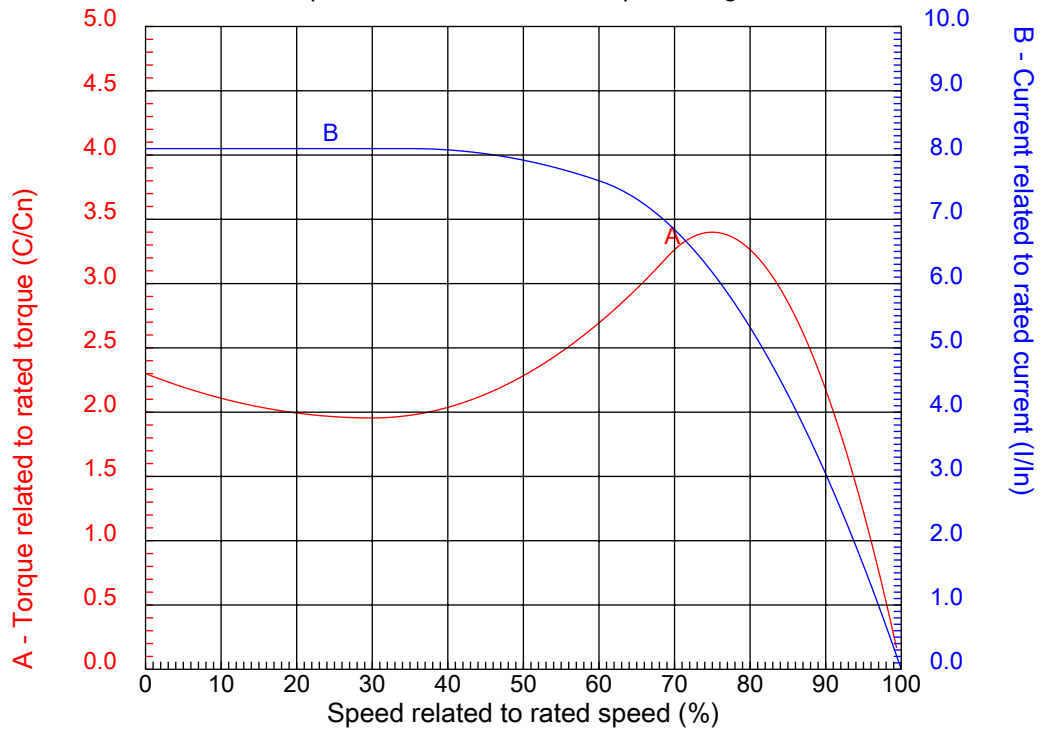
# Dealers Industrial Equipment

No.:

Date: 12-SEP-2016

## CHARACTERISTIC CURVES RELATED TO SPEED

Three-phase induction motor - Squirrel cage rotor



Customer :  
Product line : W22 Cooling Tower Motors: NEMA Premium - TEAO

Frame	: 182T	Locked rotor current (I <sub>l</sub> /I <sub>n</sub> )	: 8.1
Output	: 3 HP	Duty cycle	: S1
Frequency	: 60 Hz	Service factor	: 1.25
Full load speed	: 1760 rpm	Design	: B
Voltage	: 200 V	Locked rotor torque	: 230 %
Rated current	: 8.99 A	Breakdown torque	: 340 %
Insulation class	: F		

Notes:  
Downloaded from <http://dealerselectric.com>  
Generated for Model #00318AT3PCT182TF1-W2

Performed by

Checked

1 2 3 4 5 6 7 8

A

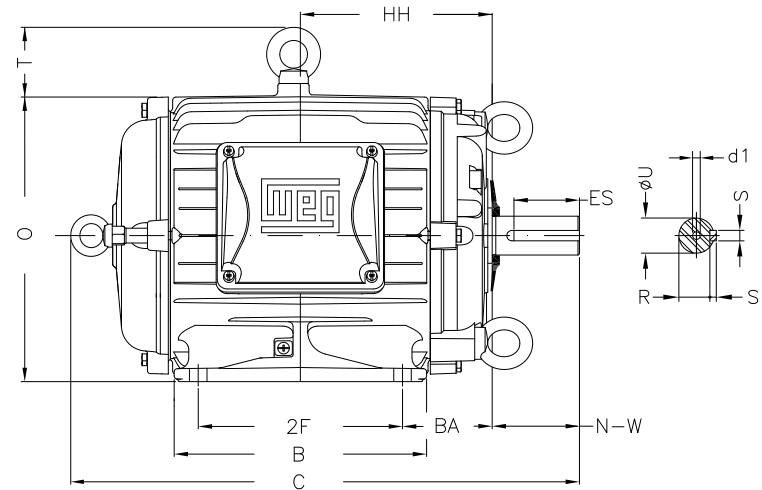
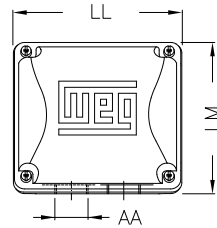
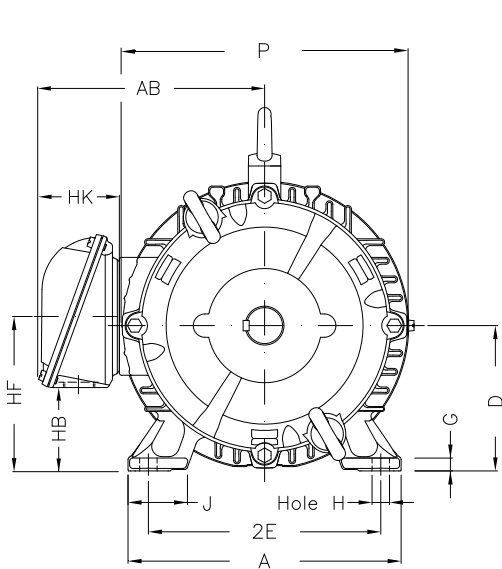
B

C

D

E

F



Notes: Downloaded from <http://dealerselectric.com>  
Generated for Model #00318AT3PCT182TF1-W2

Performed by:

Checked:

Customer:

W22 Cooling Tower Motors: NEMA Premium - TEAO

Three-phase induction motor  
Frame 182T - IP55

12-SEP-2016

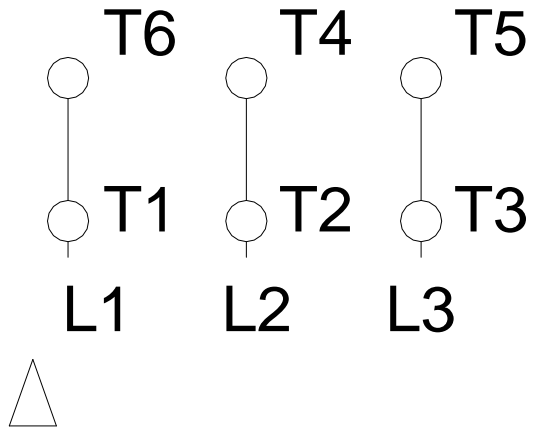


2E 7.500	J 1.614	A 8.661	P 8.504	AB 7.565
2F 4.500	B 5.945	BA 2.750	U 1.125	N-W 2.750
ES 1.969	S 0.250	R 0.984	depth 0.250	D 4.500
G 0.394	HB 2.236	O 9.343	T 1.772	HF 4.500
HH 5.000	HK 3.150	H 0.406	C 14.298	LL 5.512
LM 5.236	AA NPT 1"	d1 A 4		

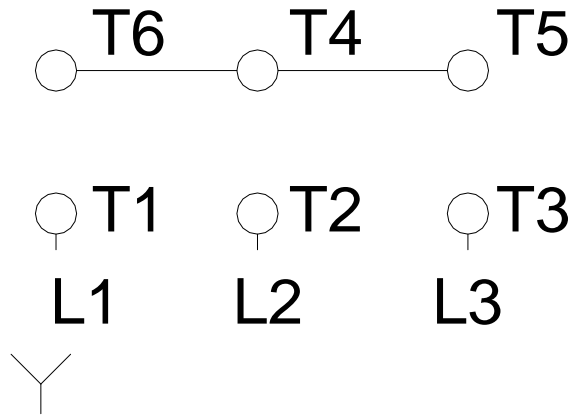
1 2 3 4 5 6 7 8

A  
B  
C  
D  
E  
F

### LOW VOLTAGE



### HIGH VOLTAGE



Notes: Downloaded from <a href="http://dealerselectric.com">http://dealerselectric.com</a> Generated for Model #00318AT3PCT182TF1-W2		
Performed by:		
Checked:		
Customer:		
W22 Cooling Tower Motors: NEMA Premium - TEAO		
Three-phase induction motor Frame 182T - IP55	12-SEP-2016	