



Dealers Industrial Equipment

No.:

Date: 12-SEP-2016

Customer :

TECHNICAL PROPOSAL

Three-phase induction motor - Squirrel cage rotor

Product line : Three-Phase : Explosion Proof - NEMA Premium

Catalog Number : 00312XT3H213T

List Price : \$1,792

Notes:

Downloaded from <http://dealerselectric.com>

Generated for Model #00312XT3H213T

Performed by:

Checked:



Dealers Industrial Equipment

No.:

Date: 12-SEP-2016

DATA SHEET Three-phase induction motor - Squirrel cage rotor

Customer :
 Product line : Three-Phase : Explosion Proof - NEMA Premium

Frame : 213T
 Output : 3 HP
 Frequency : 60 Hz
 Poles : 6
 Full load speed : 1170 rpm
 Slip : 2.50 %
 Voltage : 575 V
 Rated current : 3.53 A
 Locked rotor current : 23.6 A
 Locked rotor current (I_L/I_n) : 6.7
 No-load current : 2.08 A
 Full load torque : 13.3 lb.ft
 Locked rotor torque : 220 %
 Breakdown torque : 250 %
 Design : B
 Insulation class : F
 Temperature rise : 80 K
 Locked rotor time : 58 s (hot)
 Service factor : 1.15
 Duty cycle : S1
 Ambient temperature : -20°C - +40°C
 Altitude : 1000 m
 Degree of Protection : IP55
 Approximate weight : 165 lb
 Moment of inertia : 1.1958 sq.ft.lb
 Noise level : 55 dB(A)

| | D.E. | N.D.E. |
|---------------------|----------|----------|
| Bearings | 6308 2RS | 6207 2RS |
| Regreasing interval | --- | --- |
| Grease amount | --- | --- |

| Load | Power factor | Efficiency (%) |
|------|--------------|----------------|
| 100% | 0.70 | 89.5 |
| 75% | 0.62 | 88.5 |
| 50% | 0.50 | 86.5 |

Notes:
 Downloaded from <http://dealerselectric.com>
 Generated for Model #00312XT3H213T

Performed by

Checked



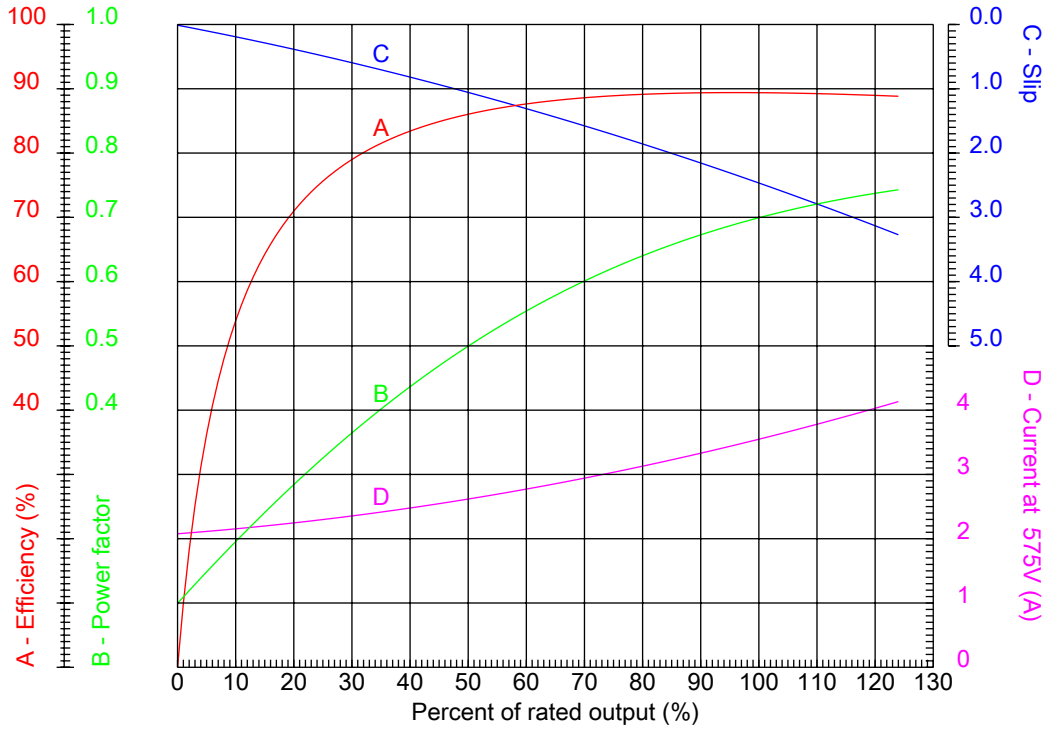
Dealers Industrial Equipment

No.:

Date: 12-SEP-2016

PERFORMANCE CURVES RELATED TO RATED OUTPUT

Three-phase induction motor - Squirrel cage rotor



Customer :
 Product line : Three-Phase : Explosion Proof - NEMA Premium

| | |
|----------------------------|--|
| Frame : 213T | Locked rotor current (I _L /I _n) : 6.7 |
| Output : 3 HP | Duty cycle : S1 |
| Frequency : 60 Hz | Service factor : 1.15 |
| Full load speed : 1170 rpm | Design : B |
| Voltage : 575 V | Locked rotor torque : 220 % |
| Rated current : 3.53 A | Breakdown torque : 250 % |
| Insulation class : F | |

Notes:
 Downloaded from <http://dealerselectric.com>
 Generated for Model #00312XT3H213T

Performed by

Checked



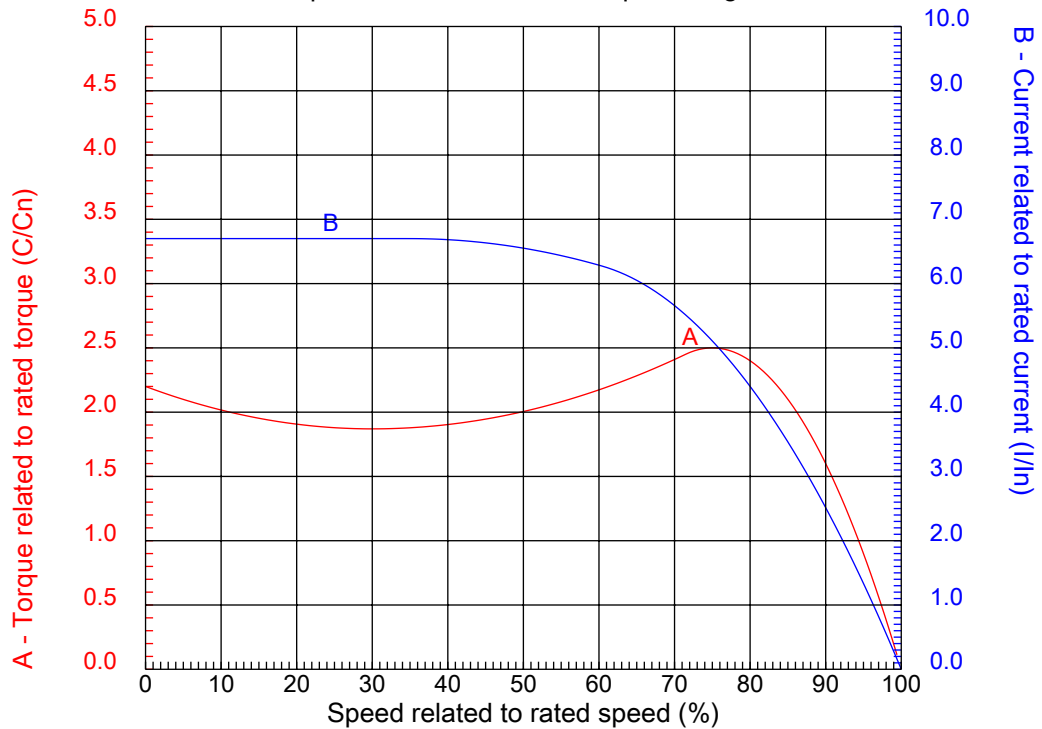
Dealers Industrial Equipment

No.:

Date: 12-SEP-2016

CHARACTERISTIC CURVES RELATED TO SPEED

Three-phase induction motor - Squirrel cage rotor



Customer :
Product line : Three-Phase : Explosion Proof - NEMA Premium

| | | | |
|------------------|------------|--|---------|
| Frame | : 213T | Locked rotor current (I _l /I _n) | : 6.7 |
| Output | : 3 HP | Duty cycle | : S1 |
| Frequency | : 60 Hz | Service factor | : 1.15 |
| Full load speed | : 1170 rpm | Design | : B |
| Voltage | : 575 V | Locked rotor torque | : 220 % |
| Rated current | : 3.53 A | Breakdown torque | : 250 % |
| Insulation class | : F | | |

Notes:
Downloaded from <http://dealerselectric.com>
Generated for Model #00312XT3H213T

Performed by

Checked

1 2 3 4 5 6 7 8

A

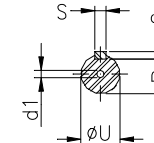
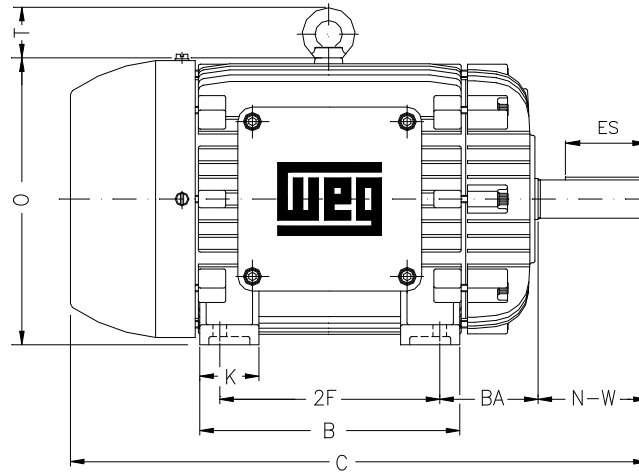
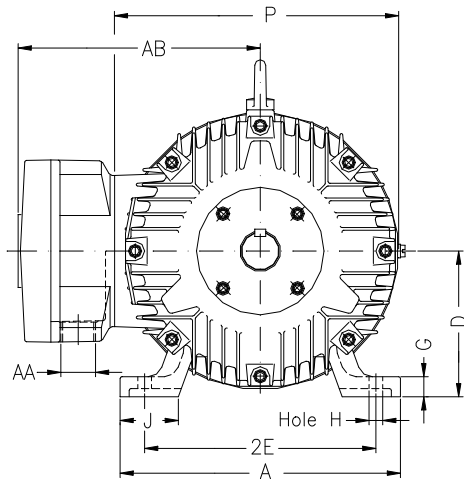
B

C

D

E

F



Notes: Downloaded from <http://dealerselectric.com>
Generated for Model #00312XT3H213T

Performed by:

Checked:

Customer:

Three-Phase : Explosion Proof - NEMA Premium

Three-phase induction motor
Frame 213T - IP55

12-SEP-2016



| | | | | |
|-------------|--------------|-------------|-------------|----------------|
| 2E 8.500 | A 9.764 | 2F 5.500 | B 7.402 | BA 3.500 |
| J 2.008 | K 2.165 | P 10.709 | ES 2.480 | depth 0.313 |
| S 0.313 | N-W 3.375 | U 1.375 | R 1.203 | AB 9.252 |
| D 5.250 | G 0.827 | O 11.156 | T 1.772 | H 0.406 |
| C 17.952 | AA NPT 1" | d1 A 4 | d2 A 4 | |

1 2 3 4 5 6 7 8

A
B
C
D
E
F

RUN



ONLY FOR START



| | | |
|--|-------------|--|
| Notes: Downloaded from http://dealerselectric.com Generated for Model #00312XT3H213T | | |
| Performed by: | | |
| Checked: | | |
| Customer: | | |
| Three-Phase : Explosion Proof - NEMA Premium | | |
| Three-phase induction motor Frame 213T - IP55 | 12-SEP-2016 | |