



Dealers Industrial Equipment

No.:

Date: 12-SEP-2016

Customer :

TECHNICAL PROPOSAL

Three-phase induction motor - Squirrel cage rotor

Product line : Three-Phase : Explosion Proof - NEMA Premium

Catalog Number : 00312XT3E213T

List Price : \$1,792

Notes:

Downloaded from <http://dealerselectric.com>

Generated for Model #00312XT3E213T

Performed by:

Checked:



# Dealers Industrial Equipment

No.:

Date: 12-SEP-2016

## DATA SHEET Three-phase induction motor - Squirrel cage rotor

Customer :  
Product line : Three-Phase : Explosion Proof - NEMA Premium

Frame : 213T  
Output : 3 HP  
Frequency : 60 Hz  
Poles : 6  
Full load speed : 1170 rpm  
Slip : 2.50 %  
Voltage : 208-230/460 V  
Rated current : 9.75-8.82/4.41 A  
Locked rotor current : 59.1/29.5 A  
Locked rotor current (I<sub>L</sub>/I<sub>n</sub>) : 6.7  
No-load current : 5.20/2.60 A  
Full load torque : 13.3 lb.ft  
Locked rotor torque : 220 %  
Breakdown torque : 250 %  
Design : B  
Insulation class : F  
Temperature rise : 80 K  
Locked rotor time : 58 s (hot)  
Service factor : 1.15  
Duty cycle : S1  
Ambient temperature : -20°C - +40°C  
Altitude : 1000 m  
Degree of Protection : IP55  
Approximate weight : 165 lb  
Moment of inertia : 1.1958 sq.ft.lb  
Noise level : 55 dB(A)

	D.E.	N.D.E.
Bearings	6308 2RS	6207 2RS
Regreasing interval	---	---
Grease amount	---	---

Load	Power factor	Efficiency (%)
100%	0.70	89.5
75%	0.62	88.5
50%	0.50	86.5

Notes:  
Downloaded from <http://dealerselectric.com>  
Generated for Model #00312XT3E213T

Performed by

Checked



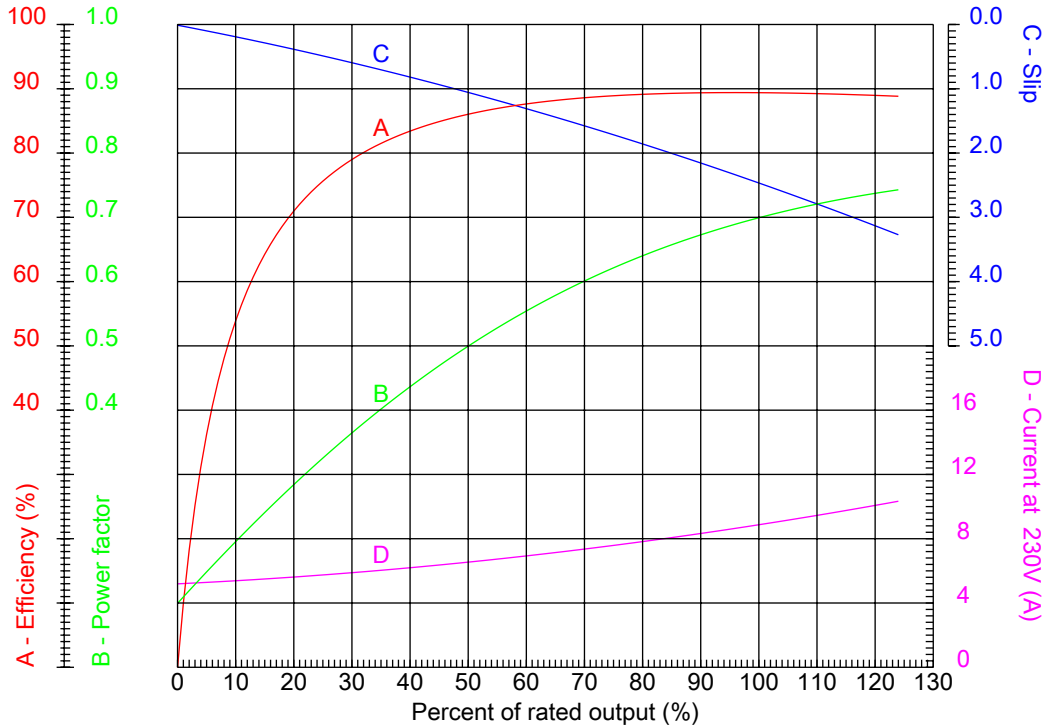
# Dealers Industrial Equipment

No.:

Date: 12-SEP-2016

## PERFORMANCE CURVES RELATED TO RATED OUTPUT

Three-phase induction motor - Squirrel cage rotor



Customer :  
 Product line : Three-Phase : Explosion Proof - NEMA Premium

Frame	: 213T	Locked rotor current (I <sub>l</sub> /I <sub>n</sub> )	: 6.7
Output	: 3 HP	Duty cycle	: S1
Frequency	: 60 Hz	Service factor	: 1.15
Full load speed	: 1170 rpm	Design	: B
Voltage	: 208-230/460 V	Locked rotor torque	: 220 %
Rated current	: 9.75-8.82/4.41 A	Breakdown torque	: 250 %
Insulation class	: F		

Notes:  
 Downloaded from <http://dealerselectric.com>  
 Generated for Model #00312XT3E213T

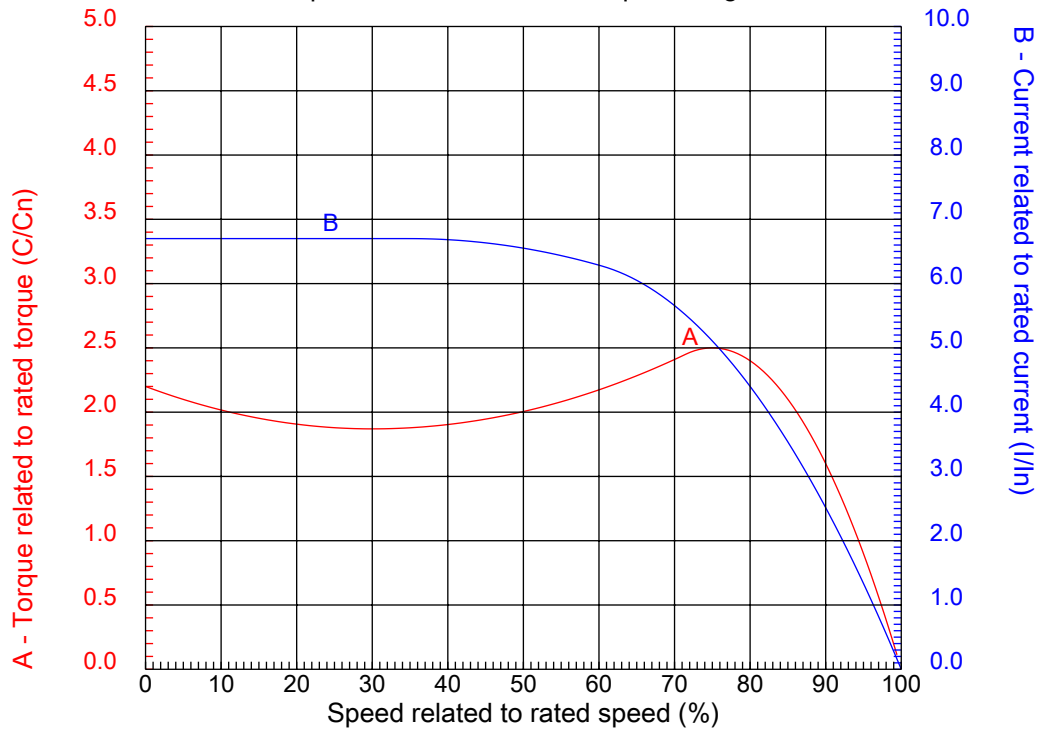
Performed by

Checked



## CHARACTERISTIC CURVES RELATED TO SPEED

Three-phase induction motor - Squirrel cage rotor



Customer :  
Product line : Three-Phase : Explosion Proof - NEMA Premium

Frame	: 213T	Locked rotor current (I <sub>l</sub> /I <sub>n</sub> )	: 6.7
Output	: 3 HP	Duty cycle	: S1
Frequency	: 60 Hz	Service factor	: 1.15
Full load speed	: 1170 rpm	Design	: B
Voltage	: 208-230/460 V	Locked rotor torque	: 220 %
Rated current	: 9.75-8.82/4.41 A	Breakdown torque	: 250 %
Insulation class	: F		

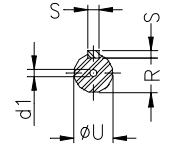
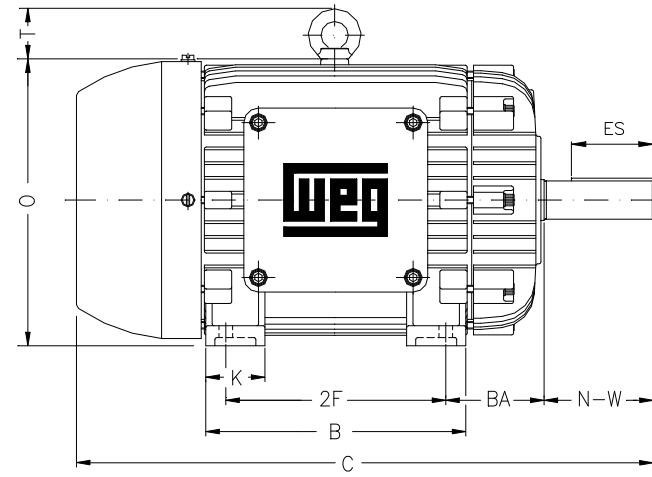
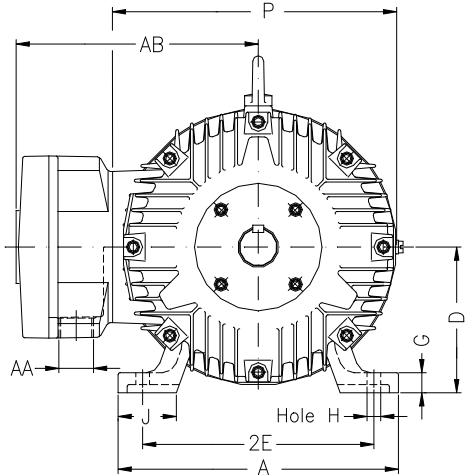
Notes:  
Downloaded from <http://dealerselectric.com>  
Generated for Model #00312XT3E213T

Performed by

Checked

1 2 3 4 5 6 7 8

A  
B  
C  
D  
E  
F



Notes: Downloaded from <http://dealerselectric.com>  
Generated for Model #00312XT3E213T

Performed by:

Checked:

Customer:

Three-Phase : Explosion Proof - NEMA Premium

Three-phase induction motor  
Frame 213T - IP55

12-SEP-2016



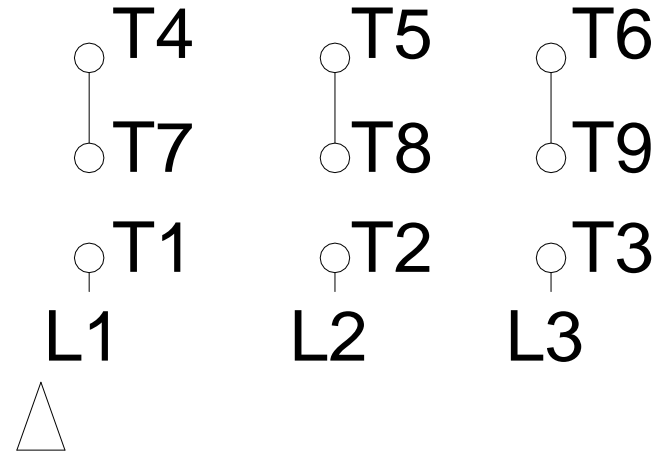
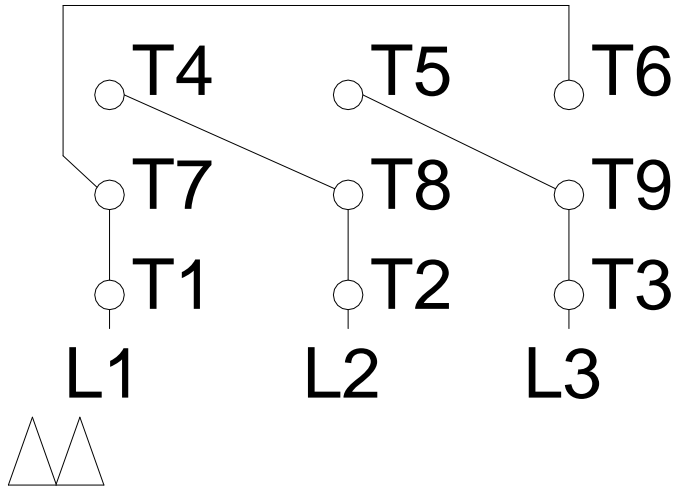
2E 8.500	A 9.764	2F 5.500	B 7.402	BA 3.500
J 2.008	K 2.165	P 10.709	ES 2.480	depth 0.313
S 0.313	N-W 3.375	U 1.375	R 1.203	AB 9.252
D 5.250	G 0.827	O 11.156	T 1.772	H 0.406
C 17.952	AA NPT 1"	d1 A 4	d2 A 4	

1 2 3 4 5 6 7 8

# LOW VOLTAGE

# HIGH VOLTAGE

A  
B  
C  
D  
E  
F



Notes: Downloaded from <http://dealerselectric.com>  
Generated for Model #00312XT3E213T

Performed by:

Checked:

Customer:

Three-Phase : Explosion Proof - NEMA Premium

Three-phase induction motor  
Frame 213T - IP55

12-SEP-2016

