



Dealers Industrial Equipment

No.:

Date: 12-SEP-2016

Customer :

TECHNICAL PROPOSAL

Three-phase induction motor - Squirrel cage rotor

Product line : W22 NEMA Premium - Ball Bearings

Catalog Number : 00312ET3E213TC-W22

List Price : \$1,180

Notes:

Downloaded from <http://dealerselectric.com>

Generated for Model #00312ET3E213TC-W22

Performed by:

Checked:



Dealers Industrial Equipment

No.:

Date: 12-SEP-2016

DATA SHEET Three-phase induction motor - Squirrel cage rotor

Customer :
 Product line : W22 NEMA Premium - Ball Bearings

Frame : 213/5T
 Output : 3 HP
 Frequency : 60 Hz
 Poles : 6
 Full load speed : 1175 rpm
 Slip : 2.08 %
 Voltage : 208-230/460 V
 Rated current : 9.76-8.83/4.41 A
 Locked rotor current : 61.8/30.9 A
 Locked rotor current (I_L/I_n) : 7.0
 No-load current : 5.50/2.75 A
 Full load torque : 13.2 lb.ft
 Locked rotor torque : 200 %
 Breakdown torque : 280 %
 Design : B
 Insulation class : F
 Temperature rise : 80 K
 Locked rotor time : 58 s (hot)
 Service factor : 1.25
 Duty cycle : S1
 Ambient temperature : -20°C - +40°C
 Altitude : 1000 m
 Degree of Protection : IP55
 Approximate weight : 121 lb
 Moment of inertia : 1.1958 sq.ft.lb
 Noise level : 55 dB(A)

| | D.E. | N.D.E. |
|---------------------|---------|---------|
| Bearings | 6308 ZZ | 6207 ZZ |
| Regreasing interval | --- | --- |
| Grease amount | --- | --- |

| Load | Power factor | Efficiency (%) |
|------|--------------|----------------|
| 100% | 0.70 | 89.5 |
| 75% | 0.63 | 88.5 |
| 50% | 0.50 | 86.5 |

Notes:
 Downloaded from <http://dealerselectric.com>
 Generated for Model #00312ET3E213TC-W22

Performed by

Checked



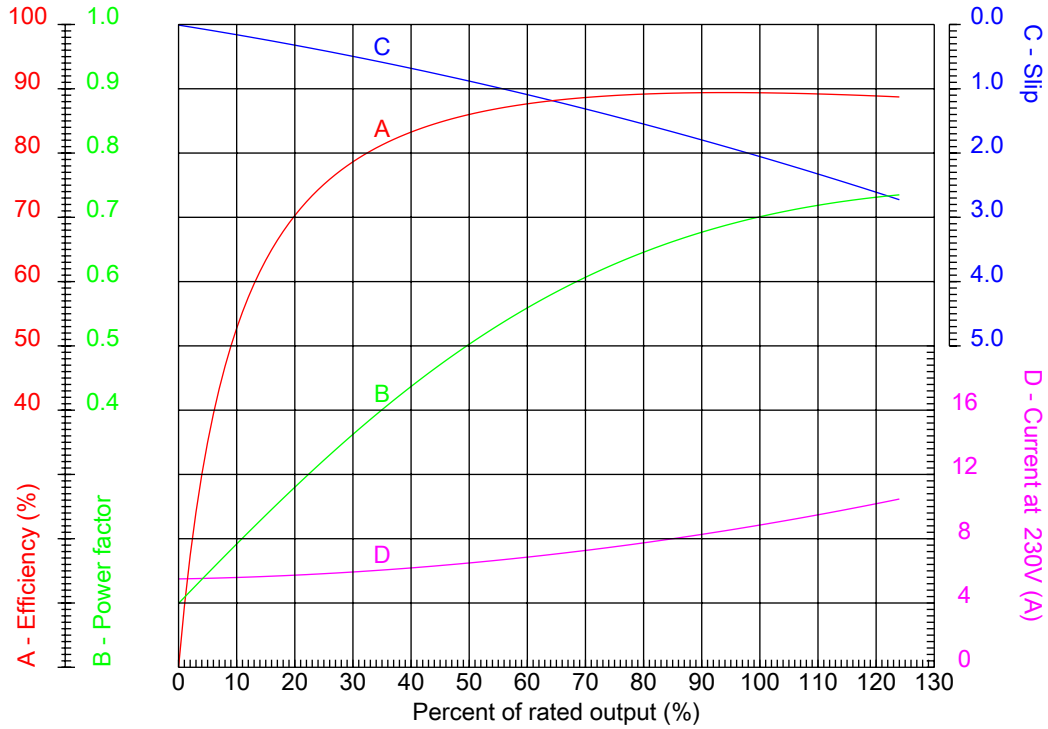
Dealers Industrial Equipment

No.:

Date: 12-SEP-2016

PERFORMANCE CURVES RELATED TO RATED OUTPUT

Three-phase induction motor - Squirrel cage rotor



Customer :
Product line : W22 NEMA Premium - Ball Bearings

| | |
|----------------------------------|--|
| Frame : 213/5T | Locked rotor current (I _l /I _n) : 7.0 |
| Output : 3 HP | Duty cycle : S1 |
| Frequency : 60 Hz | Service factor : 1.25 |
| Full load speed : 1175 rpm | Design : B |
| Voltage : 208-230/460 V | Locked rotor torque : 200 % |
| Rated current : 9.76-8.83/4.41 A | Breakdown torque : 280 % |
| Insulation class : F | |

Notes:
Downloaded from <http://dealerselectric.com>
Generated for Model #00312ET3E213TC-W22

Performed by

Checked



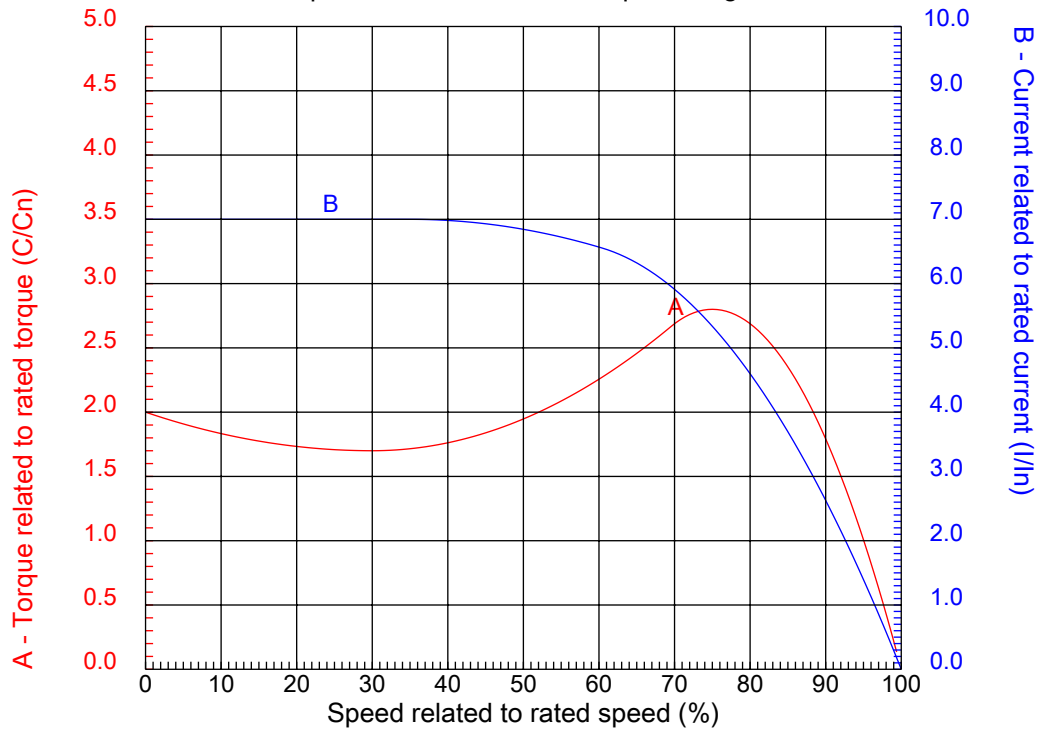
Dealers Industrial Equipment

No.:

Date: 12-SEP-2016

CHARACTERISTIC CURVES RELATED TO SPEED

Three-phase induction motor - Squirrel cage rotor



Customer :
Product line : W22 NEMA Premium - Ball Bearings

| | | | |
|------------------|--------------------|--|---------|
| Frame | : 213/5T | Locked rotor current (I _l /I _n) | : 7.0 |
| Output | : 3 HP | Duty cycle | : S1 |
| Frequency | : 60 Hz | Service factor | : 1.25 |
| Full load speed | : 1175 rpm | Design | : B |
| Voltage | : 208-230/460 V | Locked rotor torque | : 200 % |
| Rated current | : 9.76-8.83/4.41 A | Breakdown torque | : 280 % |
| Insulation class | : F | | |

Notes:
Downloaded from <http://dealerselectric.com>
Generated for Model #00312ET3E213TC-W22

Performed by

Checked

1 2 3 4 5 6 7 8

A

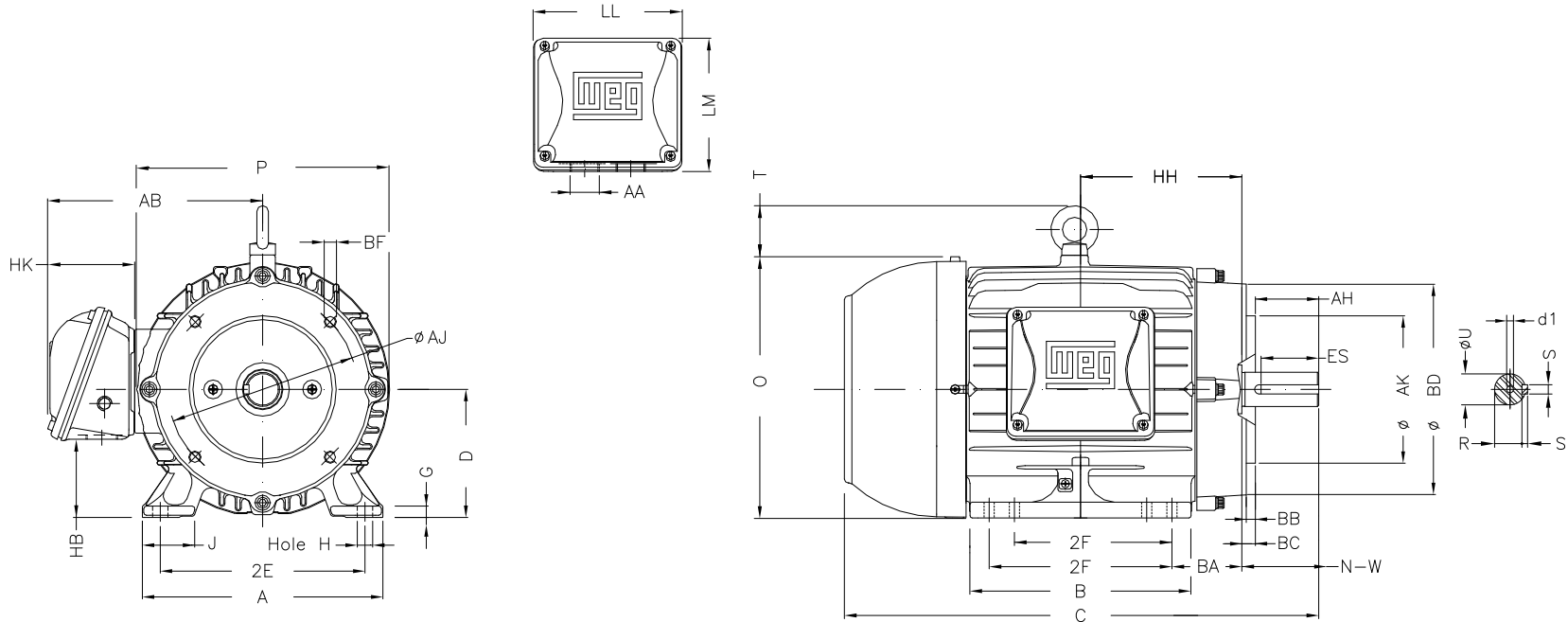
B

C

D

E

F



Notes: Downloaded from <http://dealerselectric.com>
Generated for Model #00312ET3E213TC-W22

Performed by:

Checked:

Customer:

W22 NEMA Premium - Ball Bearings

Three-phase induction motor
Frame 213/5T - IP55

12-SEP-2016



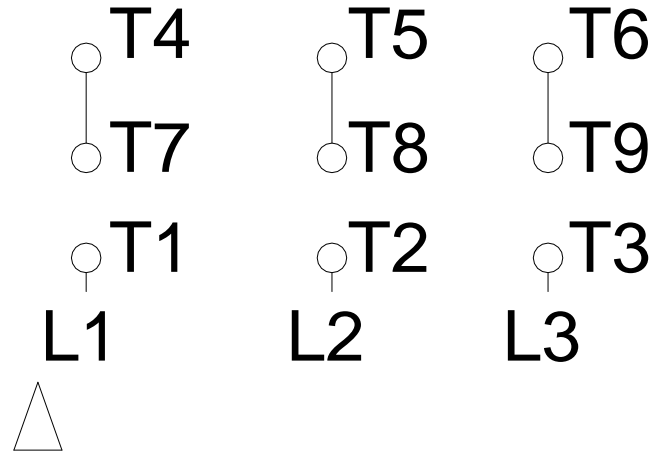
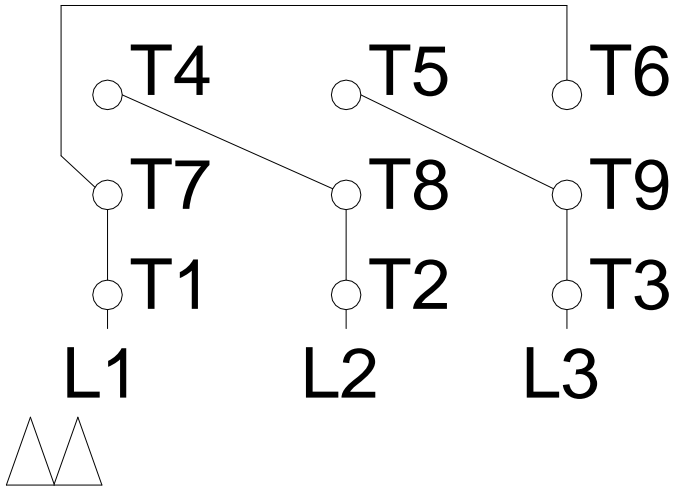
| | | | | |
|-------------|-------------|--------|--------|--------|
| 2E | J | A | P | AB |
| 8.500 | 1.772 | 9.764 | 10.669 | 8.583 |
| 2F | K | B | BA | FBA |
| 5.500/7.000 | 2.165 | 8.858 | 3.500 | 5.921 |
| U | N-W | ES | S | R |
| 1.375 | 3.375 | 2.480 | 0.313 | 1.203 |
| depth | D | G | HB | O |
| 0.313 | 5.250 | 0.669 | 2.985 | 10.841 |
| T | HF | HH | HK | EV |
| 1.772 | 5.250 | 7.000 | 3.150 | 0.929 |
| H | C | FC | LL | LM |
| 0.410 | 19.517 | 22.546 | 5.512 | 5.236 |
| AA | d1 | Flange | AJ | AK |
| NPT 1" | A 4 | FC-184 | 7.250 | 8.500 |
| BD | BF | BB | BC | AH |
| 8.875 | UNC 1/2"x13 | 0.250 | 0.250 | 3.125 |

1 2 3 4 5 6 7 8

LOW VOLTAGE

HIGH VOLTAGE

A
B
C
D
E
F



Notes: Downloaded from <http://dealerselectric.com>
Generated for Model #00312ET3E213TC-W22

Performed by:

Checked:

Customer:

W22 NEMA Premium - Ball Bearings

Three-phase induction motor
Frame 213/5T - IP55

12-SEP-2016

