



Dealers Industrial Equipment

No.:

Date: 12-SEP-2016

Customer :

TECHNICAL PROPOSAL

Three-phase induction motor - Squirrel cage rotor

Product line : W01 (Rolled Steel) General Purpose TEFC

Catalog Number : 00312ET3E213T-SG

List Price : \$1,183

Notes:

Downloaded from <http://dealerselectric.com>

Generated for Model #00312ET3E213T-SG

Performed by:

Checked:



Dealers Industrial Equipment

No.:

Date: 12-SEP-2016

DATA SHEET Three-phase induction motor - Squirrel cage rotor

Customer :
Product line : W01 (Rolled Steel) General Purpose TEFC

Frame : 213/5T
Output : 3 HP
Frequency : 60 Hz
Poles : 6
Full load speed : 1175 rpm
Slip : 2.08 %
Voltage : 208-230/460 V
Rated current : 9.22-8.34/4.17 A
Locked rotor current : 53.4/26.7 A
Locked rotor current (I_L/I_n) : 6.4
No-load current : 4.71/2.36 A
Full load torque : 13.2 lb.ft
Locked rotor torque : 230 %
Breakdown torque : 290 %
Design : B
Insulation class : F
Temperature rise : 80 K
Locked rotor time : 46 s (hot)
Service factor : 1.15
Duty cycle : S1
Ambient temperature : -20°C - +40°C
Altitude : 1000 m
Degree of Protection : IP55
Approximate weight : 130 lb
Moment of inertia : 1.0807 sq.ft.lb
Noise level : 55 dB(A)

	D.E.	N.D.E.
Bearings	6208 ZZ	6206 ZZ
Regreasing interval	---	---
Grease amount	---	---

Load	Power factor	Efficiency (%)
100%	0.74	89.5
75%	0.67	88.5
50%	0.55	85.5

Notes:
Downloaded from <http://dealerselectric.com>
Generated for Model #00312ET3E213T-SG

Performed by

Checked



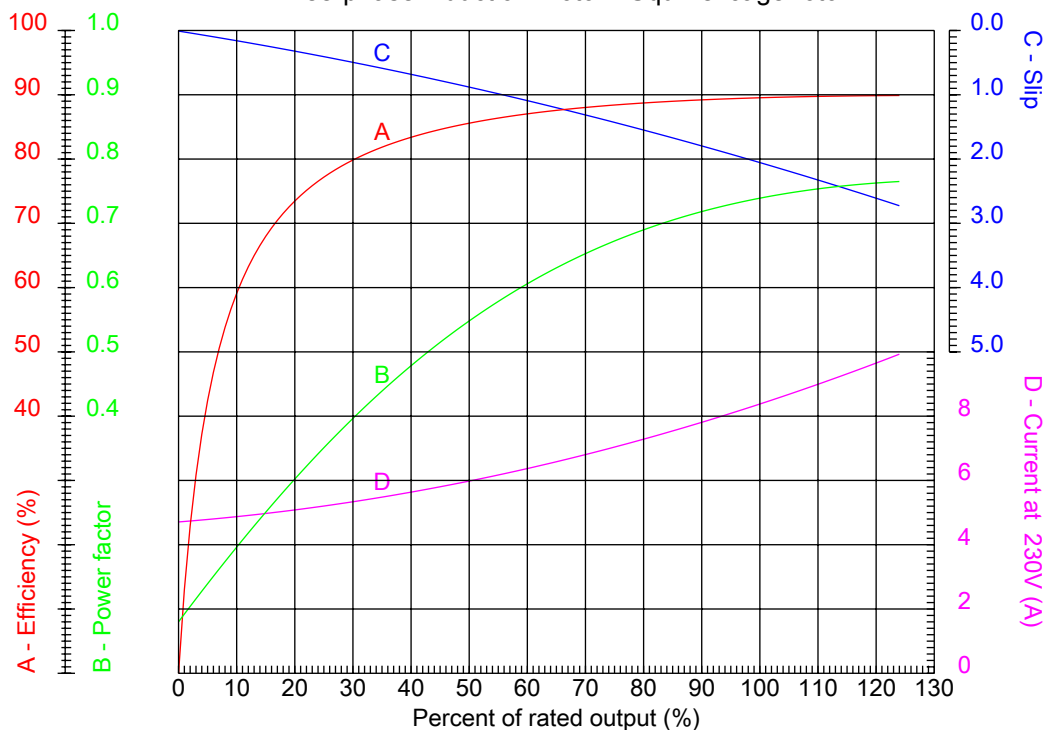
Dealers Industrial Equipment

No.:

Date: 12-SEP-2016

PERFORMANCE CURVES RELATED TO RATED OUTPUT

Three-phase induction motor - Squirrel cage rotor



Customer :
Product line : W01 (Rolled Steel) General Purpose TEFC

Frame : 213/5T	Locked rotor current (I _l /I _n) : 6.4
Output : 3 HP	Duty cycle : S1
Frequency : 60 Hz	Service factor : 1.15
Full load speed : 1175 rpm	Design : B
Voltage : 208-230/460 V	Locked rotor torque : 230 %
Rated current : 9.22-8.34/4.17 A	Breakdown torque : 290 %
Insulation class : F	

Notes:
Downloaded from <http://dealerselectric.com>
Generated for Model #00312ET3E213T-SG

Performed by

Checked



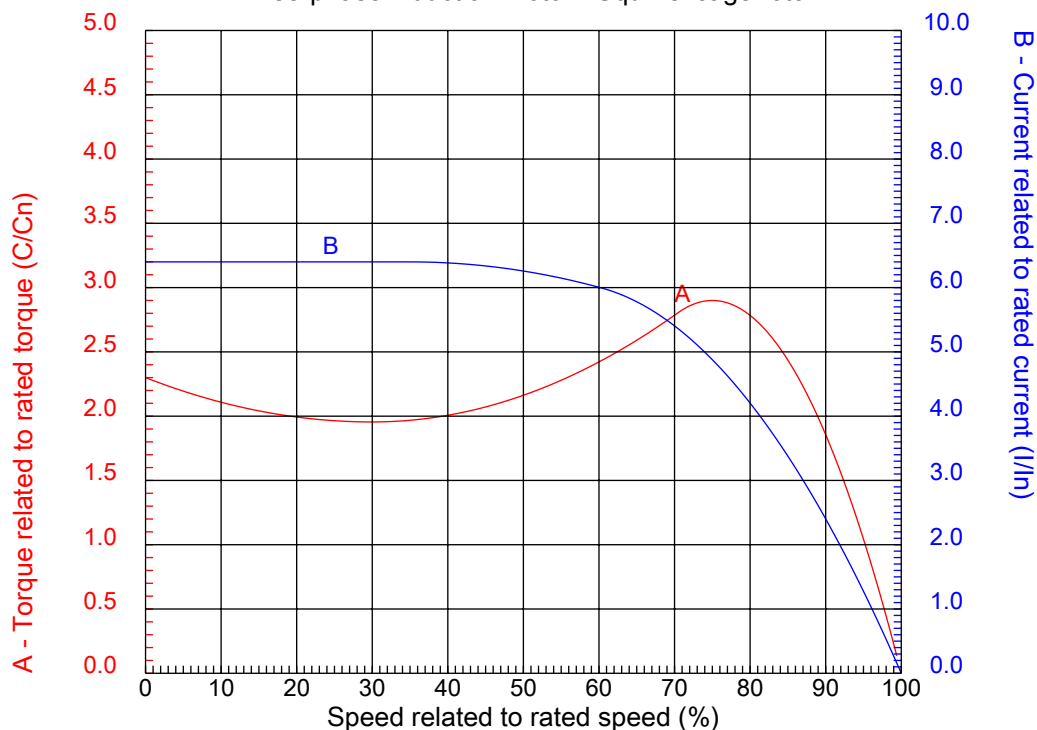
Dealers Industrial Equipment

No.:

Date: 12-SEP-2016

CHARACTERISTIC CURVES RELATED TO SPEED

Three-phase induction motor - Squirrel cage rotor



Customer :
Product line : W01 (Rolled Steel) General Purpose TEFC

Frame	: 213/5T	Locked rotor current (I _l /I _n)	: 6.4
Output	: 3 HP	Duty cycle	: S1
Frequency	: 60 Hz	Service factor	: 1.15
Full load speed	: 1175 rpm	Design	: B
Voltage	: 208-230/460 V	Locked rotor torque	: 230 %
Rated current	: 9.22-8.34/4.17 A	Breakdown torque	: 290 %
Insulation class	: F		

Notes:
Downloaded from <http://dealerselectric.com>
Generated for Model #00312ET3E213T-SG

Performed by

Checked

1 2 3 4 5 6 7 8

A

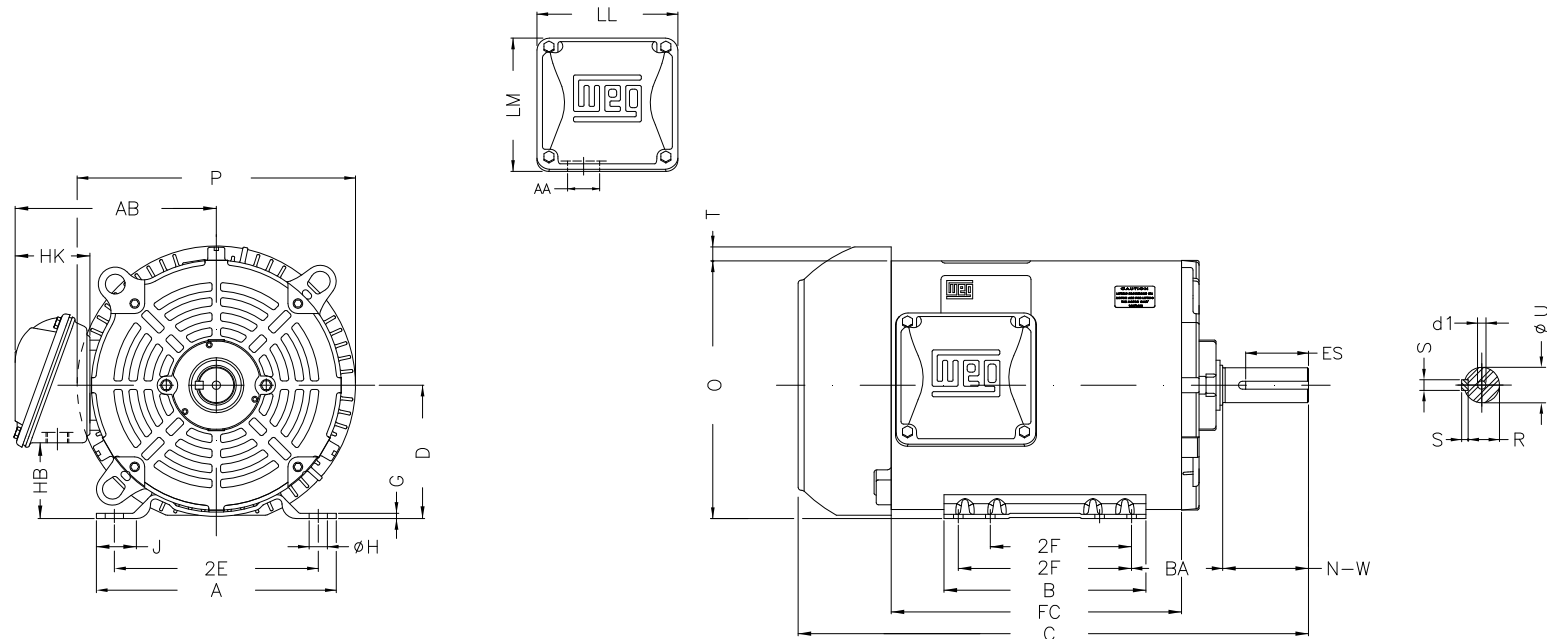
B

C

D

E

F



Notes: Downloaded from <http://dealerselectric.com>
Generated for Model #00312ET3E213T-SG

Performed by:

Checked:

Customer:

W01 (Rolled Steel) General Purpose TEFC

Three-phase induction motor
Frame 213/5T - IP55

12-SEP-2016



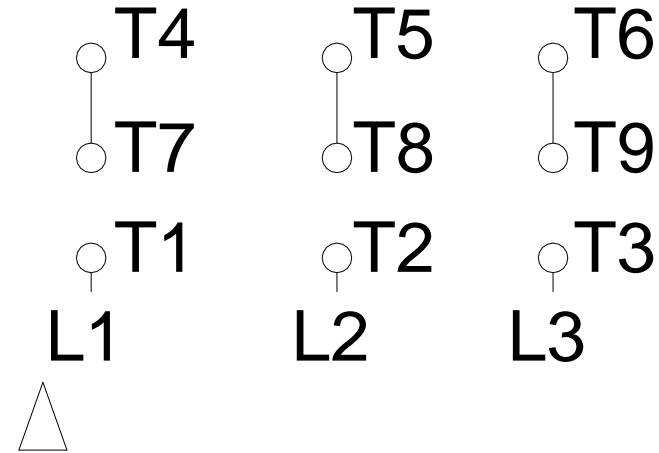
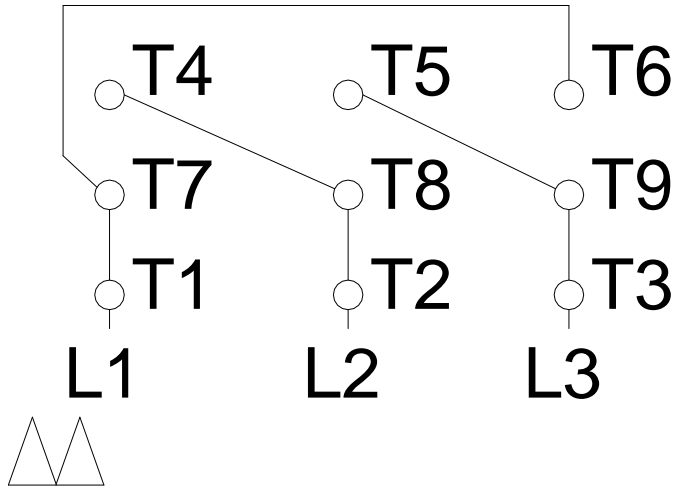
P	AB	J	2E	A
10.965	7.973	1.575	8.500	9.449
H	G	HB	HK	T
0.406	0.167	2.982	3.022	0.761
O	FC	2F	B	C
10.144	10.630	5.500/7.000	7.953	19.291
BA	N-W	ES	d1	S
3.500	3.380	2.480	A 4	0.313
U	AA	depth	R	LL
1.375	1.377"	0.313	1.203	5.551
LM	BB	D	CH	
5.250	0.761	5.250	1.929	

1 2 3 4 5 6 7 8

LOW VOLTAGE

HIGH VOLTAGE

A
B
C
D
E
F



Notes: Downloaded from http://dealerselectric.com Generated for Model #00312ET3E213T-SG		
Performed by:		
Checked:		
Customer:		
W01 (Rolled Steel) General Purpose TEFC		
Three-phase induction motor Frame 213/5T - IP55	12-SEP-2016	