



Dealers Industrial Equipment

No.:

Date: 12-SEP-2016

Customer :

TECHNICAL PROPOSAL

Three-phase induction motor - Squirrel cage rotor

Product line : Oil Well Pumping : High Slip - NEMA Design "D" - TEFC (IP55)

Catalog Number : 00312ES3EOW215T

List Price : \$1,027

Notes:

Downloaded from <http://dealerselectric.com>

Generated for Model #00312ES3EOW215T

Performed by:

Checked:



Dealers Industrial Equipment

No.:

Date: 12-SEP-2016

### DATA SHEET

#### Three-phase induction motor - Squirrel cage rotor

Customer :  
 Product line : Oil Well Pumping : High Slip - NEMA Design "D" - TEFC (IP55)

Frame : 215T  
 Output : 3 HP  
 Frequency : 60 Hz  
 Poles : 6  
 Full load speed : 1060 rpm  
 Slip : 11.67 %  
 Voltage : 208-230/460 V  
 Rated current : 11.0-9.96/4.98 A  
 Locked rotor current : 44.8/22.4 A  
 Locked rotor current (I<sub>L</sub>/I<sub>n</sub>) : 4.5  
 No-load current : 6.00/3.00 A  
 Full load torque : 14.7 lb.ft  
 Locked rotor torque : 350 %  
 Breakdown torque : 0 %  
 Design : D  
 Insulation class : F  
 Temperature rise : 80 K  
 Locked rotor time : 19 s (hot)  
 Service factor : 1.15  
 Duty cycle : S1  
 Ambient temperature : -20°C - +40°C  
 Altitude : 1000 m  
 Degree of Protection : IP55  
 Approximate weight : 125 lb  
 Moment of inertia : 0.92001 sq.ft.lb  
 Noise level : 55 dB(A)

	D.E.	N.D.E.
Bearings	6308 ZZ	6207 ZZ
Regreasing interval	---	---
Grease amount	---	---

Load	Power factor	Efficiency (%)
100%	0.73	73.9
75%	0.65	75.0
50%	0.54	73.9

Notes:  
 Downloaded from <http://dealerselectric.com>  
 Generated for Model #00312ES3EOW215T

Performed by

Checked



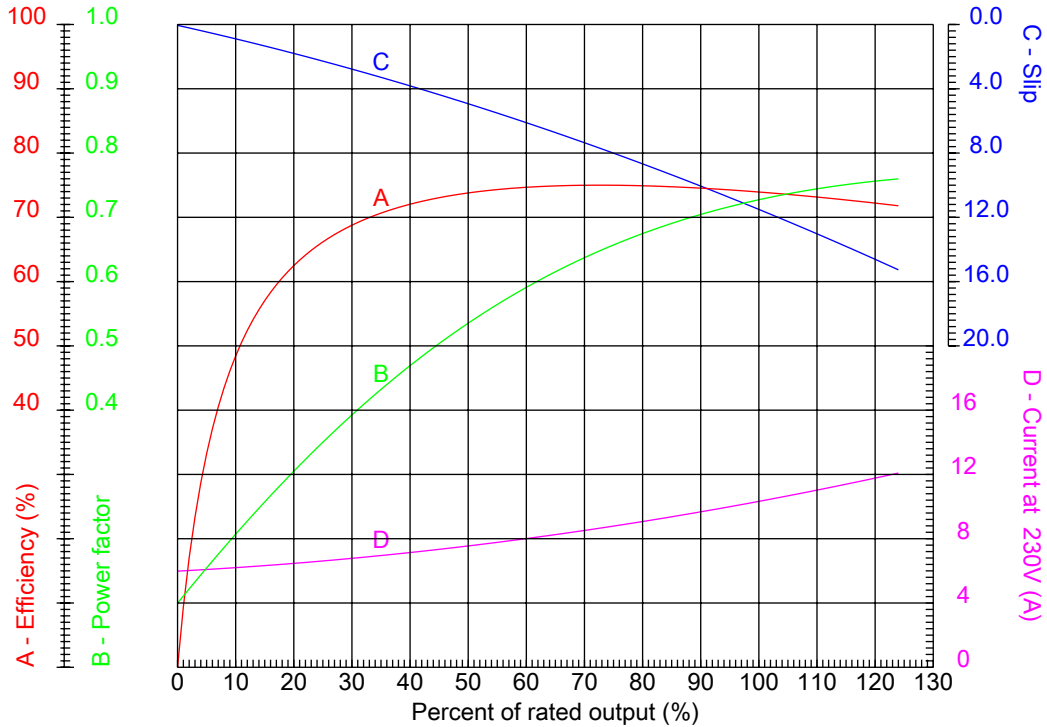
# Dealers Industrial Equipment

No.:

Date: 12-SEP-2016

## PERFORMANCE CURVES RELATED TO RATED OUTPUT

Three-phase induction motor - Squirrel cage rotor



Customer :  
 Product line : Oil Well Pumping : High Slip - NEMA Design "D" - TEFC (IP55)

Frame	: 215T	Locked rotor current (I <sub>l</sub> /I <sub>n</sub> )	: 4.5
Output	: 3 HP	Duty cycle	: S1
Frequency	: 60 Hz	Service factor	: 1.15
Full load speed	: 1060 rpm	Design	: D
Voltage	: 208-230/460 V	Locked rotor torque	: 350 %
Rated current	: 11.0-9.96/4.98 A	Breakdown torque	: 0 %
Insulation class	: F		

Notes:  
 Downloaded from <http://dealerselectric.com>  
 Generated for Model #00312ES3EOW215T

Performed by

Checked



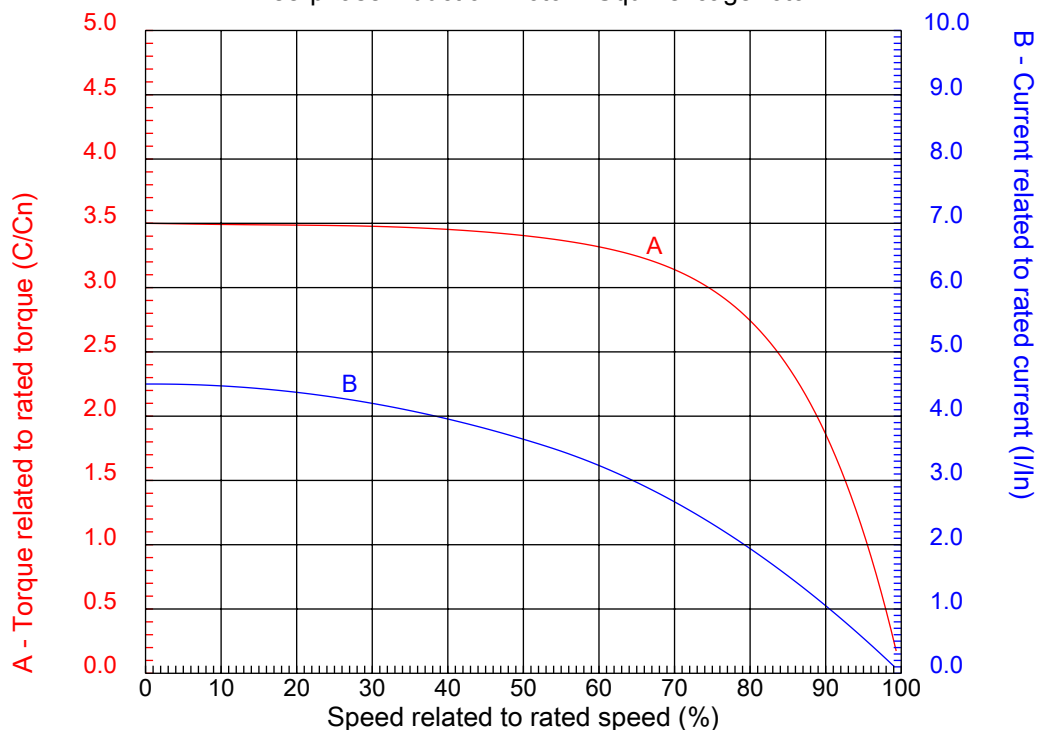
# Dealers Industrial Equipment

No.:

Date: 12-SEP-2016

## CHARACTERISTIC CURVES RELATED TO SPEED

Three-phase induction motor - Squirrel cage rotor



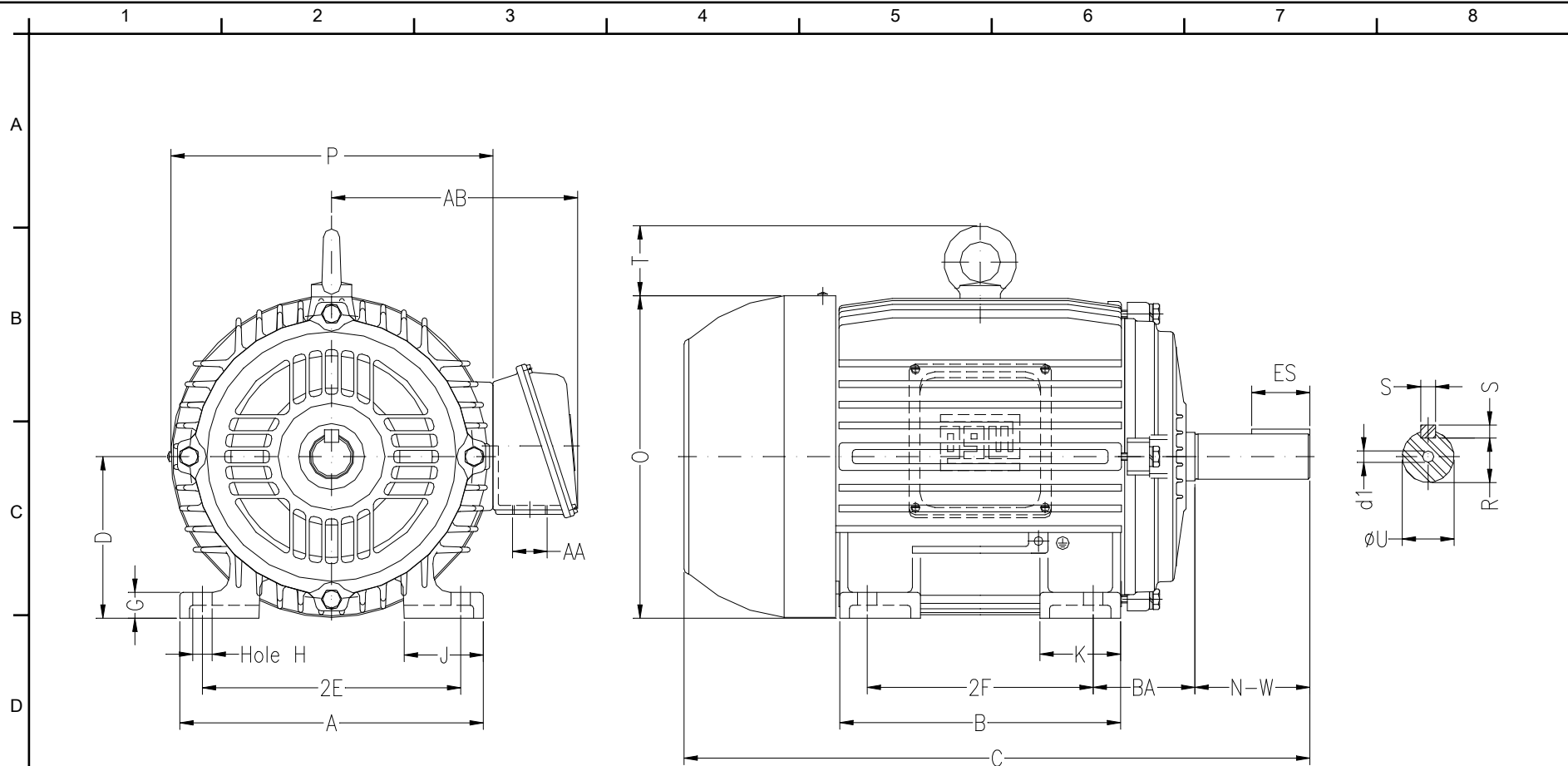
Customer :  
Product line : Oil Well Pumping : High Slip - NEMA Design "D" - TEFC (IP55)

Frame	: 215T	Locked rotor current (I <sub>l</sub> /I <sub>n</sub> )	: 4.5
Output	: 3 HP	Duty cycle	: S1
Frequency	: 60 Hz	Service factor	: 1.15
Full load speed	: 1060 rpm	Design	: D
Voltage	: 208-230/460 V	Locked rotor torque	: 350 %
Rated current	: 11.0-9.96/4.98 A	Breakdown torque	: 298 %
Insulation class	: F		

Notes:  
Downloaded from <http://dealerselectric.com>  
Generated for Model #00312ES3EOW215T

Performed by

Checked



Notes: Downloaded from <http://dealerselectric.com>  
 Generated for Model #00312ES3EOW215T

Performed by:

Checked:

Customer:

Oil Well Pumping : High Slip - NEMA Design "D" - TEFC (IP55)

Three-phase induction motor  
 Frame 215T - IP55

12-SEP-2016



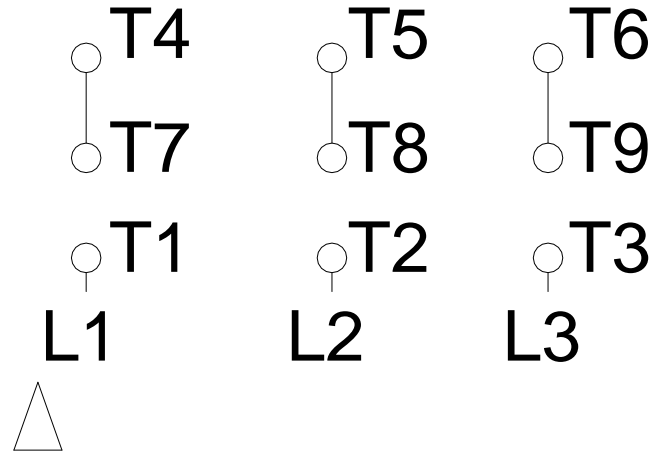
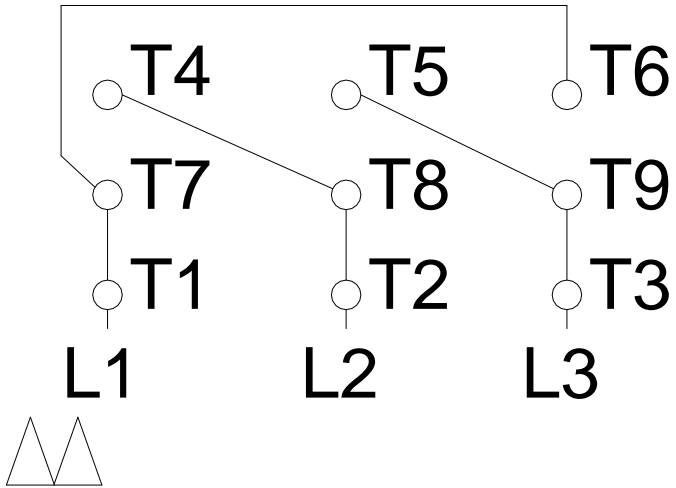
2E 8.500	A 9.764	2F 7.000	B 8.858	BA 3.500
J 2.008	K 2.165	P 10.630	ES 2.480	depth 0.313
S 0.313	N-W 3.375	U 1.375	R 1.203	AB 8.149
D 5.250	G 0.827	O 10.841	T 1.772	H 0.406
C 19.517	AA NPT 1"	d1 A 4	d2 A 4	

1 2 3 4 5 6 7 8

# LOW VOLTAGE

# HIGH VOLTAGE

A  
B  
C  
D  
E  
F



Notes: Downloaded from <http://dealerselectric.com>  
Generated for Model #00312ES3EOW215T

Performed by:

Checked:

Customer:

Oil Well Pumping : High Slip - NEMA Design "D" - TEFC (IP55)

Three-phase induction motor  
Frame 215T - IP55

12-SEP-2016

