



Dealers Industrial Equipment

No.:

Date: 12-SEP-2016

Customer :

TECHNICAL PROPOSAL

Three-phase induction motor - Squirrel cage rotor

Product line : W22 Oil Well Pumping : High Slip - NEMA Design "D" - TEFC (IP55)

Catalog Number : 00312ES3EOW215T-W22

List Price : \$1,027

Notes:

Downloaded from <http://dealerselectric.com>

Generated for Model #00312ES3EOW215T-W22

Performed by:

Checked:



Dealers Industrial Equipment

No.:

Date: 12-SEP-2016

DATA SHEET Three-phase induction motor - Squirrel cage rotor

Customer :
Product line : W22 Oil Well Pumping : High Slip - NEMA Design "D" - TEFC (IP55)

Frame : 213/5T
Output : 3 HP
Frequency : 60 Hz
Poles : 6
Full load speed : 1050 rpm
Slip : 12.50 %
Voltage : 208-230/460 V
Rated current : 11.3-9.96/4.98 A
Locked rotor current : 44.8/22.4 A
Locked rotor current (I_L/I_n) : 4.5
No-load current : 5.50/2.75 A
Full load torque : 14.8 lb.ft
Locked rotor torque : 350 %
Breakdown torque : 0 %
Design : D
Insulation class : F
Temperature rise : 80 K
Locked rotor time : 20 s (hot)
Service factor : 1.15
Duty cycle : S1
Ambient temperature : -20°C - +40°C
Altitude : 1000 m
Degree of Protection : IP55
Approximate weight : 126 lb
Moment of inertia : 0.68414 sq.ft.lb
Noise level : 55 dB(A)

	D.E.	N.D.E.
Bearings	6308 ZZ	6207 ZZ
Regreasing interval	---	---
Grease amount	---	---

Load	Power factor	Efficiency (%)
100%	0.75	74.0
75%	0.67	75.5
50%	0.56	74.0

Notes:
Downloaded from <http://dealerselectric.com>
Generated for Model #00312ES3EOW215T-W22

Performed by

Checked



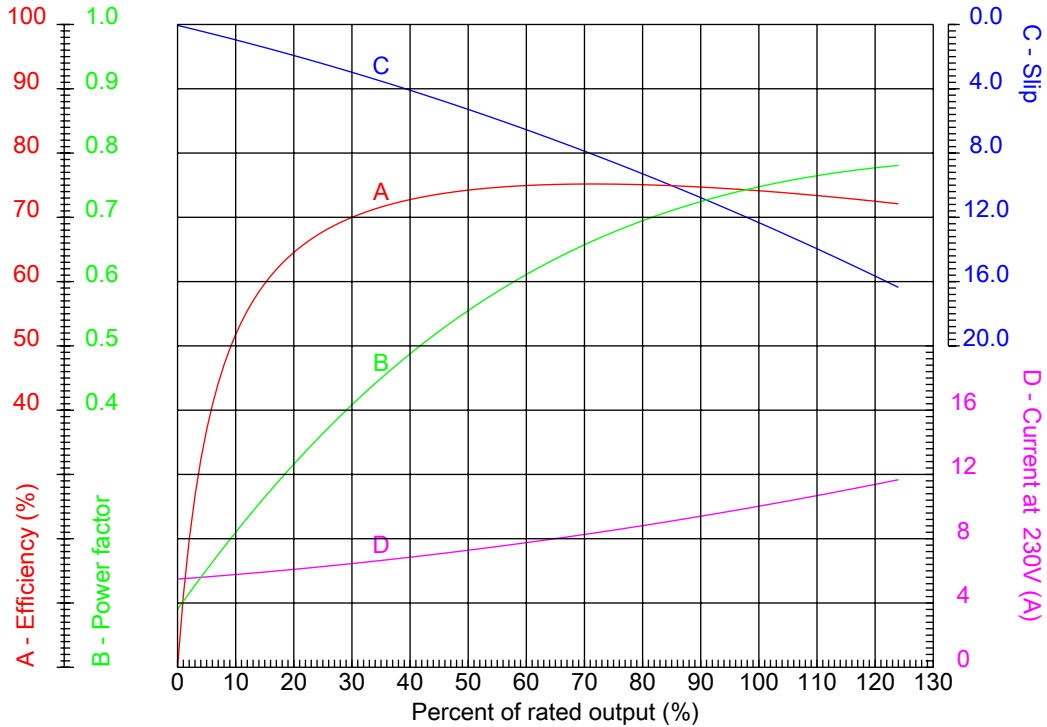
Dealers Industrial Equipment

No.:

Date: 12-SEP-2016

PERFORMANCE CURVES RELATED TO RATED OUTPUT

Three-phase induction motor - Squirrel cage rotor



Customer :
 Product line : W22 Oil Well Pumping : High Slip - NEMA Design "D" - TEFC (IP55)

Frame	: 213/5T	Locked rotor current (I _l /I _n)	: 4.5
Output	: 3 HP	Duty cycle	: S1
Frequency	: 60 Hz	Service factor	: 1.15
Full load speed	: 1050 rpm	Design	: D
Voltage	: 208-230/460 V	Locked rotor torque	: 350 %
Rated current	: 11.3-9.96/4.98 A	Breakdown torque	: 0 %
Insulation class	: F		

Notes:
 Downloaded from <http://dealerselectric.com>
 Generated for Model #00312ES3EOW215T-W22

Performed by

Checked



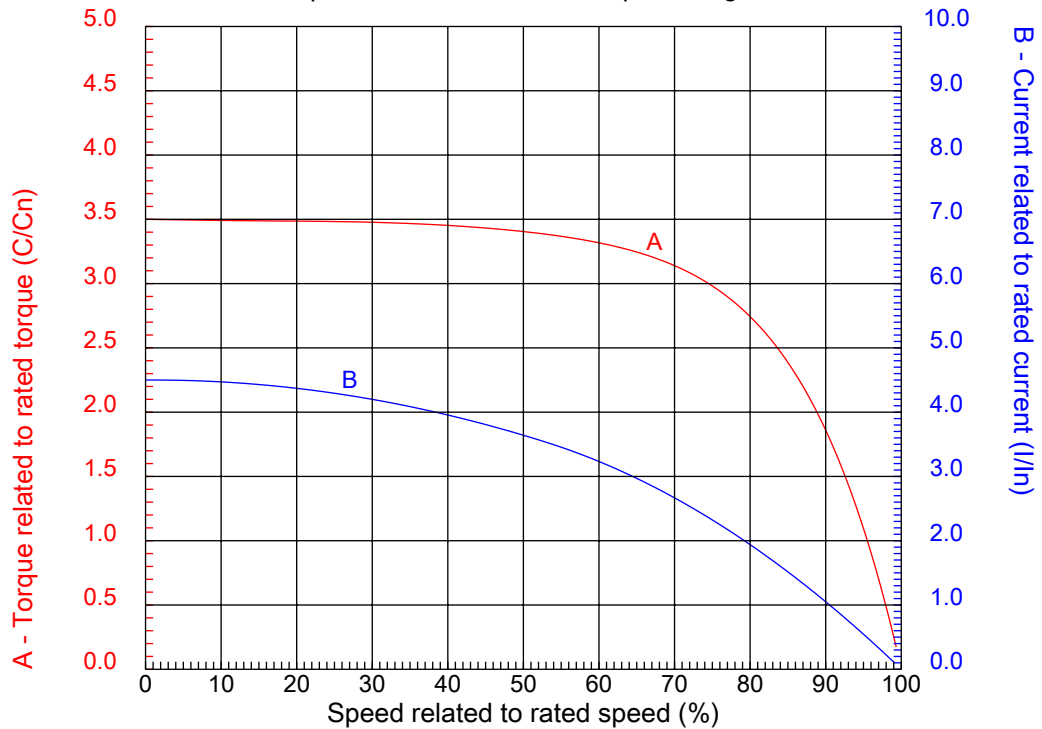
Dealers Industrial Equipment

No.:

Date: 12-SEP-2016

CHARACTERISTIC CURVES RELATED TO SPEED

Three-phase induction motor - Squirrel cage rotor



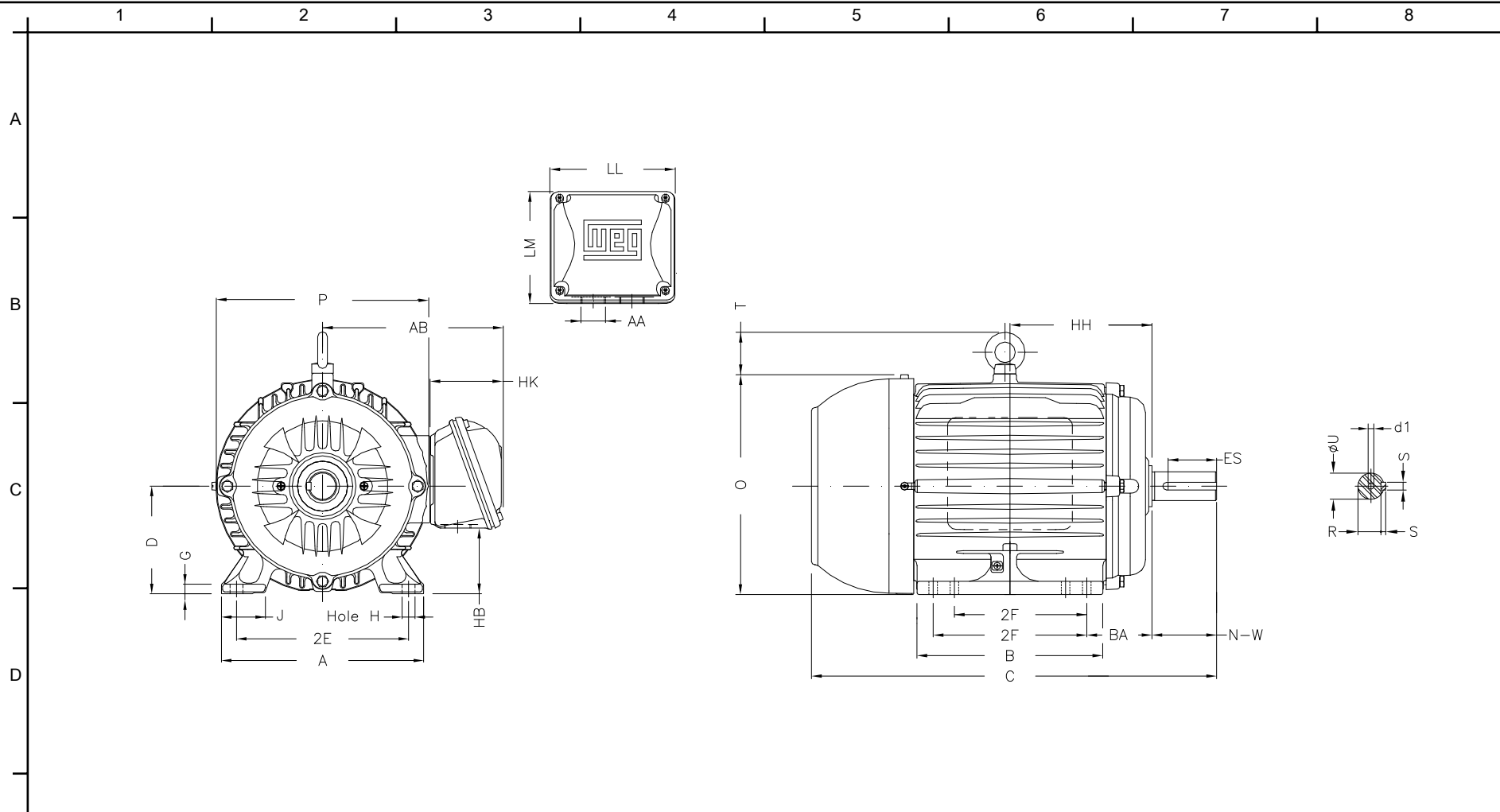
Customer :
Product line : W22 Oil Well Pumping : High Slip - NEMA Design "D" - TEFC (IP55)

Frame	: 213/5T	Locked rotor current (I _l /I _n)	: 4.5
Output	: 3 HP	Duty cycle	: S1
Frequency	: 60 Hz	Service factor	: 1.15
Full load speed	: 1050 rpm	Design	: D
Voltage	: 208-230/460 V	Locked rotor torque	: 350 %
Rated current	: 11.3-9.96/4.98 A	Breakdown torque	: 298 %
Insulation class	: F		

Notes:
Downloaded from <http://dealerselectric.com>
Generated for Model #00312ES3EOW215T-W22

Performed by

Checked



Notes: Downloaded from <http://dealerselectric.com>
 Generated for Model #00312ES3EOW215T-W22

2E 8.500	J 1.772	A 9.764	P 10.669	AB 8.583
2F 5.500/7.000	K 2.165	B 8.858	BA 3.500	FBA 5.921
U 1.375	N-W 3.375	ES 2.480	S 0.313	R 1.203
depth 0.313	D 5.250	G 0.669	HB 2.985	O 10.841
T 1.772	HF 5.250	HH 7.000	HK 3.150	H 0.410
C 19.517	LL 5.512	LM 5.236	AA NPT 1"	d1 A 4
d2 A 4				

Performed by:	
Checked:	
Customer:	
W22 Oil Well Pumping : High Slip - NEMA Design "D" - TEFC (IP55)	
Three-phase induction motor Frame 213/5T - IP55	12-SEP-2016

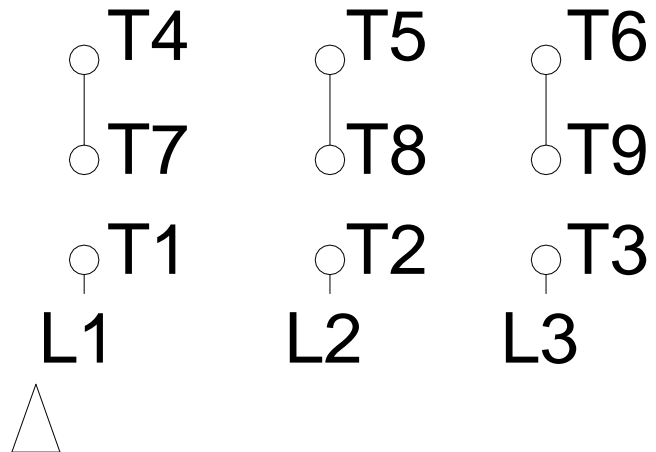
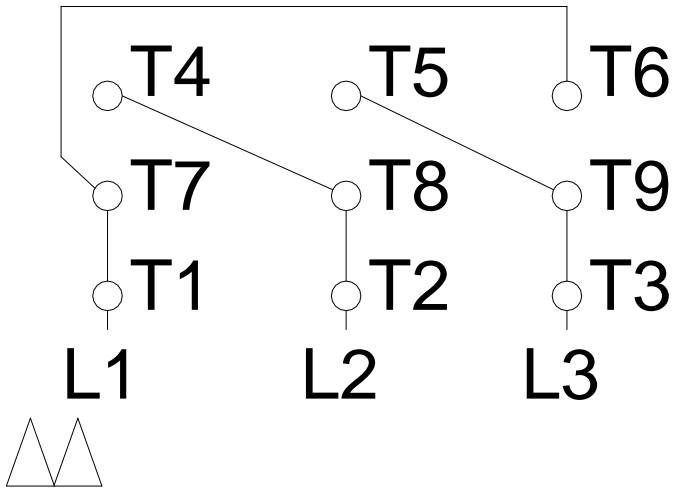


1 2 3 4 5 6 7 8

LOW VOLTAGE

HIGH VOLTAGE

A
B
C
D
E
F



Notes: Downloaded from <http://dealerselectric.com>
 Generated for Model #00312ES3EOW215T-W22

Performed by:

Checked:

Customer:

W22 Oil Well Pumping : High Slip - NEMA Design "D" - TEFC (IP55)

Three-phase induction motor
 Frame 213/5T - IP55

12-SEP-2016

