



Dealers Industrial Equipment

No.:

Date: 12-SEP-2016

Customer :

TECHNICAL PROPOSAL

## Single-phase induction motor - Squirrel cage rotor

Product line : Single-Phase : W21 TEFC (IP55)

Catalog Number : 00312ES1E215T

List Price : \$1,327

Notes:

Downloaded from <http://dealerselectric.com>

Generated for Model #00312ES1E215T

Performed by:

Checked:



# Dealers Industrial Equipment

No.:

Date: 12-SEP-2016

## DATA SHEET Single-phase induction motor - Squirrel cage rotor

Customer :  
Product line : Single-Phase : W21 TEFC (IP55)

Frame : W213/5T  
Output : 3 HP  
Frequency : 60 Hz  
Poles : 6  
Full load speed : 1160 rpm  
Slip : 3.33 %  
Voltage : 208-230/460 V  
Rated current : 14.8-13.4/6.70 A  
Locked rotor current : 80.4/40.2 A  
Locked rotor current (I<sub>L</sub>/I<sub>n</sub>) : 6.0  
No-load current : 4.80/2.40 A  
Full load torque : 13.4 lb.ft  
Locked rotor torque : 200 %  
Breakdown torque : 200 %  
Design : ---  
Insulation class : F  
Temperature rise : 80 K  
Locked rotor time : 6 s (hot)  
Service factor : 1.15  
Duty cycle : S1  
Ambient temperature : -20°C - +40°C  
Altitude : 1000 m  
Degree of Protection : IP55  
Approximate weight : 126 lb  
Moment of inertia : 0.60986 sq.ft.lb  
Noise level : ---

	D.E.	N.D.E.	Load	Power factor	Efficiency (%)
Bearings	6308 ZZ	6206 ZZ	100%	0.92	80.0
Regreasing interval	---	---	75%	0.91	79.0
Grease amount	---	---	50%	0.87	74.0

Notes:  
Downloaded from <http://dealerselectric.com>  
Generated for Model #00312ES1E215T

Performed by

Checked



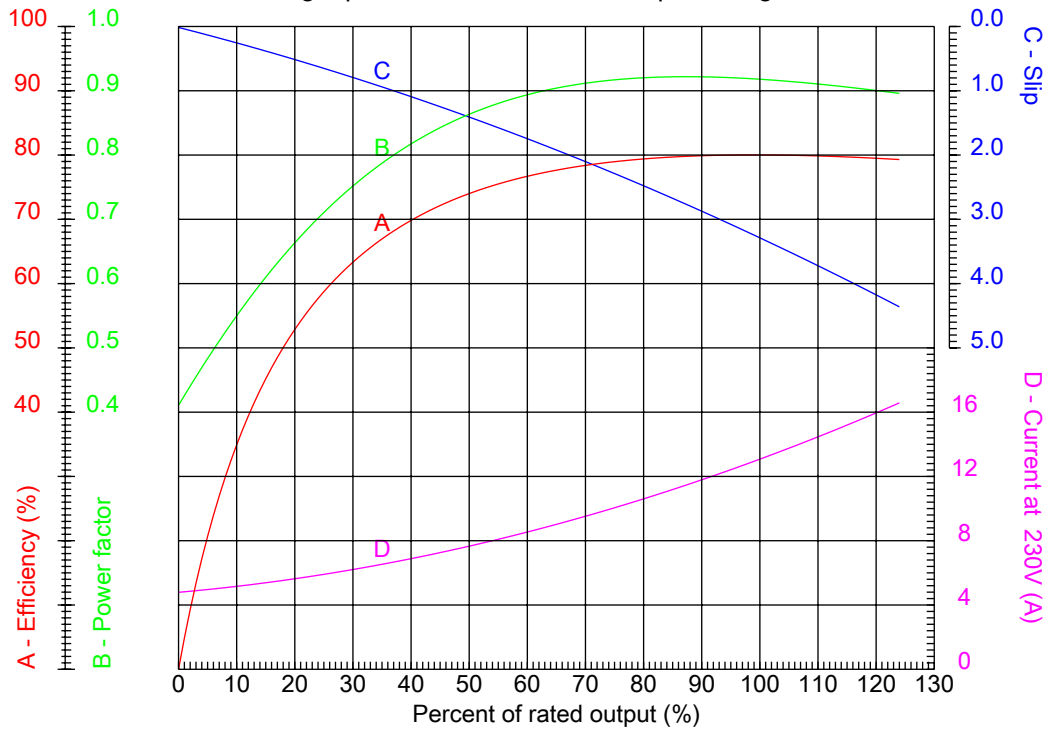
# Dealers Industrial Equipment

No.:

Date: 12-SEP-2016

## PERFORMANCE CURVES RELATED TO RATED OUTPUT

Single-phase induction motor - Squirrel cage rotor



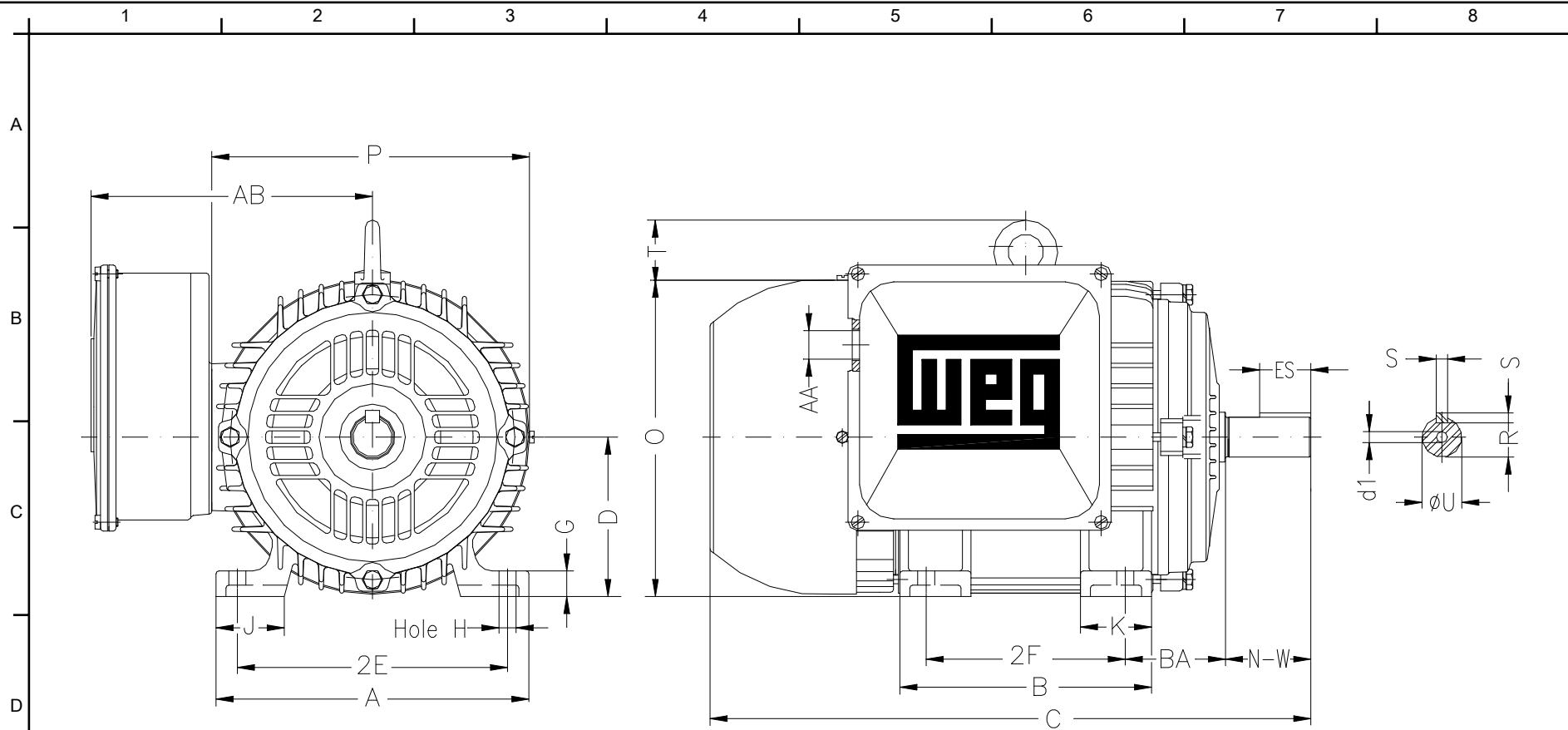
Customer :  
Product line : Single-Phase : W21 TEFC (IP55)

Frame	: W213/5T	Locked rotor current (I <sub>l</sub> /I <sub>n</sub> )	: 6.0
Output	: 3 HP	Duty cycle	: S1
Frequency	: 60 Hz	Service factor	: 1.15
Full load speed	: 1160 rpm	Design	: ---
Voltage	: 208-230/460 V	Locked rotor torque	: 200 %
Rated current	: 14.8-13.4/6.70 A	Breakdown torque	: 200 %
Insulation class	: F		

Notes:  
Downloaded from <http://dealerselectric.com>  
Generated for Model #00312ES1E215T

Performed by

Checked



Notes: Downloaded from <http://dealerselectric.com>  
 Generated for Model #00312ES1E215T

Performed by:

Checked:

Customer:

Single-Phase : W21 TEFC (IP55)

Single-phase induction motor  
 Frame W213/5T - IP55

12-SEP-2016



2E 8.500	2F 5.500/7.000	H 0.406	BA 3.500	A 9.764
B 8.858	C 19.882	D 5.250	G 0.866	J 2.008
K 3.346	O 10.093	P 8.750	ES 2.480	S 0.313
N-W 3.375	U 1.375	R 1.203	AB 7.953	AA NPT 1"
d1 A4				