



Dealers Industrial Equipment

No.:

Date: 12-SEP-2016

Customer :

TECHNICAL PROPOSAL

Three-phase induction motor - Squirrel cage rotor

Product line : W22 High Efficiency

Catalog Number : 00312EP3ER213TC-W22

List Price : \$943

Notes:

Downloaded from <http://dealerselectric.com>

Generated for Model #00312EP3ER213TC-W22

Performed by:

Checked:



Dealers Industrial Equipment

No.:

Date: 12-SEP-2016

DATA SHEET Three-phase induction motor - Squirrel cage rotor

Customer :
Product line : W22 High Efficiency

Frame : 213T
 Output : 3 HP
 Frequency : 60 Hz
 Poles : 6
 Full load speed : 1170 rpm
 Slip : 2.50 %
 Voltage : 230/460 V
 Rated current : 8.30/4.15 A
 Locked rotor current : 50.6/25.3 A
 Locked rotor current (I_L/I_n) : 6.1
 No-load current : 5.00/2.50 A
 Full load torque : 13.3 lb.ft
 Locked rotor torque : 180 %
 Breakdown torque : 240 %
 Design : B
 Insulation class : F
 Temperature rise : 80 K
 Locked rotor time : 76 s (hot)
 Service factor : 1.25
 Duty cycle : S1
 Ambient temperature : -20°C - +40°C
 Altitude : 1000 m
 Degree of Protection : IP55
 Approximate weight : 110 lb
 Moment of inertia : 0.99334 sq.ft.lb
 Noise level : 55 dB(A)

	D.E.	N.D.E.
Bearings	6308 ZZ	6207 ZZ
Regreasing interval	---	---
Grease amount	---	---

Load	Power factor	Efficiency (%)
100%	0.74	87.5
75%	0.68	86.5
50%	0.56	84.0

Notes:

Downloaded from <http://dealerselectric.com>
Generated for Model #00312EP3ER213TC-W22

Performed by

Checked



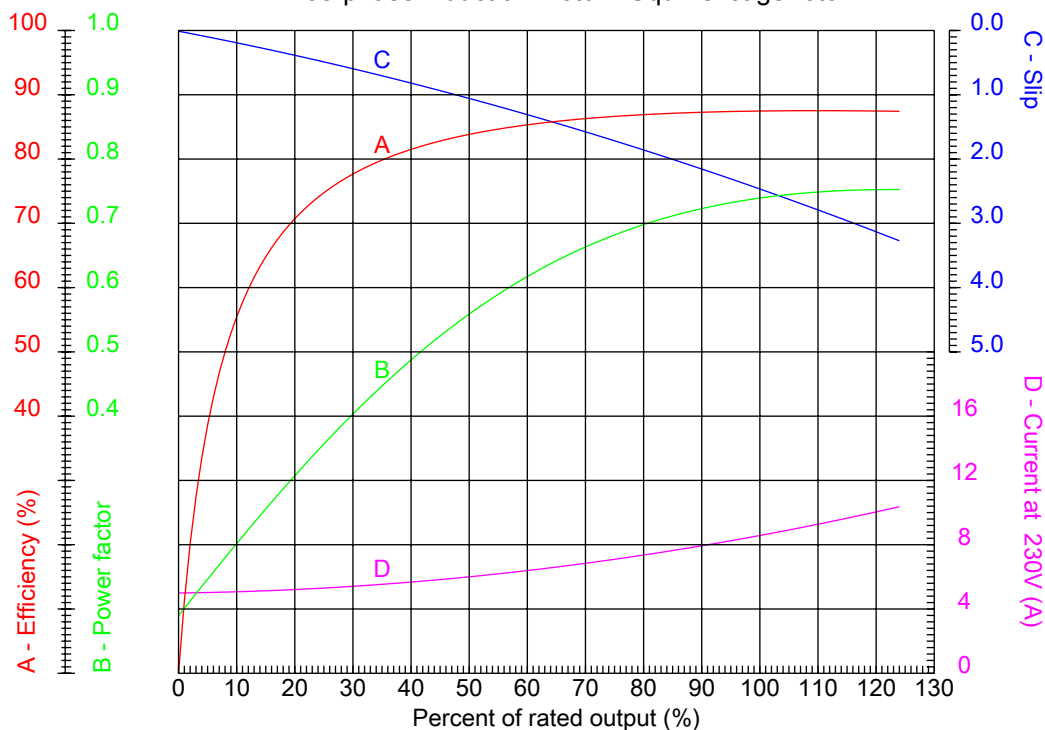
Dealers Industrial Equipment

No.:

Date: 12-SEP-2016

PERFORMANCE CURVES RELATED TO RATED OUTPUT

Three-phase induction motor - Squirrel cage rotor



Customer :
 Product line : W22 High Efficiency

Frame : 213T	Locked rotor current (I _L /I _n) : 6.1
Output : 3 HP	Duty cycle : S1
Frequency : 60 Hz	Service factor : 1.25
Full load speed : 1170 rpm	Design : B
Voltage : 230/460 V	Locked rotor torque : 180 %
Rated current : 8.30/4.15 A	Breakdown torque : 240 %
Insulation class : F	

Notes:
 Downloaded from <http://dealerselectric.com>
 Generated for Model #00312EP3ER213TC-W22

Performed by

Checked



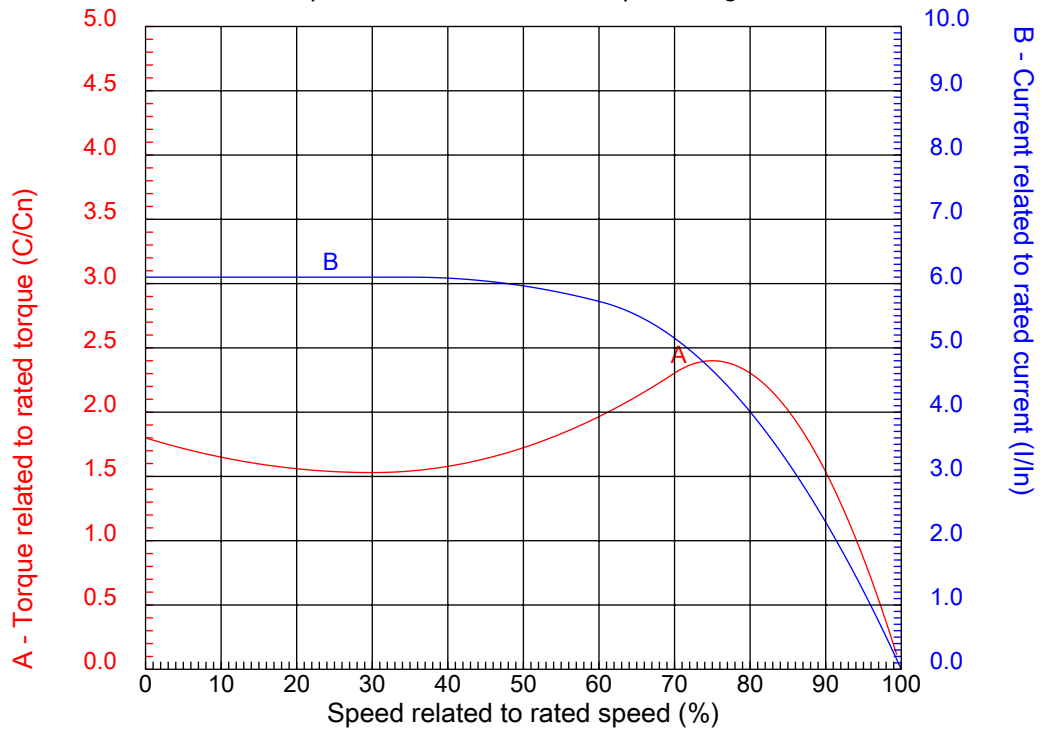
Dealers Industrial Equipment

No.:

Date: 12-SEP-2016

CHARACTERISTIC CURVES RELATED TO SPEED

Three-phase induction motor - Squirrel cage rotor



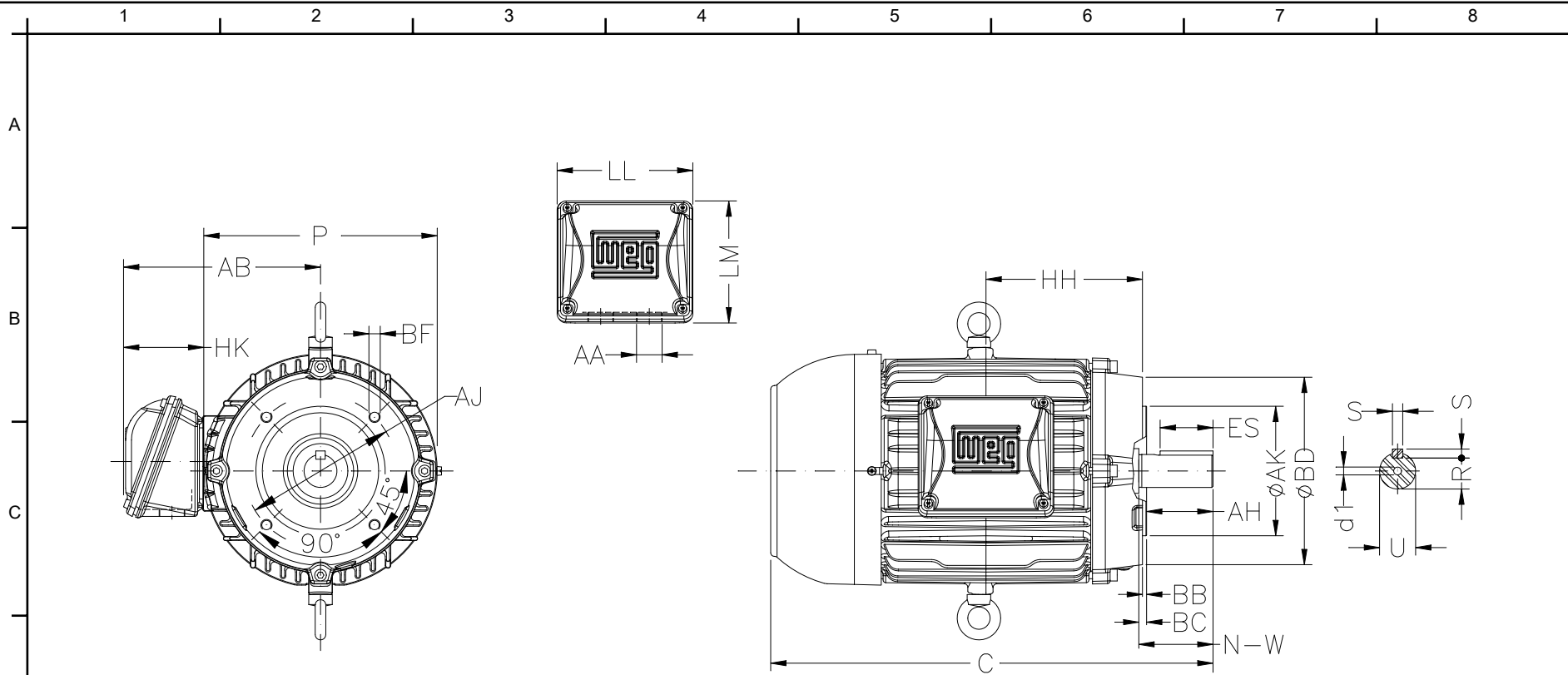
Customer :
Product line : W22 High Efficiency

Frame	: 213T	Locked rotor current (I _l /I _n)	: 6.1
Output	: 3 HP	Duty cycle	: S1
Frequency	: 60 Hz	Service factor	: 1.25
Full load speed	: 1170 rpm	Design	: B
Voltage	: 230/460 V	Locked rotor torque	: 180 %
Rated current	: 8.30/4.15 A	Breakdown torque	: 240 %
Insulation class	: F		

Notes:
Downloaded from <http://dealerselectric.com>
Generated for Model #00312EP3ER213TC-W22

Performed by

Checked



Notes: Downloaded from <http://dealerselectric.com>
 Generated for Model #00312EP3ER213TC-W22

Performed by:

Checked:

Customer:

W22 High Efficiency

P	AB	U	N-W	ES
10.669	8.583	1.375	3.375	2.480
S	R	depth	HH	HK
0.313	1.203	0.313	6.250	3.150
C	LL	LM	AA	d1
18.021	5.512	5.236	NPT 1"	A 4
Flange	AJ	AK	BD	BF
FC-184	7.250	8.500	8.875	UNC 1/2"x13
BB	BC	AH		
0.250	0.250	3.125		

Three-phase induction motor
 Frame 213T - IP55

12-SEP-2016

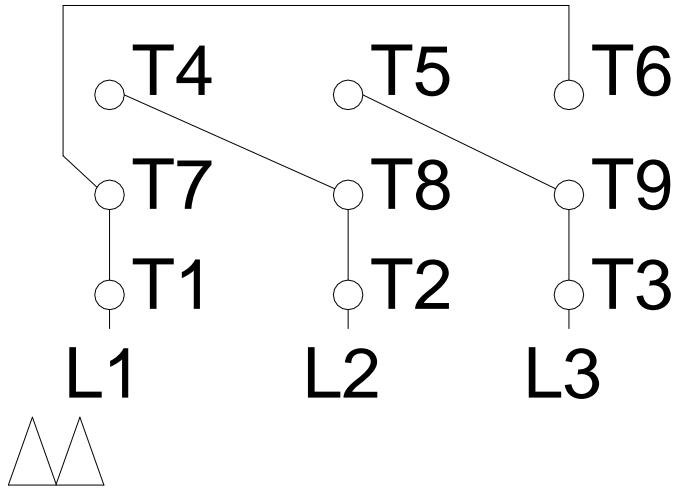


1 2 3 4 5 6 7 8

LOW VOLTAGE

HIGH VOLTAGE

A
B
C
D
E
F



Notes: Downloaded from http://dealerselectric.com Generated for Model #00312EP3ER213TC-W22		
Performed by:		
Checked:		
Customer:		
W22 High Efficiency		
Three-phase induction motor Frame 213T - IP55	12-SEP-2016	