



Dealers Industrial Equipment

No.:

Date: 12-SEP-2016

Customer :

TECHNICAL PROPOSAL

Three-phase induction motor - Squirrel cage rotor

Product line : W22 Super Premium
Catalog Number : 00312EG3EL213T-W22
List Price : \$>(discontinued)

Notes:
Downloaded from <http://dealerselectric.com>
Generated for Model #00312EG3EL213T-W22

Performed by:

Checked:



Dealers Industrial Equipment

No.:

Date: 12-SEP-2016

DATA SHEET Three-phase induction motor - Squirrel cage rotor

Customer :
Product line : W22 Super Premium

Frame : L213T
Output : 3 HP
Frequency : 60 Hz
Poles : 6
Full load speed : 1175 rpm
Slip : 2.08 %
Voltage : 208-230/460 V
Rated current : 8.62/4.31 A
Locked rotor current : 62.1/31.0 A
Locked rotor current (I_L/I_n) : 7.2
No-load current : 5.13/2.57 A
Full load torque : 13.2 lb.ft
Locked rotor torque : 180 %
Breakdown torque : 290 %
Design : A
Insulation class : F
Temperature rise : 80 K
Locked rotor time : 90 s (hot)
Service factor : 1.25 (1.00 at 208V)
Duty cycle : S1
Ambient temperature : -20°C - +40°C
Altitude : 1000 m
Degree of Protection : IP55
Approximate weight : 172 lb
Moment of inertia : 1.5268 sq.ft.lb
Noise level : 55 dB(A)

	D.E.	N.D.E.
Bearings	6308 ZZ	6207 ZZ
Regreasing interval	---	---
Grease amount	---	---

Load	Power factor	Efficiency (%)
100%	0.71	90.2
75%	0.63	89.5
50%	0.51	87.5

Notes:
Downloaded from <http://dealerselectric.com>
Generated for Model #00312EG3EL213T-W22

Performed by

Checked



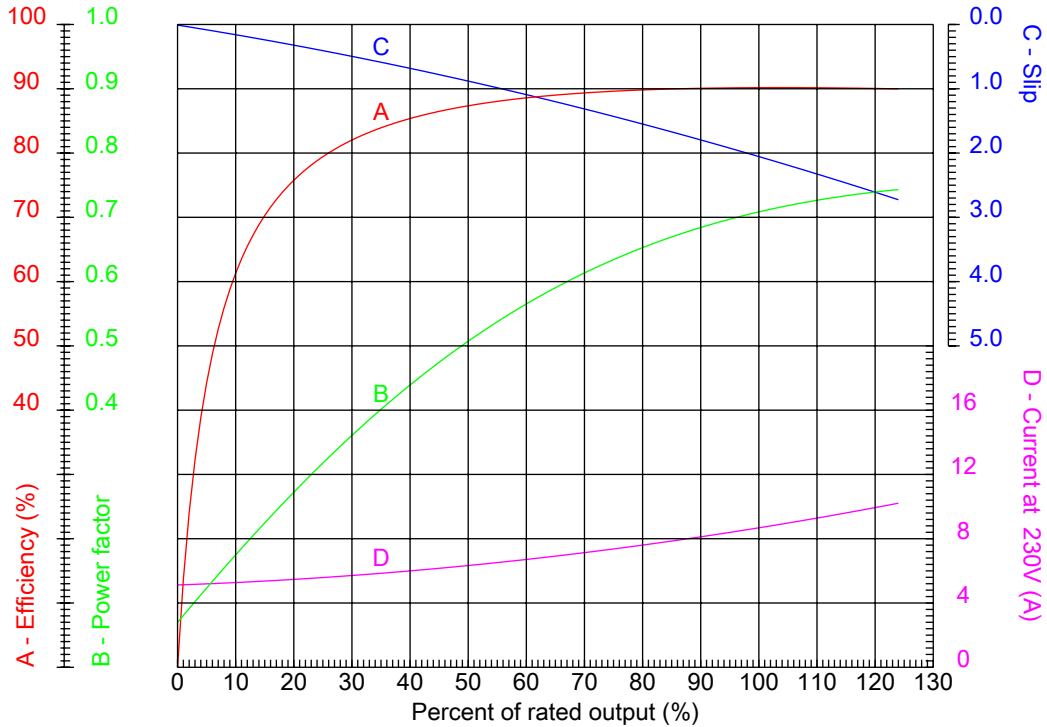
Dealers Industrial Equipment

No.:

Date: 12-SEP-2016

PERFORMANCE CURVES RELATED TO RATED OUTPUT

Three-phase induction motor - Squirrel cage rotor



Customer :
 Product line : W22 Super Premium

Frame : L213T	Locked rotor current (I _l /I _n) : 7.2
Output : 3 HP	Duty cycle : S1
Frequency : 60 Hz	Service factor : 1.25 (1.00 at 208V)
Full load speed : 1175 rpm	Design : A
Voltage : 208-230/460 V	Locked rotor torque : 180 %
Rated current : 8.62/4.31 A	Breakdown torque : 290 %
Insulation class : F	

Notes:
 Downloaded from <http://dealerselectric.com>
 Generated for Model #00312EG3EL213T-W22

Performed by

Checked



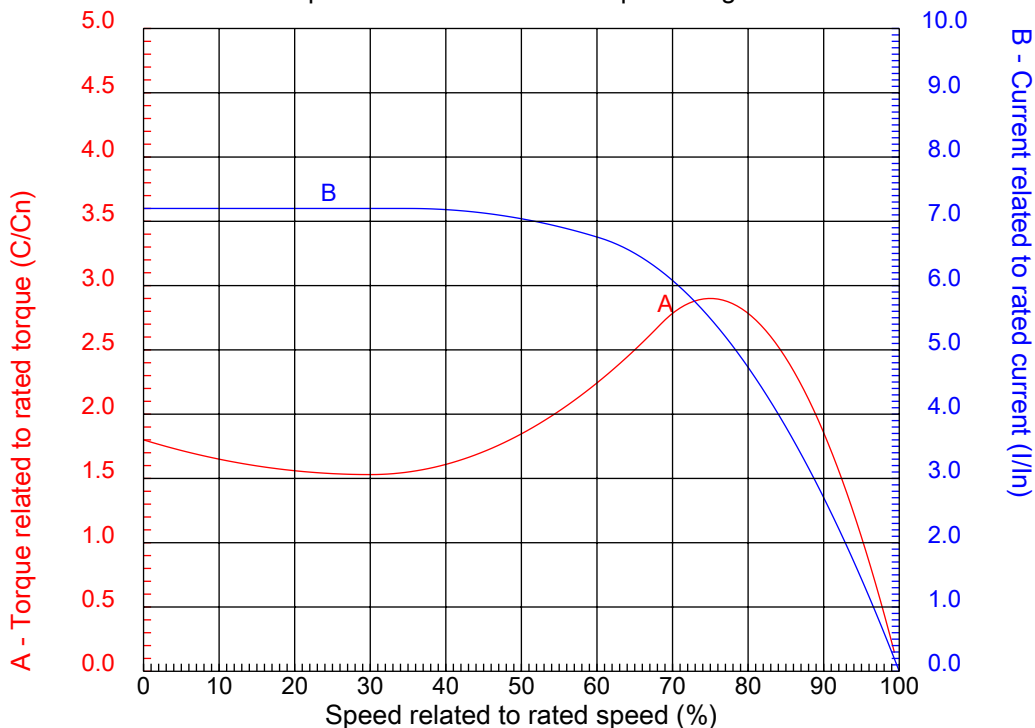
Dealers Industrial Equipment

No.:

Date: 12-SEP-2016

CHARACTERISTIC CURVES RELATED TO SPEED

Three-phase induction motor - Squirrel cage rotor



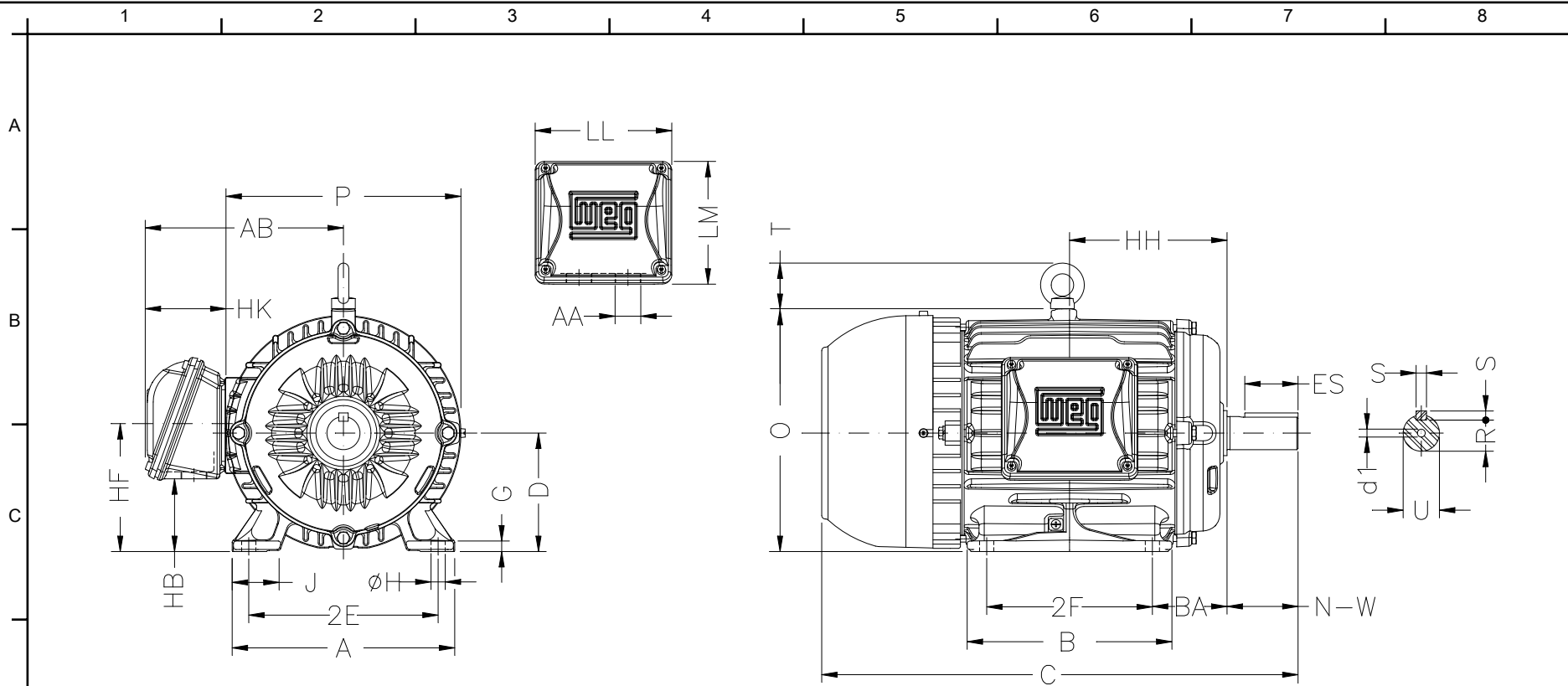
Customer :
Product line : W22 Super Premium

Frame	: L213T	Locked rotor current (I _l /I _n)	: 7.2
Output	: 3 HP	Duty cycle	: S1
Frequency	: 60 Hz	Service factor	: 1.25 (1.00 at 208V)
Full load speed	: 1175 rpm	Design	: A
Voltage	: 208-230/460 V	Locked rotor torque	: 180 %
Rated current	: 8.62/4.31 A	Breakdown torque	: 290 %
Insulation class	: F		

Notes:
Downloaded from <http://dealerselectric.com>
Generated for Model #00312EG3EL213T-W22

Performed by

Checked



Notes: Downloaded from <http://dealerselectric.com>
Generated for Model #00312EG3EL213T-W22

Performed by:

Checked:

Customer:

W22 Super Premium

Three-phase induction motor
Frame L213T - IP55

12-SEP-2016



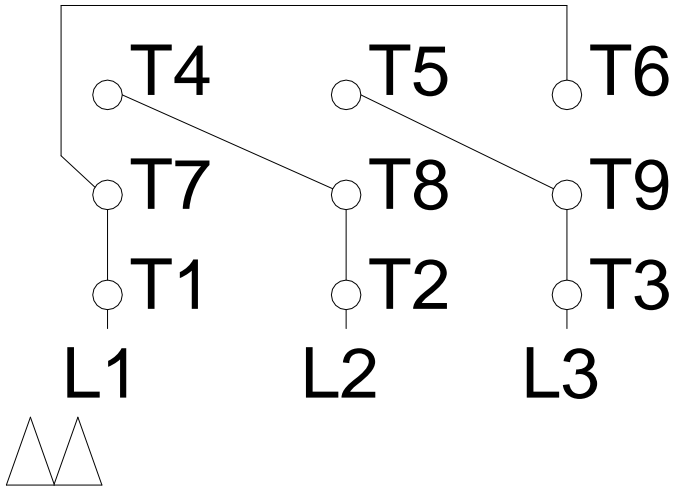
	2E 8.500	J 1.772	A 9.764	P 10.669	AB 8.583
	2F 5.500	K 2.165	B 7.362	BA 3.500	FBA 5.921
	U 1.375	N-W 3.375	ES 2.480	S 0.313	R 1.203
F	depth 0.313	D 5.250	G 0.669	HB 2.985	O 10.841
	T 1.772	HF 5.250	HH 6.250	HK 3.150	H 0.410
	C 19.083	LL 5.512	LM 5.236	AA NPT 1"	d1 A 4

1 2 3 4 5 6 7 8

LOW VOLTAGE

HIGH VOLTAGE

A
B
C
D
E
F



Notes: Downloaded from <http://dealerselectric.com>
 Generated for Model #00312EG3EL213T-W22

Performed by:

Checked:

Customer:

W22 Super Premium

Three-phase induction motor
 Frame L213T - IP55

12-SEP-2016

