



# Dealers Industrial Equipment

No.:

Date: 12-SEP-2016

Customer :

## TECHNICAL PROPOSAL

### Three-phase induction motor - Squirrel cage rotor

Product line : W22 NEMA Premium - Ball Bearings

Catalog Number : 00309ET3E215T-W22

List Price : \$2,115

#### Notes:

Downloaded from <http://dealerselectric.com>

Generated for Model #00309ET3E215T-W22

Performed by:

Checked:



# Dealers Industrial Equipment

No.:

Date: 12-SEP-2016

## DATA SHEET Three-phase induction motor - Squirrel cage rotor

Customer :  
 Product line : W22 NEMA Premium - Ball Bearings

Frame : 213/5T  
 Output : 3 HP  
 Frequency : 60 Hz  
 Poles : 8  
 Full load speed : 865 rpm  
 Slip : 3.89 %  
 Voltage : 208-230/460 V  
 Rated current : 10.1-9.12/4.56 A  
 Locked rotor current : 62.0/31.0 A  
 Locked rotor current (I<sub>L</sub>/I<sub>n</sub>) : 6.8  
 No-load current : 5.43/2.71 A  
 Full load torque : 18.0 lb.ft  
 Locked rotor torque : 230 %  
 Breakdown torque : 280 %  
 Design : B  
 Insulation class : F  
 Temperature rise : 80 K  
 Locked rotor time : 44 s (hot)  
 Service factor : 1.25  
 Duty cycle : S1  
 Ambient temperature : -20°C - +40°C  
 Altitude : 1000 m  
 Degree of Protection : IP55  
 Approximate weight : 176 lb  
 Moment of inertia : 2.1065 sq.ft.lb  
 Noise level : 52 dB(A)

|                     | D.E.    | N.D.E.  |
|---------------------|---------|---------|
| Bearings            | 6308 ZZ | 6207 ZZ |
| Regreasing interval | ---     | ---     |
| Grease amount       | ---     | ---     |

| Load | Power factor | Efficiency (%) |
|------|--------------|----------------|
| 100% | 0.71         | 85.5           |
| 75%  | 0.63         | 85.5           |
| 50%  | 0.50         | 84.0           |

Notes:  
 Downloaded from <http://dealerselectric.com>  
 Generated for Model #00309ET3E215T-W22

Performed by

Checked



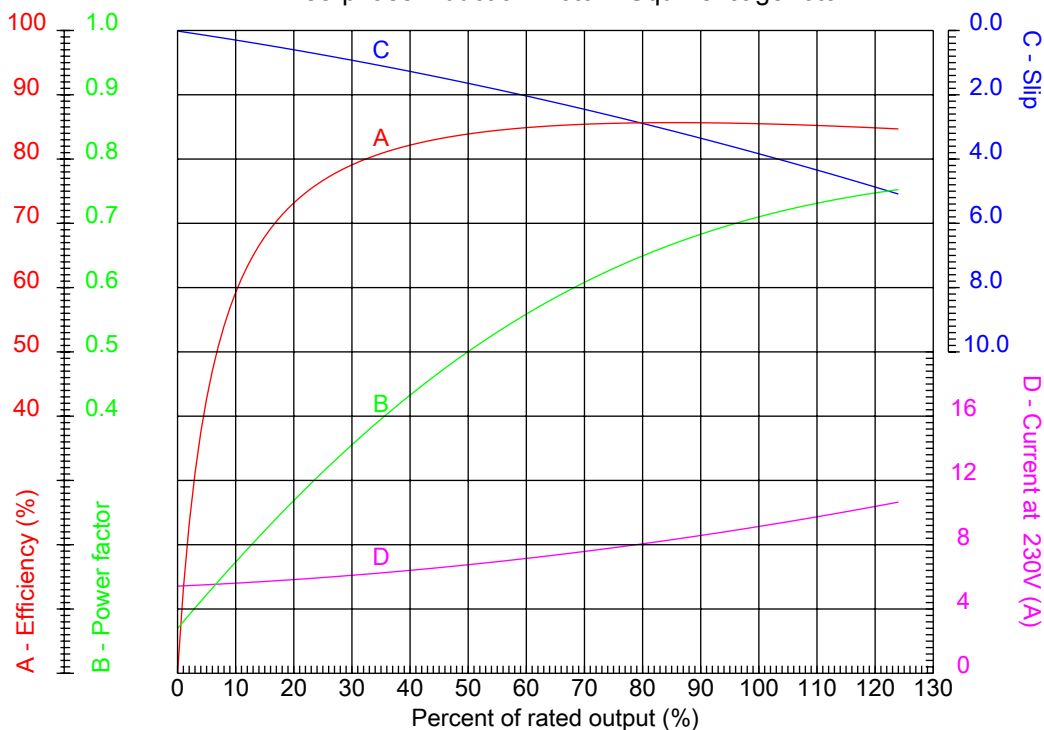
# Dealers Industrial Equipment

No.:

Date: 12-SEP-2016

## PERFORMANCE CURVES RELATED TO RATED OUTPUT

Three-phase induction motor - Squirrel cage rotor



Customer :  
 Product line : W22 NEMA Premium - Ball Bearings

|                                  |  |
|----------------------------------|--|
| Frame : 213/5T                   | Locked rotor current (I <sub>l</sub> /I <sub>n</sub> ) : 6.8 |
| Output : 3 HP                    | Duty cycle : S1  |
| Frequency : 60 Hz                | Service factor : 1.25  |
| Full load speed : 865 rpm        | Design : B   |
| Voltage : 208-230/460 V          | Locked rotor torque : 230 %                                  |
| Rated current : 10.1-9.12/4.56 A | Breakdown torque : 280 %                                     |
| Insulation class : F             |  |

Notes:  
 Downloaded from <http://dealerselectric.com>  
 Generated for Model #00309ET3E215T-W22

Performed by

Checked



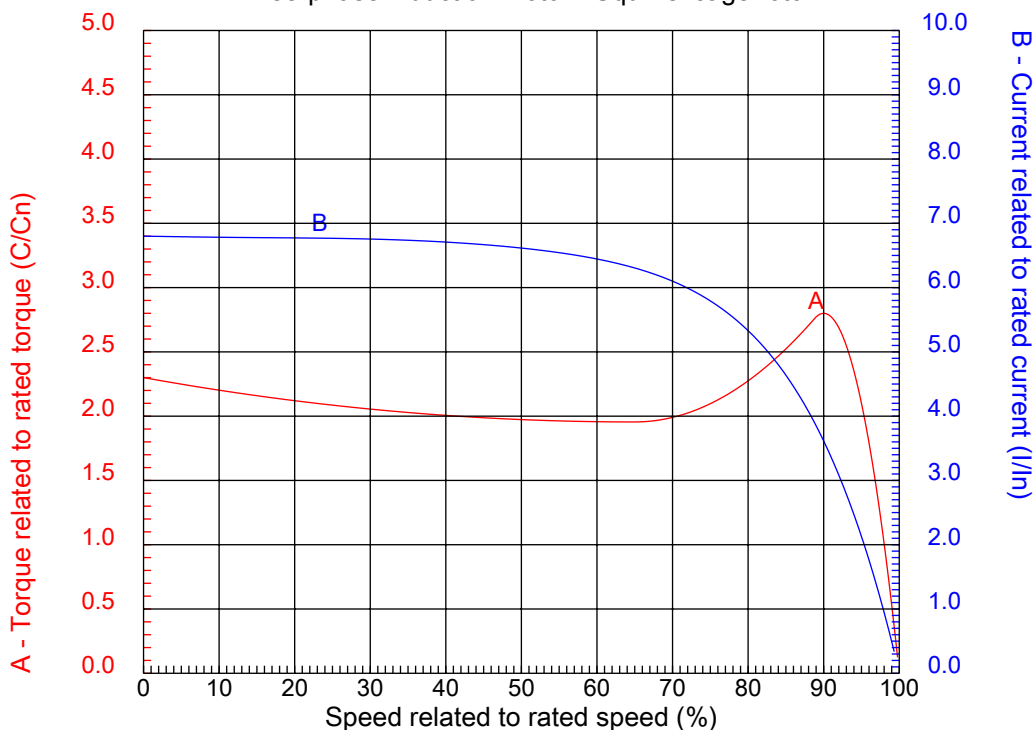
# Dealers Industrial Equipment

No.:

Date: 12-SEP-2016

## CHARACTERISTIC CURVES RELATED TO SPEED

Three-phase induction motor - Squirrel cage rotor



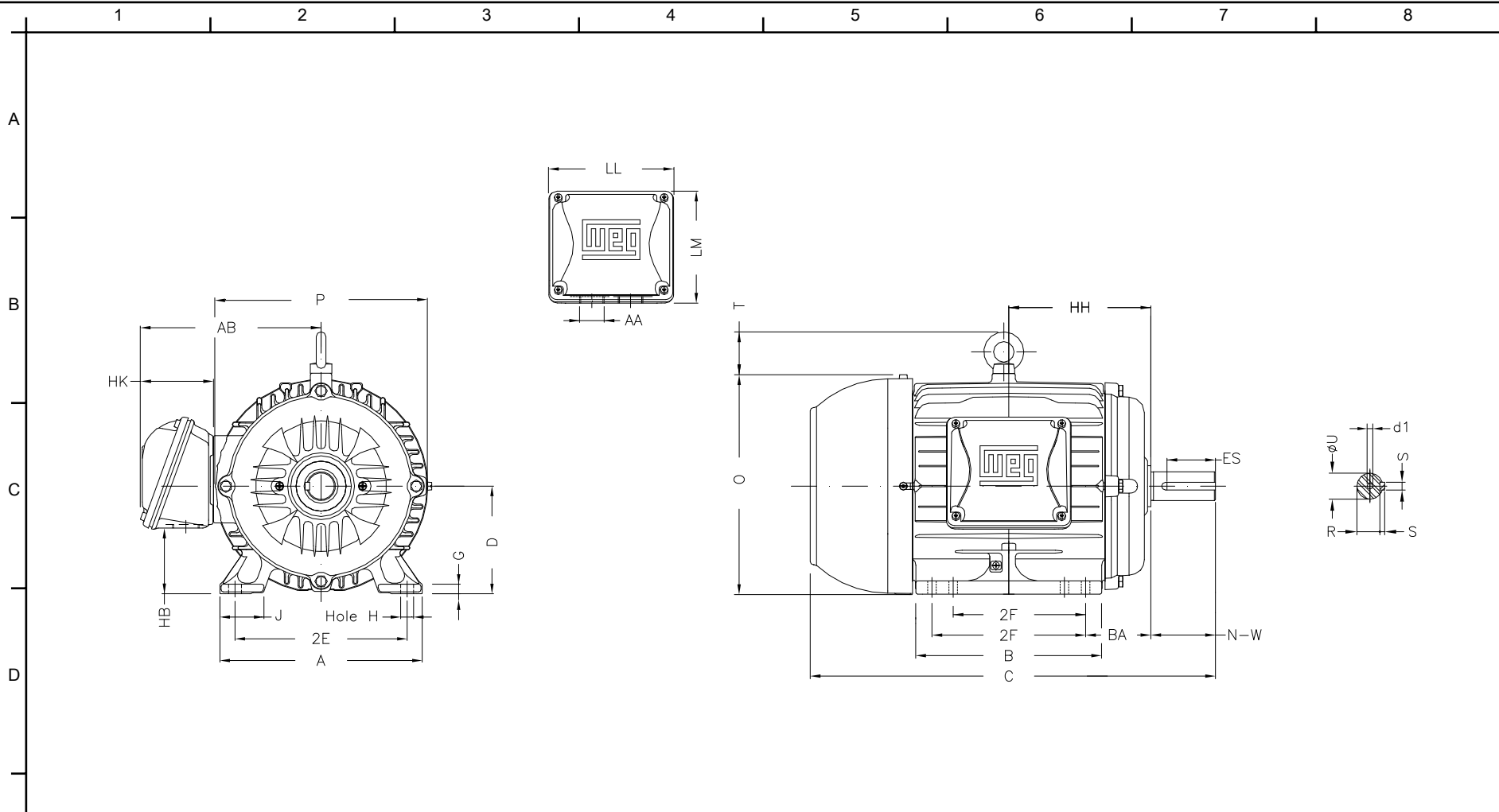
Customer :  
Product line : W22 NEMA Premium - Ball Bearings

|                  |                    |  |         |
|------------------|--------------------|--|---------|
| Frame            | : 213/5T           | Locked rotor current (I <sub>l</sub> /I <sub>n</sub> ) | : 6.8   |
| Output           | : 3 HP             | Duty cycle   | : S1    |
| Frequency        | : 60 Hz            | Service factor   | : 1.25  |
| Full load speed  | : 865 rpm          | Design   | : B     |
| Voltage          | : 208-230/460 V    | Locked rotor torque                                    | : 230 % |
| Rated current    | : 10.1-9.12/4.56 A | Breakdown torque                                       | : 280 % |
| Insulation class | : F                |  |         |

Notes:  
Downloaded from <http://dealerselectric.com>  
Generated for Model #00309ET3E215T-W22


Performed by

Checked



Notes: Downloaded from <http://dealerselectric.com>  
 Generated for Model #00309ET3E215T-W22

|             |        |        |        |        |
|-------------|--------|--------|--------|--------|
| 2E          | J      | A      | P      | AB     |
| 8.500       | 1.772  | 9.764  | 10.669 | 8.583  |
| 2F          | K      | B      | BA     | FBA    |
| 5.500/7.000 | 2.165  | 8.858  | 3.500  | 5.921  |
| U           | N-W    | ES     | S      | R      |
| 1.375       | 3.375  | 2.480  | 0.313  | 1.203  |
| depth       | D      | G      | HB     | O      |
| 0.313       | 5.250  | 0.669  | 2.985  | 10.841 |
| T           | HF     | HH     | HK     | EV     |
| 1.772       | 5.250  | 7.000  | 3.150  | 0.929  |
| H           | C      | FC     | LL     | LM     |
| 0.410       | 19.517 | 22.546 | 5.512  | 5.236  |
| AA          | d1     |        |        |        |
| NPT 1"      | A 4    |        |        |        |

Performed by:  
 Checked:  
 Customer:  
 W22 NEMA Premium - Ball Bearings  
 Three-phase induction motor  
 Frame 213/5T - IP55  
 12-SEP-2016  


1 2 3 4 5 6 7 8

# LOW VOLTAGE

# HIGH VOLTAGE

A  
B  
C  
D  
E  
F



Notes: Downloaded from <http://dealerselectric.com>  
 Generated for Model #00309ET3E215T-W22

Performed by:

Checked:

Customer:

W22 NEMA Premium - Ball Bearings

Three-phase induction motor  
 Frame 213/5T - IP55

12-SEP-2016

