



Dealers Industrial Equipment

No.:

Date: 12-SEP-2016

Customer :

TECHNICAL PROPOSAL

Three-phase induction motor - Squirrel cage rotor

Product line : Three-Phase : IEC Tru-Metric - TEFC (IP55) - Aluminum Frame

Catalog Number : 00309EP3YAL132M

List Price : \$1,400

Notes:

Downloaded from <http://dealerselectric.com>

Generated for Model #00309EP3YAL132M

Performed by:

Checked:



Dealers Industrial Equipment

No.:

Date: 12-SEP-2016

### DATA SHEET

### Three-phase induction motor - Squirrel cage rotor

Customer :  
 Product line : Three-Phase : IEC Tru-Metric - TEFC (IP55) - Aluminum Frame

Frame : 132M  
 Output : 4 HP  
 Frequency : 60 Hz  
 Poles : 8  
 Full load speed : 870 rpm  
 Slip : 3.33 %  
 Voltage : 460 V  
 Rated current : 6.40 A  
 Locked rotor current : 45.4 A  
 Locked rotor current (I<sub>L</sub>/I<sub>n</sub>) : 7.1  
 No-load current : 4.00 A  
 Full load torque : 23.8 lb.ft  
 Locked rotor torque : 240 %  
 Breakdown torque : 260 %  
 Design : ---  
 Insulation class : F  
 Temperature rise : 80 K  
 Locked rotor time : 19 s (hot)  
 Service factor : 1.15  
 Duty cycle : S1  
 Ambient temperature : -20°C - +40°C  
 Altitude : 1000 m  
 Degree of Protection : IP55  
 Approximate weight : 136 lb  
 Moment of inertia : 2.0244 sq.ft.lb  
 Noise level : 52 dB(A)

	D.E.	N.D.E.
Bearings	6308 ZZ	6207 ZZ
Regreasing interval	---	---
Grease amount	---	---

Load	Power factor	Efficiency (%)
100%	0.70	84.0
75%	0.61	84.0
50%	0.49	82.5

Notes:  
 Downloaded from <http://dealerselectric.com>  
 Generated for Model #00309EP3YAL132M

Performed by

Checked



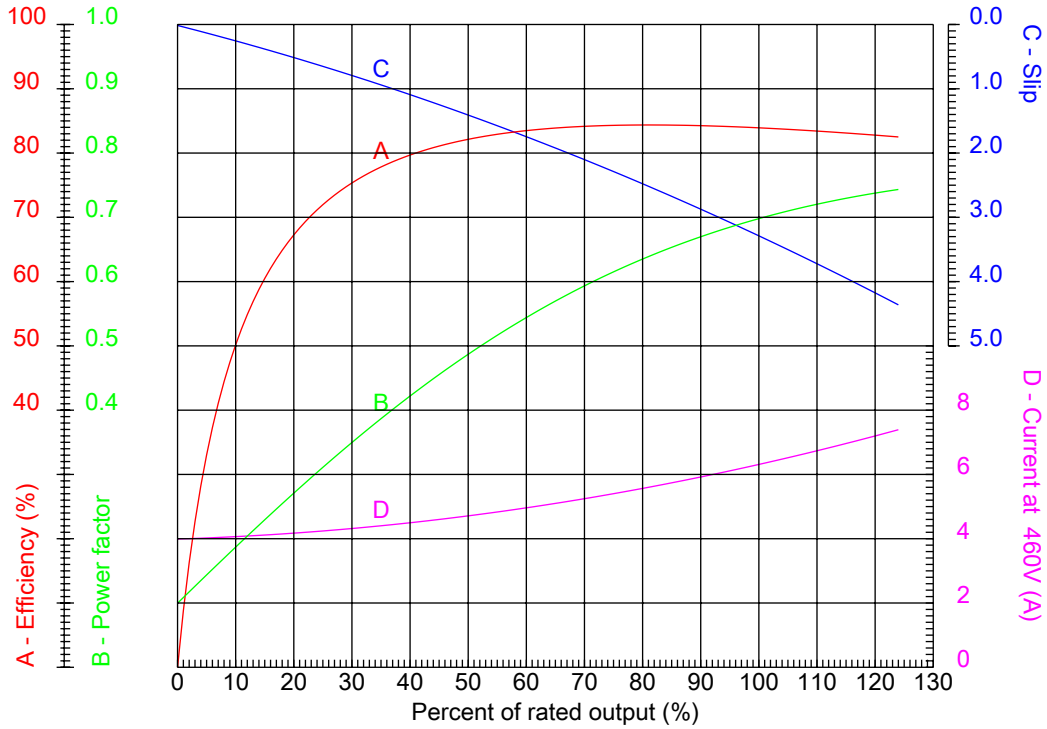
# Dealers Industrial Equipment

No.:

Date: 12-SEP-2016

## PERFORMANCE CURVES RELATED TO RATED OUTPUT

Three-phase induction motor - Squirrel cage rotor



Customer :  
 Product line : Three-Phase : IEC Tru-Metric - TEFC (IP55) - Aluminum Frame

Frame : 132M	Locked rotor current (I <sub>L</sub> /I <sub>n</sub> ) : 7.1
Output : 4 HP	Duty cycle : S1
Frequency : 60 Hz	Service factor : 1.15
Full load speed : 870 rpm	Design : ---
Voltage : 460 V	Locked rotor torque : 240 %
Rated current : 6.40 A	Breakdown torque : 260 %
Insulation class : F	

Notes:  
 Downloaded from <http://dealerselectric.com>  
 Generated for Model #00309EP3YAL132M

Performed by	Checked
--------------	---------



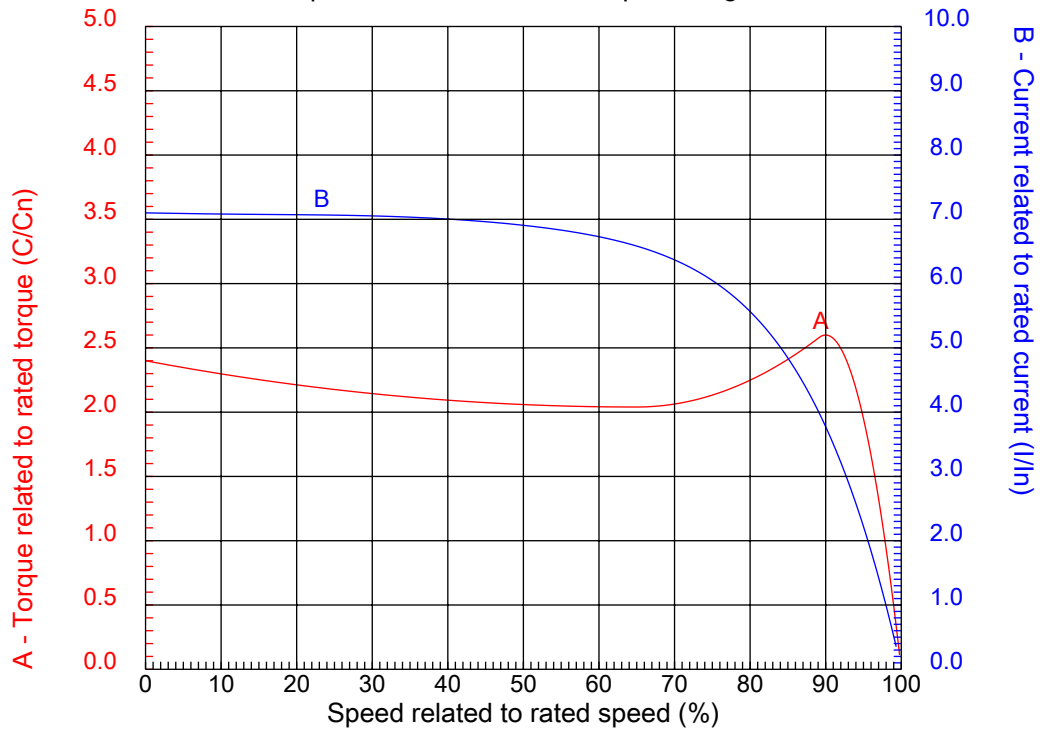
# Dealers Industrial Equipment

No.:

Date: 12-SEP-2016

## CHARACTERISTIC CURVES RELATED TO SPEED

Three-phase induction motor - Squirrel cage rotor



Customer :  
Product line : Three-Phase : IEC Tru-Metric - TEFC (IP55) - Aluminum Frame

Frame	: 132M	Locked rotor current (I <sub>l</sub> /I <sub>n</sub> )	: 7.1
Output	: 4 HP	Duty cycle	: S1
Frequency	: 60 Hz	Service factor	: 1.15
Full load speed	: 870 rpm	Design	: ---
Voltage	: 460 V	Locked rotor torque	: 240 %
Rated current	: 6.40 A	Breakdown torque	: 260 %
Insulation class	: F		

Notes:  
Downloaded from <http://dealerselectric.com>  
Generated for Model #00309EP3YAL132M

Performed by

Checked

1 2 3 4 5 6 7 8

A

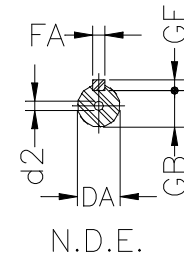
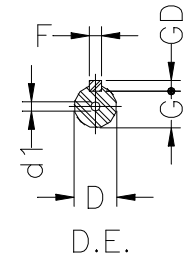
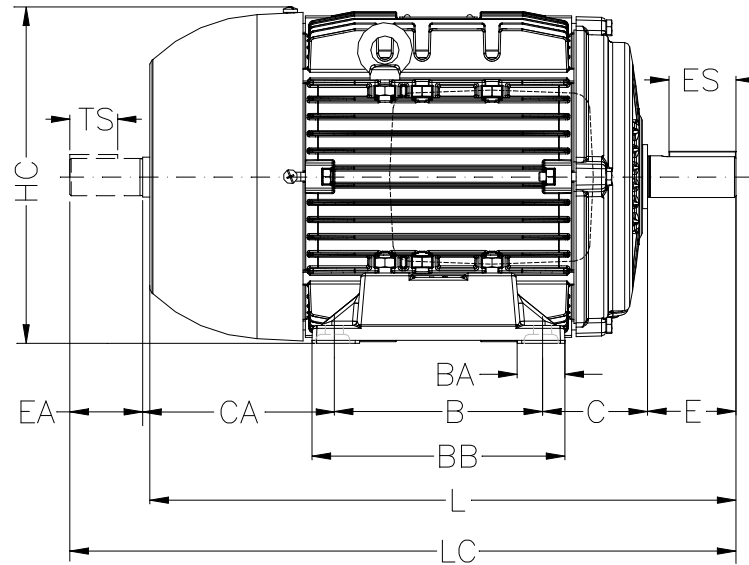
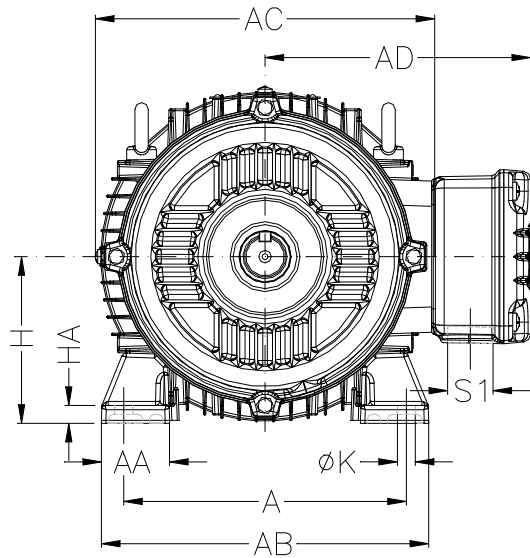
B

C

D

E

F



Notes: Downloaded from <http://dealerselectric.com>  
Generated for Model #00309EP3YAL132M

A	AA	AB	AC	AD
216	44	248	270	205
B	BA	BB	C	CA
178	37	210	89	150
D	E	ES	F	G
38j6	80	63	10	33
GD	DA	EA	TS	FA
8	28j6	60	45	8
GB	GF	H	HA	HC
24	7	132	12	274
HD	K	L	LC	S1
360	12	490	557	NPT 1"
d1	d2			
DM12	DM10			

Performed by:

Checked:

Customer:

Three-Phase : IEC Tru-Metric - TEFC (IP55) - Aluminum Frame

Three-phase induction motor  
Frame 132M - IP55

12-SEP-2016



1 2 3 4 5 6 7 8

# LOW VOLTAGE

# HIGH VOLTAGE

A  
B  
C  
D  
E  
F



Notes: Downloaded from <a href="http://dealerselectric.com">http://dealerselectric.com</a> Generated for Model #00309EP3YAL132M		
Performed by:		
Checked:		
Customer:		
Three-Phase : IEC Tru-Metric - TEFC (IP55) - Aluminum Frame		
Three-phase induction motor Frame 132M - IP55	12-SEP-2016	