



Dealers Industrial Equipment

No.:

Date: 12-SEP-2016

Customer :

TECHNICAL PROPOSAL

Three-phase induction motor - Squirrel cage rotor

Product line : Brake Motors : Three-Phase - High Efficiency
Catalog Number : 00309EP3EBM215T
List Price : \$>(discontinued)

Notes:
Downloaded from <http://dealerselectric.com>
Generated for Model #00309EP3EBM215T

Performed by:

Checked:



Dealers Industrial Equipment

No.:

Date: 12-SEP-2016

DATA SHEET Three-phase induction motor - Squirrel cage rotor

Customer :
 Product line : Brake Motors : Three-Phase - High Efficiency

Frame : 215T
 Output : 3 HP
 Frequency : 60 Hz
 Poles : 8
 Full load speed : 865 rpm
 Slip : 3.89 %
 Voltage : 230/460 V
 Rated current : 8.66/4.33 A
 Locked rotor current : 61.5/30.7 A
 Locked rotor current (I_L/I_n) : 7.1
 No-load current : 4.60/2.30 A
 Full load torque : 18.0 lb.ft
 Locked rotor torque : 200 %
 Breakdown torque : 210 %
 Design : B
 Insulation class : F
 Temperature rise : 80 K
 Locked rotor time : 30 s (hot)
 Service factor : 1.25
 Duty cycle : S1
 Ambient temperature : -20°C - +40°C
 Altitude : 1000 m
 Degree of Protection : IP55
 Approximate weight : 176 lb
 Moment of inertia : 2.0244 sq.ft.lb
 Noise level : 52 dB(A)

	D.E.	N.D.E.	Load	Power factor	Efficiency (%)
Bearings	6308 ZZ	6207 ZZ	100%	0.76	84.0
Regreasing interval	---	---	75%	0.70	84.0
Grease amount	---	---	50%	0.59	82.5

Notes:
 Downloaded from <http://dealerselectric.com>
 Generated for Model #00309EP3EBM215T

Performed by

Checked



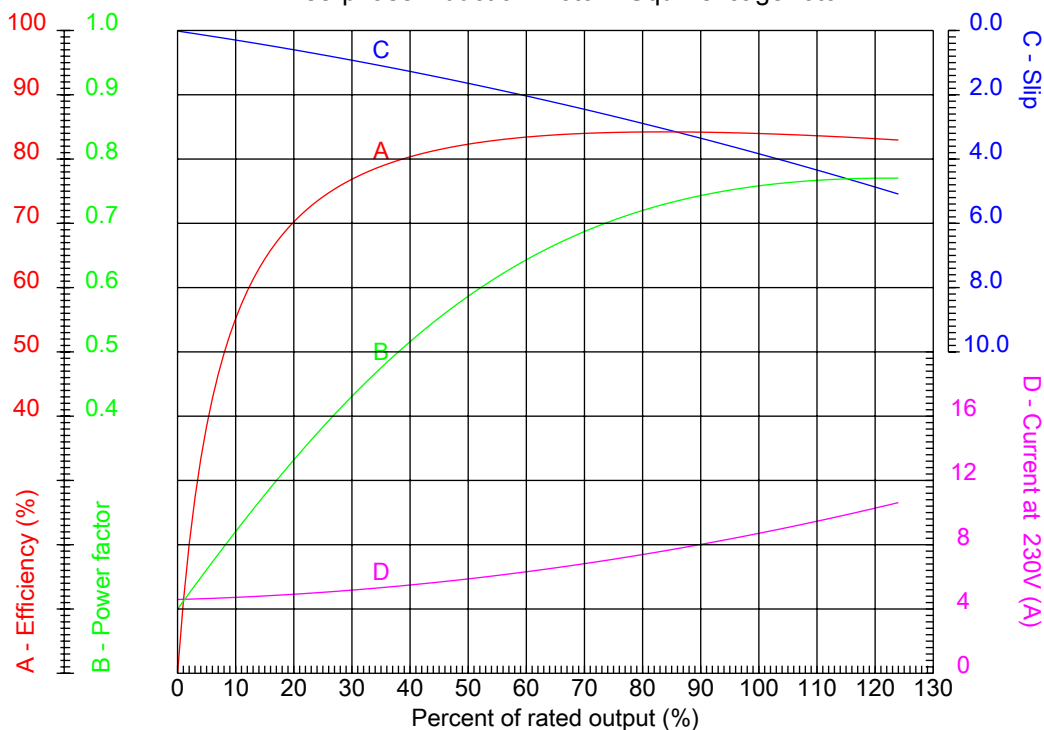
Dealers Industrial Equipment

No.:

Date: 12-SEP-2016

PERFORMANCE CURVES RELATED TO RATED OUTPUT

Three-phase induction motor - Squirrel cage rotor



Customer :
 Product line : Brake Motors : Three-Phase - High Efficiency

Frame	: 215T	Locked rotor current (I _l /I _n)	: 7.1
Output	: 3 HP	Duty cycle	: S1
Frequency	: 60 Hz	Service factor	: 1.25
Full load speed	: 865 rpm	Design	: B
Voltage	: 230/460 V	Locked rotor torque	: 200 %
Rated current	: 8.66/4.33 A	Breakdown torque	: 210 %
Insulation class	: F		

Notes:
 Downloaded from <http://dealerselectric.com>
 Generated for Model #00309EP3EBM215T

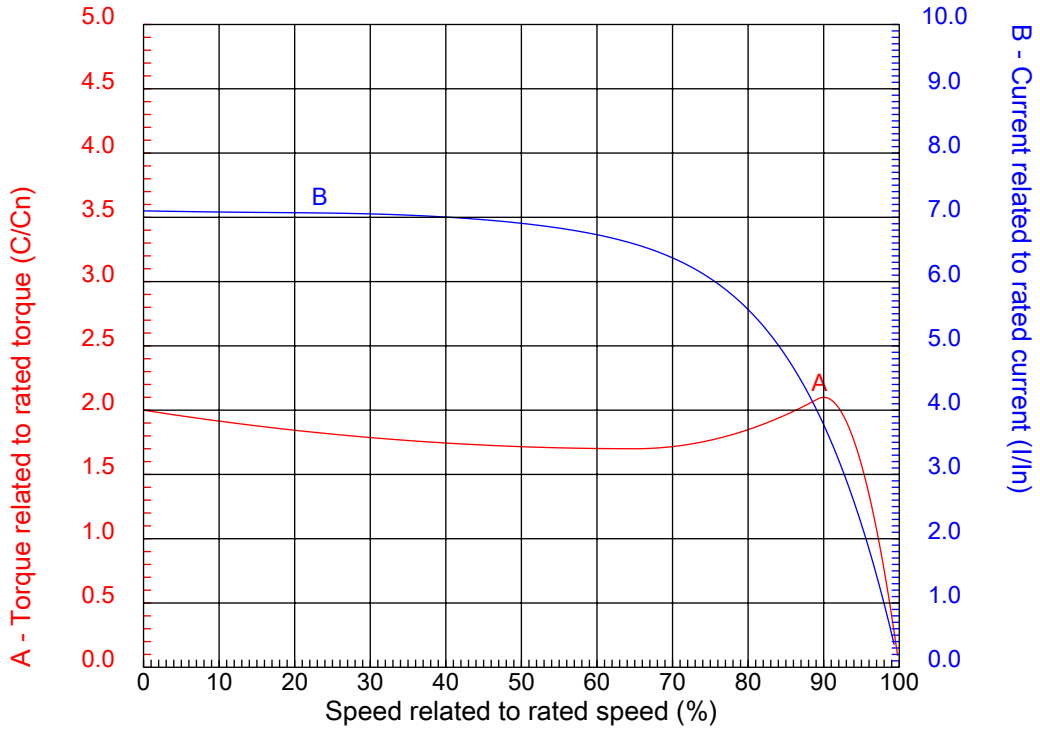
Performed by

Checked



CHARACTERISTIC CURVES RELATED TO SPEED

Three-phase induction motor - Squirrel cage rotor



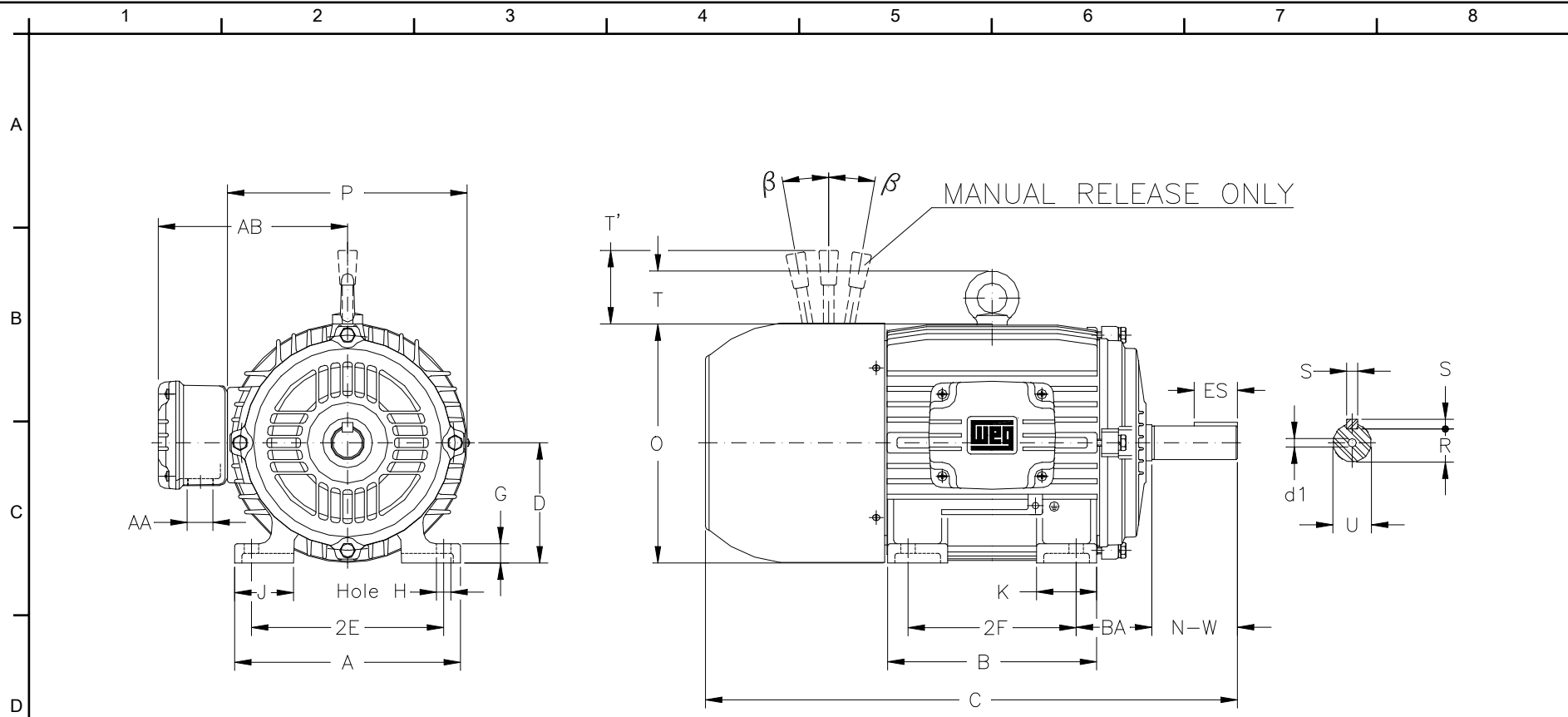
Customer :
 Product line : Brake Motors : Three-Phase - High Efficiency

Frame	: 215T	Locked rotor current (I _l /I _n)	: 7.1
Output	: 3 HP	Duty cycle	: S1
Frequency	: 60 Hz	Service factor	: 1.25
Full load speed	: 865 rpm	Design	: B
Voltage	: 230/460 V	Locked rotor torque	: 200 %
Rated current	: 8.66/4.33 A	Breakdown torque	: 210 %
Insulation class	: F		

Notes:
 Downloaded from <http://dealerselectric.com>
 Generated for Model #00309EP3EBM215T

Performed by

Checked



Notes: Downloaded from <http://dealerselectric.com>
 Generated for Model #00309EP3EBM215T

Performed by:

Checked:

Customer:

Brake Motors : Three-Phase - High Efficiency

Three-phase induction motor
 Frame 215T - IP55

12-SEP-2016



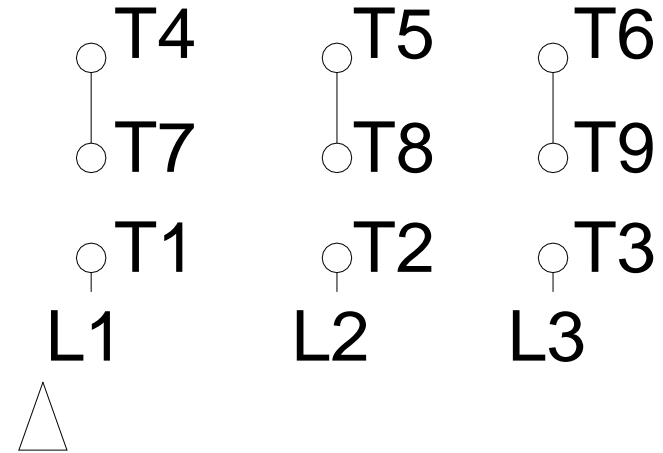
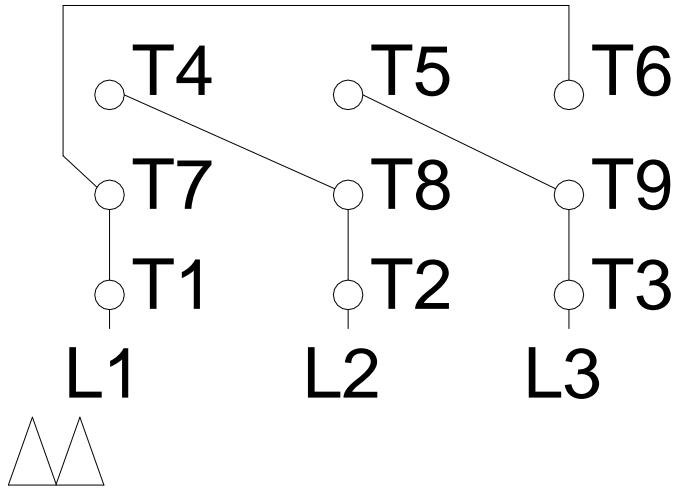
2E 8.500	A 9.764	2F 7.000	B 8.858	BA 3.500
J 2.008	K 2.165	P 10.630	ES 2.480	depth 0.313
S 0.313	N-W 3.375	U 1.375	R 1.203	AB 8.149
D 5.250	G 0.827	O 10.841	T 1.772	H 0.406
C 23.984	AA NPT 1"	d1 A 4	d2 A 4	

1 2 3 4 5 6 7 8

LOW VOLTAGE

HIGH VOLTAGE

A
B
C
D
E
F



Notes: Downloaded from http://dealerselectric.com Generated for Model #00309EP3EBM215T		
Performed by:		
Checked:		
Customer:		
Brake Motors : Three-Phase - High Efficiency		
Three-phase induction motor Frame 215T - IP55	12-SEP-2016	