



Dealers Industrial Equipment

No.:

Date: 12-SEP-2016

Customer :

TECHNICAL PROPOSAL

Three-phase induction motor - Squirrel cage rotor

Product line : Three-Phase : Explosion Proof - NEMA Premium

Catalog Number : 00236XT3E145T

List Price : \$935

Notes:

Downloaded from <http://dealerselectric.com>

Generated for Model #00236XT3E145T

Performed by:

Checked:



Dealers Industrial Equipment

No.:

Date: 12-SEP-2016

### DATA SHEET Three-phase induction motor - Squirrel cage rotor

Customer :  
Product line : Three-Phase : Explosion Proof - NEMA Premium

Frame : 145T  
Output : 2 HP  
Frequency : 60 Hz  
Poles : 2  
Full load speed : 3495 rpm  
Slip : 2.92 %  
Voltage : 208-230/460 V  
Rated current : 5.95-5.38/2.69 A  
Locked rotor current : 50.6/25.3 A  
Locked rotor current (I<sub>L</sub>/I<sub>n</sub>) : 9.4  
No-load current : 2.60/1.30 A  
Full load torque : 2.96 lb.ft  
Locked rotor torque : 350 %  
Breakdown torque : 400 %  
Design : B  
Insulation class : F  
Temperature rise : 80 K  
Locked rotor time : 15 s (hot)  
Service factor : 1.15  
Duty cycle : S1  
Ambient temperature : -20°C - +40°C  
Altitude : 1000 m  
Degree of Protection : IP55  
Approximate weight : 66 lb  
Moment of inertia : 0.05505 sq.ft.lb  
Noise level : 68 dB(A)

	D.E.	N.D.E.
Bearings	6205 2RS	6204 2RS
Regreasing interval	---	---
Grease amount	---	---

Load	Power factor	Efficiency (%)
100%	0.82	85.5
75%	0.76	84.0
50%	0.64	80.0

Notes:  
Downloaded from <http://dealerselectric.com>  
Generated for Model #00236XT3E145T

Performed by

Checked



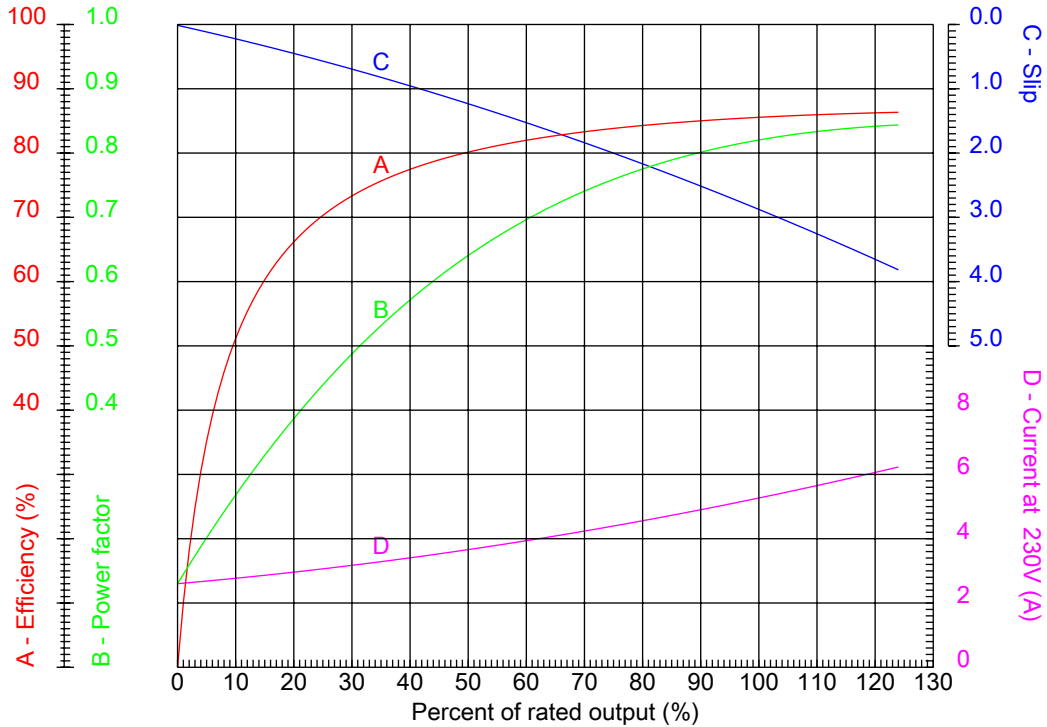
# Dealers Industrial Equipment

No.:

Date: 12-SEP-2016

## PERFORMANCE CURVES RELATED TO RATED OUTPUT

Three-phase induction motor - Squirrel cage rotor



Customer :  
 Product line : Three-Phase : Explosion Proof - NEMA Premium

Frame	: 145T	Locked rotor current (I <sub>L</sub> /I <sub>n</sub> )	: 9.4
Output	: 2 HP	Duty cycle	: S1
Frequency	: 60 Hz	Service factor	: 1.15
Full load speed	: 3495 rpm	Design	: B
Voltage	: 208-230/460 V	Locked rotor torque	: 350 %
Rated current	: 5.95-5.38/2.69 A	Breakdown torque	: 400 %
Insulation class	: F		

Notes:  
 Downloaded from <http://dealerselectric.com>  
 Generated for Model #00236XT3E145T

Performed by

Checked



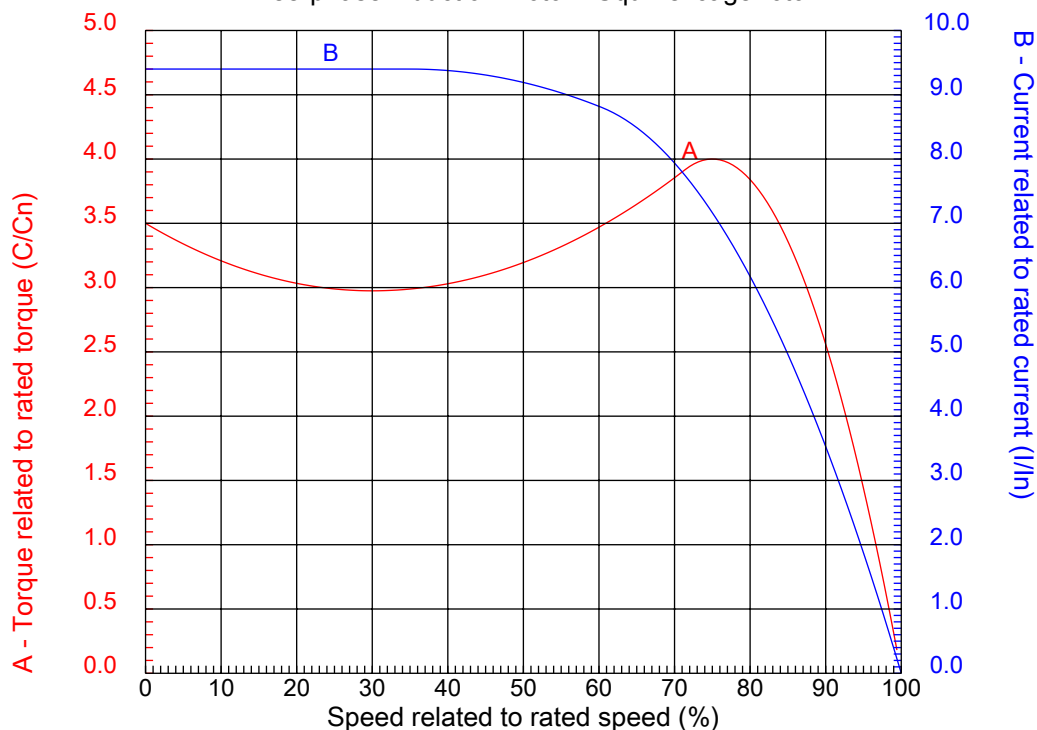
# Dealers Industrial Equipment

No.:

Date: 12-SEP-2016

## CHARACTERISTIC CURVES RELATED TO SPEED

Three-phase induction motor - Squirrel cage rotor



Customer :  
Product line : Three-Phase : Explosion Proof - NEMA Premium

Frame	: 145T	Locked rotor current (I <sub>l</sub> /I <sub>n</sub> )	: 9.4
Output	: 2 HP	Duty cycle	: S1
Frequency	: 60 Hz	Service factor	: 1.15
Full load speed	: 3495 rpm	Design	: B
Voltage	: 208-230/460 V	Locked rotor torque	: 350 %
Rated current	: 5.95-5.38/2.69 A	Breakdown torque	: 400 %
Insulation class	: F		

Notes:  
Downloaded from <http://dealerselectric.com>  
Generated for Model #00236XT3E145T

Performed by

Checked

1 2 3 4 5 6 7 8

A

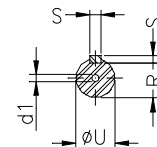
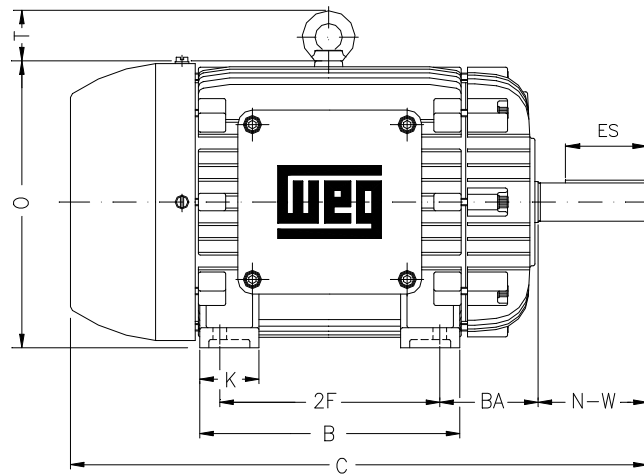
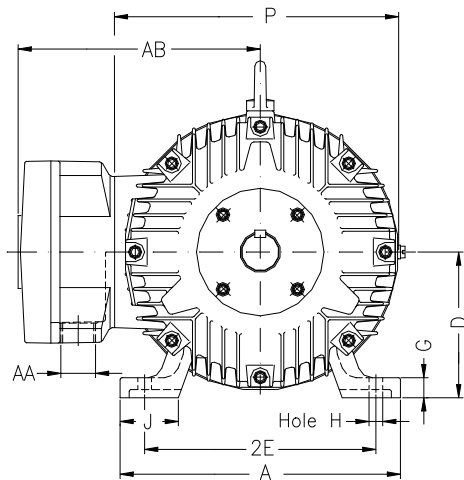
B

C

D

E

F



Notes: Downloaded from <http://dealerselectric.com>  
Generated for Model #00236XT3E145T

Performed by:

Checked:

Customer:

Three-Phase : Explosion Proof - NEMA Premium

Three-phase induction motor  
Frame 145T - IP55

12-SEP-2016



2E 5.500	A 6.457	2F 5.000	B 6.142	BA 2.250
J 1.496	K 1.654	P 7.000	ES 1.575	depth 0.187
S 0.187	N-W 2.250	U 0.875	R 0.771	AB 6.811
D 3.500	G 0.429	O 7.000	T 0.000	H 0.344
C 13.752	AA NPT 3/4"	d1 A 4	d2 A 4	

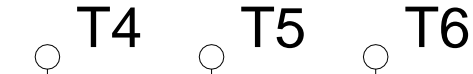
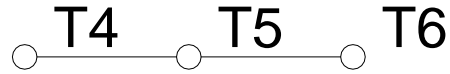
1 2 3 4 5 6 7 8

A

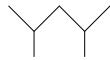
### LOW VOLTAGE

### HIGH VOLTAGE

B



C



D

E

F

Notes: Downloaded from <http://dealerselectric.com>  
 Generated for Model #00236XT3E145T

Performed by:

Checked:

Customer:

Three-Phase : Explosion Proof - NEMA Premium

Three-phase induction motor  
 Frame 145T - IP55

12-SEP-2016

