



Dealers Industrial Equipment

No.:

Date: 12-SEP-2016

Customer :

TECHNICAL PROPOSAL

Three-phase induction motor - Squirrel cage rotor

Product line : Three-Phase: Fractional Explosion Proof Motors

Catalog Number : 00236XS3E56HC

List Price : \$ Contact us for new item

Notes:

Downloaded from <http://dealerselectric.com>

Generated for Model #00236XS3E56HC

Performed by:

Checked:



Dealers Industrial Equipment

No.:

Date: 12-SEP-2016

DATA SHEET Three-phase induction motor - Squirrel cage rotor

Customer :
 Product line : Three-Phase: Fractional Explosion Proof Motors

Frame : 56H
 Output : 2 HP
 Frequency : 60 Hz
 Poles : 2
 Full load speed : 3450 rpm
 Slip : 4.17 %
 Voltage : 208-230/460 V
 Rated current : 5.97-5.40/2.70 A
 Locked rotor current : 38.3/19.2 A
 Locked rotor current (I_L/I_n) : 7.1
 No-load current : 2.20/1.10 A
 Full load torque : 3.00 lb.ft
 Locked rotor torque : 320 %
 Breakdown torque : 370 %
 Design : A
 Insulation class : F
 Temperature rise : 80 K
 Locked rotor time : 3 s (hot)
 Service factor : 1.00
 Duty cycle : S1
 Ambient temperature : -20°C - +50°C
 Altitude : 1000 m
 Degree of Protection : IP55
 Approximate weight : 32 lb
 Moment of inertia : 0.01495 sq.ft.lb
 Noise level : ---

	D.E.	N.D.E.
Bearings	6203 ZZ	6203 ZZ
Regreasing interval	---	---
Grease amount	---	---

Load	Power factor	Efficiency (%)
100%	0.84	83.0
75%	0.79	83.0
50%	0.75	76.0

Notes:
 Downloaded from <http://dealerselectric.com>
 Generated for Model #00236XS3E56HC

Performed by

Checked



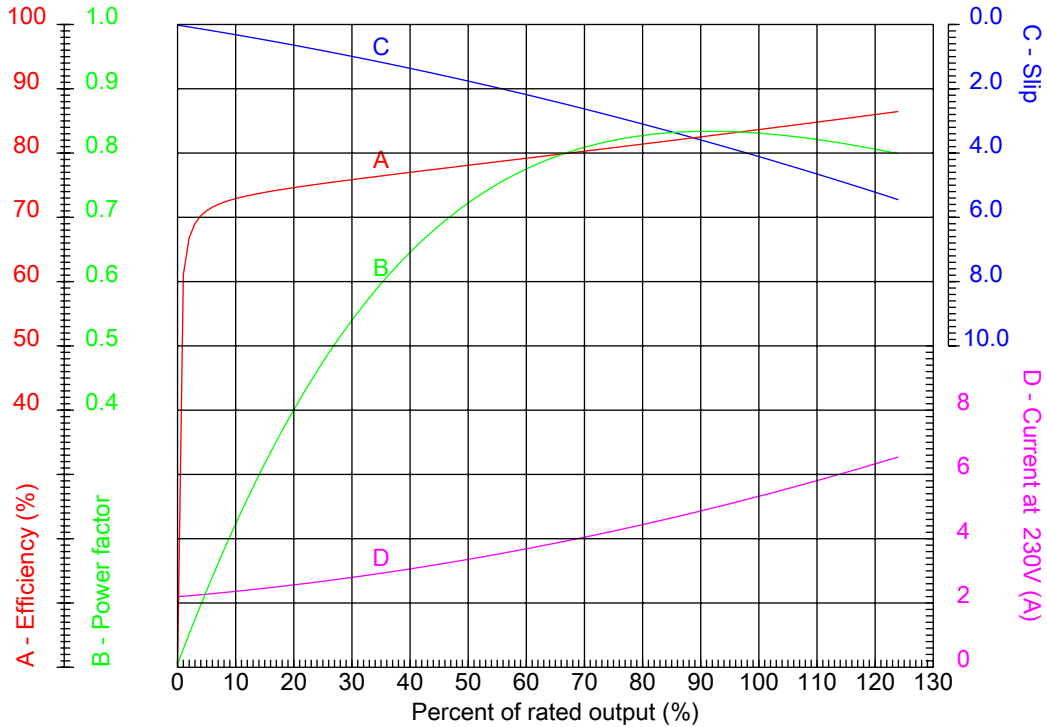
Dealers Industrial Equipment

No.:

Date: 12-SEP-2016

PERFORMANCE CURVES RELATED TO RATED OUTPUT

Three-phase induction motor - Squirrel cage rotor



Customer :
 Product line : Three-Phase: Fractional Explosion Proof Motors

Frame	: 56H	Locked rotor current (I _l /I _n)	: 7.1
Output	: 2 HP	Duty cycle	: S1
Frequency	: 60 Hz	Service factor	: 1.00
Full load speed	: 3450 rpm	Design	: A
Voltage	: 208-230/460 V	Locked rotor torque	: 320 %
Rated current	: 5.97-5.40/2.70 A	Breakdown torque	: 370 %
Insulation class	: F		

Notes:
 Downloaded from <http://dealerselectric.com>
 Generated for Model #00236XS3E56HC

Performed by

Checked



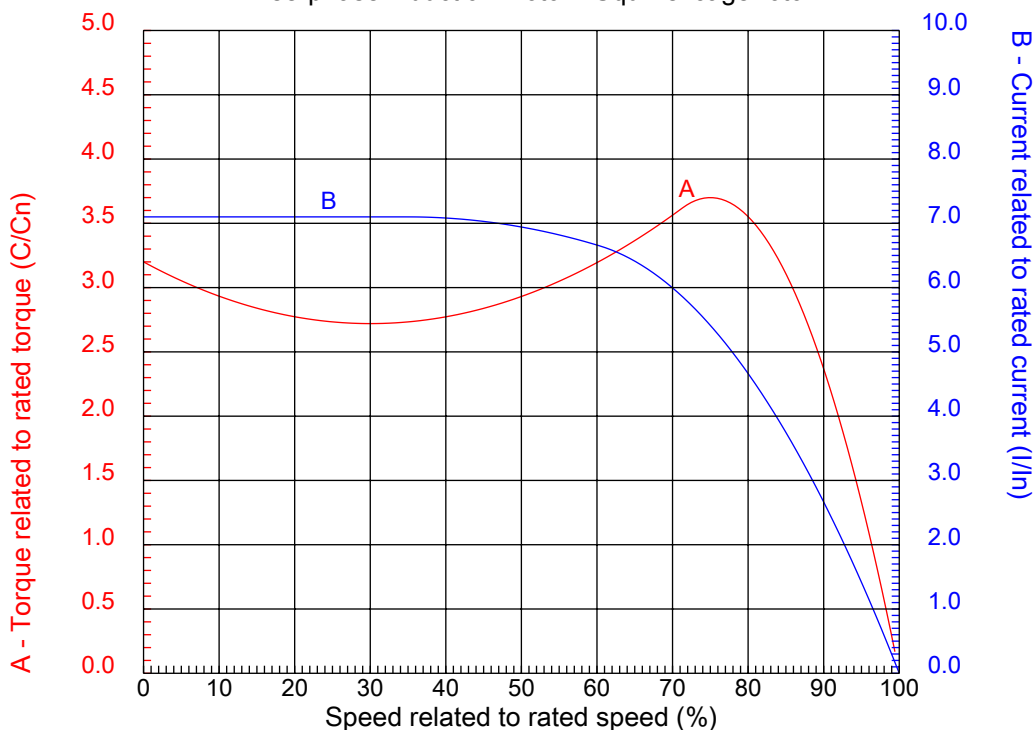
Dealers Industrial Equipment

No.:

Date: 12-SEP-2016

CHARACTERISTIC CURVES RELATED TO SPEED

Three-phase induction motor - Squirrel cage rotor



Customer :
 Product line : Three-Phase: Fractional Explosion Proof Motors

Frame	: 56H	Locked rotor current (I _l /I _n)	: 7.1
Output	: 2 HP	Duty cycle	: S1
Frequency	: 60 Hz	Service factor	: 1.00
Full load speed	: 3450 rpm	Design	: A
Voltage	: 208-230/460 V	Locked rotor torque	: 320 %
Rated current	: 5.97-5.40/2.70 A	Breakdown torque	: 370 %
Insulation class	: F		

Notes:
 Downloaded from <http://dealerselectric.com>
 Generated for Model #00236XS3E56HC

Performed by

Checked

1 2 3 4 5 6 7 8

A

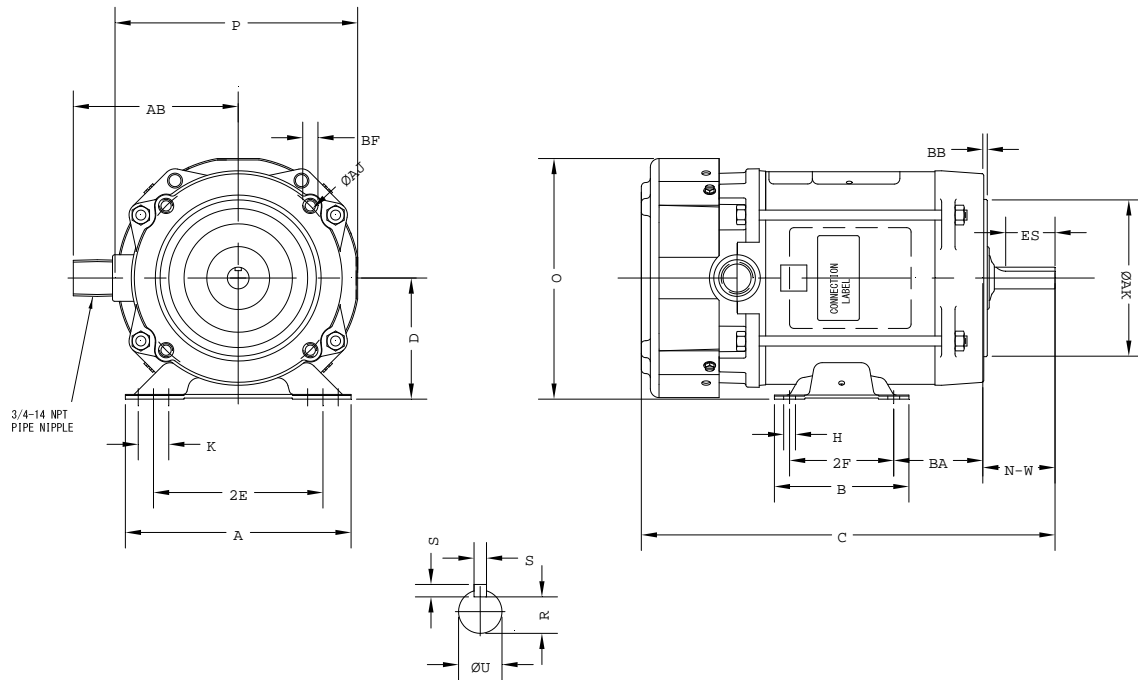
B

C

D

E

F



Notes: Downloaded from <http://dealerselectric.com>
Generated for Model #00236XS3E56HC

Performed by:

Checked:

Customer:

Three-Phase: Fractional Explosion Proof Motors

Three-phase induction motor
Frame 56H - IP55

12-SEP-2016



2E 4.880	A 6.500	P 6.980	AB 4.500	B 5.880
BA 2.750	U 0.6250	N-W 1.880	ES 1.380	S 0.190
R 0.517	D 3.500	O 6.920	H 0.340	C 14.040
d1 SEM	2F 3.000/5.000	Flange FC-149	AJ 5.880	AK 4.500
BD 6.000	BF UNC 3/8"x16-2B	BB 0.160		