



Dealers Industrial Equipment

No.:

Date: 12-SEP-2016

Customer :

TECHNICAL PROPOSAL

## Three-phase induction motor - Squirrel cage rotor

Product line : Three-Phase: Fractional Explosion Proof Motors

Catalog Number : 00236XS3E56H

List Price : \$ Contact us for new item

Notes:

Downloaded from <http://dealerselectric.com>

Generated for Model #00236XS3E56H

Performed by:

Checked:



# Dealers Industrial Equipment

No.:

Date: 12-SEP-2016

## DATA SHEET Three-phase induction motor - Squirrel cage rotor

Customer :  
 Product line : Three-Phase: Fractional Explosion Proof Motors

Frame : 56H  
 Output : 2 HP  
 Frequency : 60 Hz  
 Poles : 2  
 Full load speed : 3450 rpm  
 Slip : 4.17 %  
 Voltage : 208-230/460 V  
 Rated current : 5.97-5.40/2.70 A  
 Locked rotor current : 38.3/19.2 A  
 Locked rotor current (I<sub>L</sub>/I<sub>n</sub>) : 7.1  
 No-load current : 2.20/1.10 A  
 Full load torque : 3.00 lb.ft  
 Locked rotor torque : 320 %  
 Breakdown torque : 370 %  
 Design : A  
 Insulation class : F  
 Temperature rise : 80 K  
 Locked rotor time : 3 s (hot)  
 Service factor : 1.00  
 Duty cycle : S1  
 Ambient temperature : -20°C - +50°C  
 Altitude : 1000 m  
 Degree of Protection : IP55  
 Approximate weight : 32 lb  
 Moment of inertia : 0.01495 sq.ft.lb  
 Noise level : ---

	D.E.	N.D.E.
Bearings	6203 ZZ	6203 ZZ
Regreasing interval	---	---
Grease amount	---	---

Load	Power factor	Efficiency (%)
100%	0.84	83.0
75%	0.79	83.0
50%	0.75	76.0

Notes:  
 Downloaded from <http://dealerselectric.com>  
 Generated for Model #00236XS3E56H

Performed by

Checked



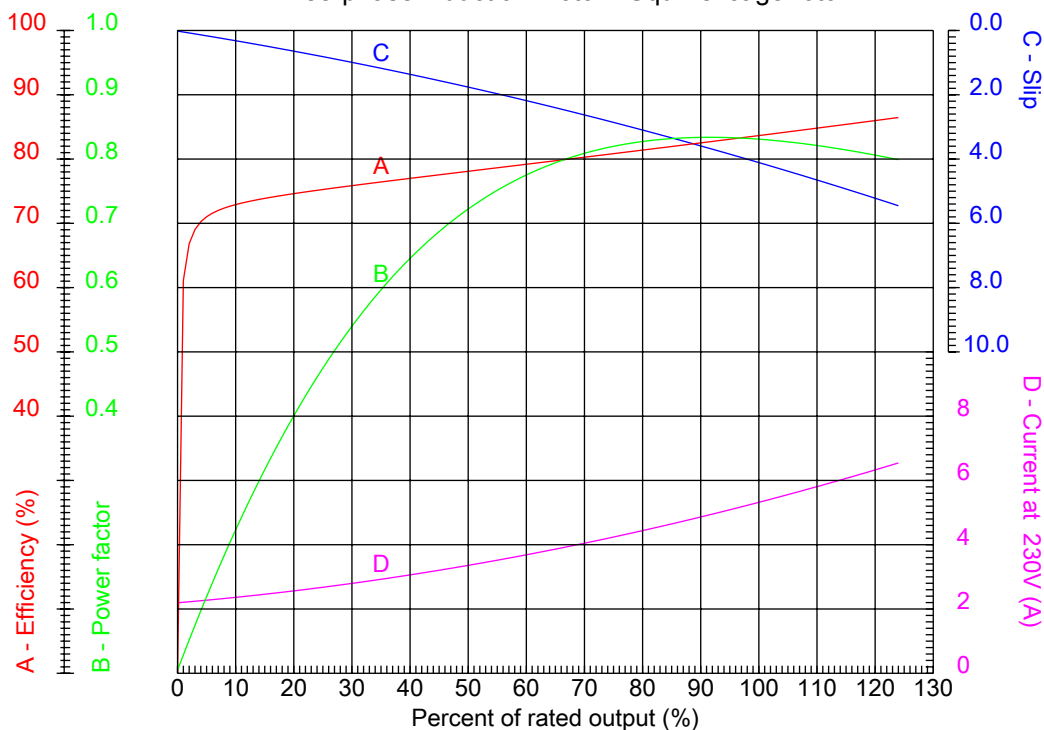
# Dealers Industrial Equipment

No.:

Date: 12-SEP-2016

## PERFORMANCE CURVES RELATED TO RATED OUTPUT

Three-phase induction motor - Squirrel cage rotor



Customer :  
 Product line : Three-Phase: Fractional Explosion Proof Motors

Frame	: 56H	Locked rotor current (I <sub>l</sub> /I <sub>n</sub> )	: 7.1
Output	: 2 HP	Duty cycle	: S1
Frequency	: 60 Hz	Service factor	: 1.00
Full load speed	: 3450 rpm	Design	: A
Voltage	: 208-230/460 V	Locked rotor torque	: 320 %
Rated current	: 5.97-5.40/2.70 A	Breakdown torque	: 370 %
Insulation class	: F		

Notes:  
 Downloaded from <http://dealerselectric.com>  
 Generated for Model #00236XS3E56H

Performed by

Checked



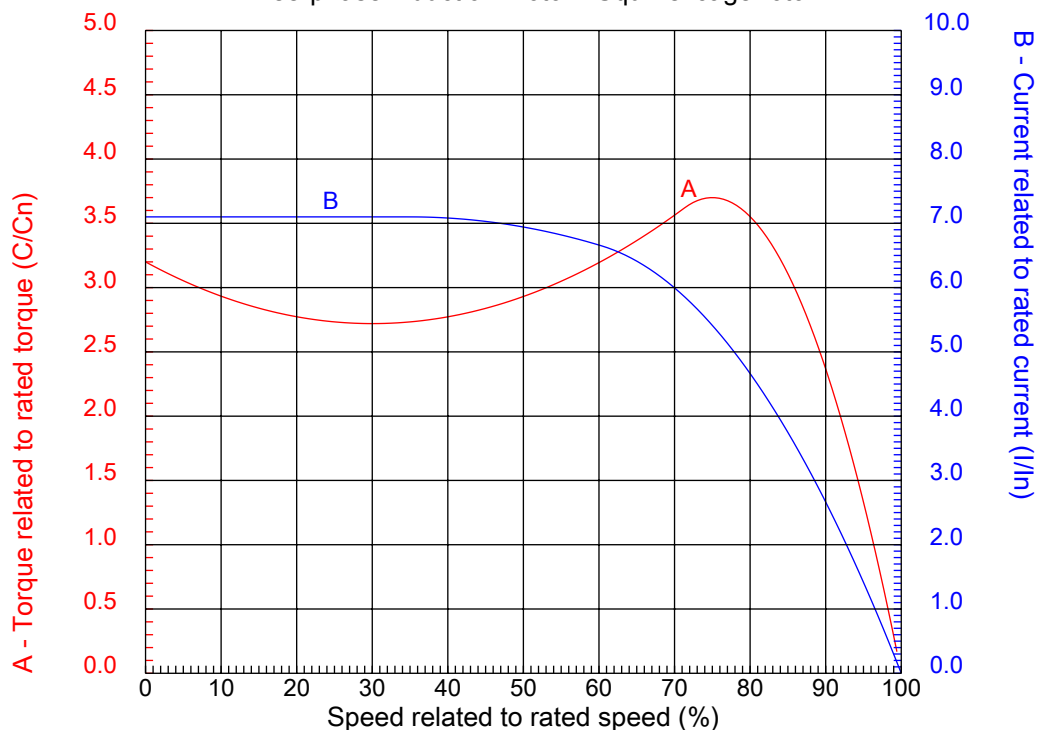
# Dealers Industrial Equipment

No.:

Date: 12-SEP-2016

## CHARACTERISTIC CURVES RELATED TO SPEED

Three-phase induction motor - Squirrel cage rotor



Customer :  
Product line : Three-Phase: Fractional Explosion Proof Motors

Frame	: 56H	Locked rotor current (I <sub>l</sub> /I <sub>n</sub> )	: 7.1
Output	: 2 HP	Duty cycle	: S1
Frequency	: 60 Hz	Service factor	: 1.00
Full load speed	: 3450 rpm	Design	: A
Voltage	: 208-230/460 V	Locked rotor torque	: 320 %
Rated current	: 5.97-5.40/2.70 A	Breakdown torque	: 370 %
Insulation class	: F		

Notes:  
Downloaded from <http://dealerselectric.com>  
Generated for Model #00236XS3E56H

Performed by

Checked

1 2 3 4 5 6 7 8

A

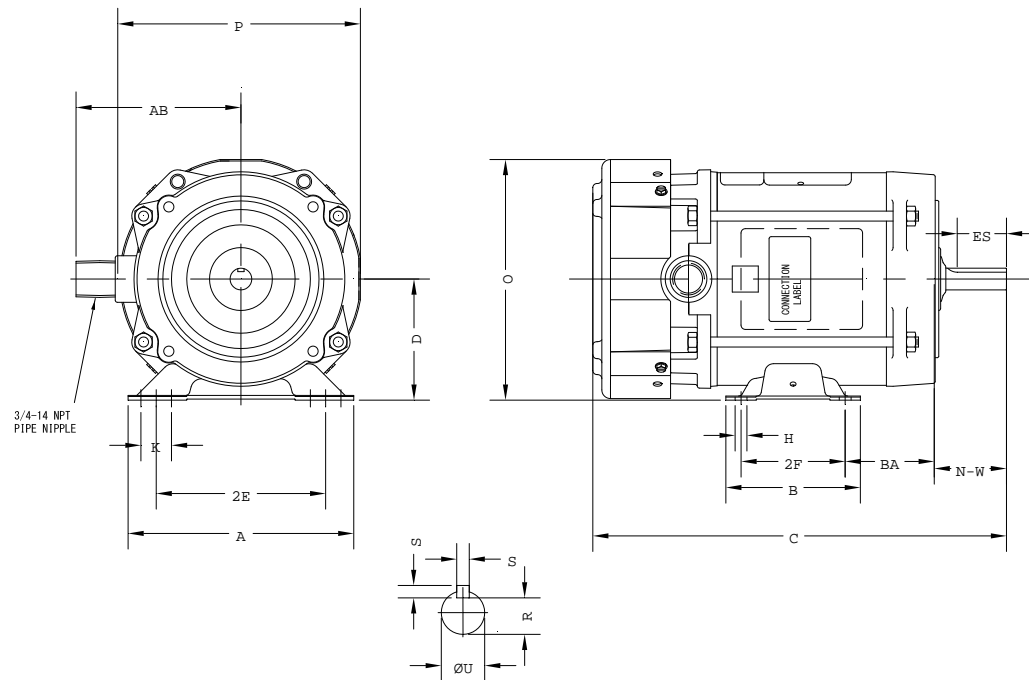
B

C

D

E

F



Notes: Downloaded from <http://dealerselectric.com>  
Generated for Model #00236XS3E56H

Performed by:

Checked:

Customer:

Three-Phase: Fractional Explosion Proof Motors

2E	A	P	AB	B
4.880	6.500	6.980	4.500	5.880
BA	U	N-W	ES	S
2.750	0.6250	1.880	1.380	0.190
R	D	O	H	C
0.517	3.500	6.920	0.340	14.040
d1	2F			
SEM	3.000/5.000			

Three-phase induction motor  
Frame 56H - IP55

12-SEP-2016

