



Dealers Industrial Equipment

No.:

Date: 12-SEP-2016

Customer :

TECHNICAL PROPOSAL

Single-phase induction motor - Squirrel cage rotor

Product line : Single-Phase: Fractional Explosion Proof Motors

Catalog Number : 00236XS1C56H

List Price : \$1,408

Notes:

Downloaded from <http://dealerselectric.com>

Generated for Model #00236XS1C56H

Performed by:

Checked:



Dealers Industrial Equipment

No.:

Date: 12-SEP-2016

DATA SHEET

Single-phase induction motor - Squirrel cage rotor

Customer :
Product line : Single-Phase: Fractional Explosion Proof Motors

Frame : 56H
Output : 2 HP
Frequency : 60 Hz
Poles : 2
Full load speed : 3450 rpm
Slip : 4.17 %
Voltage : 230 V
Rated current : 9.80 A
Locked rotor current : 63.7 A
Locked rotor current (I_L/I_n) : 6.5
No-load current : 4.40 A
Full load torque : 3.00 lb.ft
Locked rotor torque : 120 %
Breakdown torque : 250 %
Design : ---
Insulation class : F
Temperature rise : 80 K
Locked rotor time : 4 s (hot)
Service factor : 1.00
Duty cycle : S1
Ambient temperature : -20°C - +50°C
Altitude : 1000 m
Degree of Protection : IP55
Approximate weight : 40 lb
Moment of inertia : 0.02254 sq.ft.lb
Noise level : ---

	D.E.	N.D.E.
Bearings	6205 ZZ	6203 ZZ
Regreasing interval	---	---
Grease amount	---	---

Load	Power factor	Efficiency (%)
100%	0.85	78.1
75%	0.80	77.0
50%	0.70	74.0

Notes:
Downloaded from <http://dealerselectric.com>
Generated for Model #00236XS1C56H

Performed by

Checked



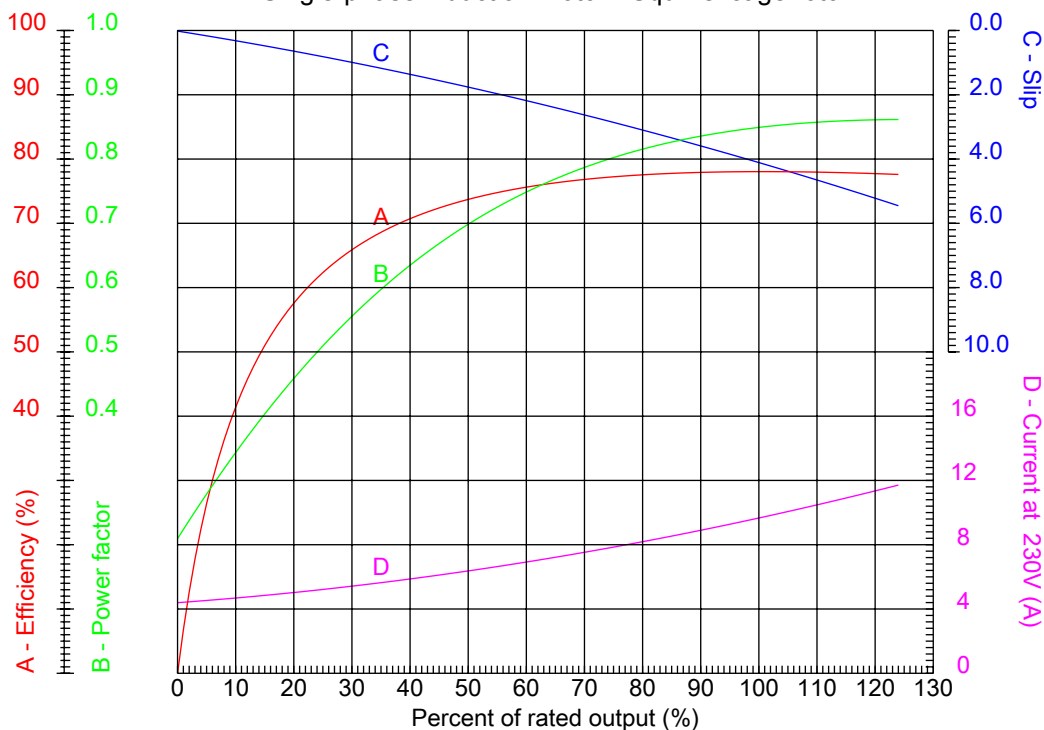
Dealers Industrial Equipment

No.:

Date: 12-SEP-2016

PERFORMANCE CURVES RELATED TO RATED OUTPUT

Single-phase induction motor - Squirrel cage rotor



Customer :
 Product line : Single-Phase: Fractional Explosion Proof Motors

Frame	: 56H	Locked rotor current (I _L /I _n)	: 6.5
Output	: 2 HP	Duty cycle	: S1
Frequency	: 60 Hz	Service factor	: 1.00
Full load speed	: 3450 rpm	Design	: ---
Voltage	: 230 V	Locked rotor torque	: 120 %
Rated current	: 9.80 A	Breakdown torque	: 250 %
Insulation class	: F		

Notes:
 Downloaded from <http://dealerselectric.com>
 Generated for Model #00236XS1C56H

Performed by

Checked

1 2 3 4 5 6 7 8

A

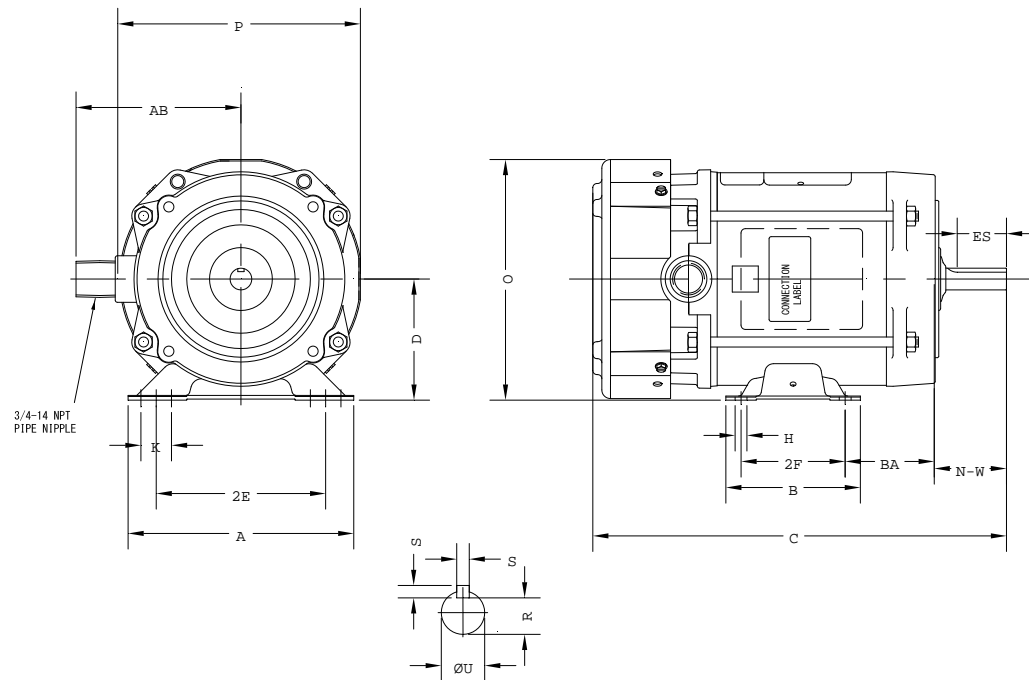
B

C

D

E

F



Notes: Downloaded from <http://dealerselectric.com>
Generated for Model #00236XS1C56H

Performed by:

Checked:

Customer:

Single-Phase: Fractional Explosion Proof Motors

2E	A	P	AB	B
4.880	6.500	6.980	4.500	5.880
BA	U	N-W	ES	S
2.750	0.6250	1.880	1.380	0.190
R	D	O	H	C
0.517	3.500	6.920	0.340	14.540
d1	2F			
SEM	3.000/5.000			

Single-phase induction motor
Frame 56H - IP55

12-SEP-2016

