



Dealers Industrial Equipment

No.:

Date: 12-SEP-2016

Customer :

TECHNICAL PROPOSAL

Three-phase induction motor - Squirrel cage rotor

Product line : Three-Phase: W22 IEEE-841™ Petrochem Motors - NEMA Premium® Efficiency

Catalog Number : 00236ST3QIE145TC-W22

List Price : \$1,073

Notes:

Downloaded from <http://dealerselectric.com>

Generated for Model #00236ST3QIE145TC-W22

Performed by:

Checked:



# Dealers Industrial Equipment

No.:

Date: 12-SEP-2016

## DATA SHEET Three-phase induction motor - Squirrel cage rotor

Customer :  
 Product line : Three-Phase: W22 IEEE-841™ Petrochem Motors - NEMA Premium® Efficiency

Frame : 143/5T  
 Output : 2 HP  
 Frequency : 60 Hz  
 Poles : 2  
 Full load speed : 3475 rpm  
 Slip : 3.47 %  
 Voltage : 460 V  
 Rated current : 2.56 A  
 Locked rotor current : 22.8 A  
 Locked rotor current (I<sub>L</sub>/I<sub>n</sub>) : 8.9  
 No-load current : 0.900 A  
 Full load torque : 2.98 lb.ft  
 Locked rotor torque : 350 %  
 Breakdown torque : 380 %  
 Design : B  
 Insulation class : F  
 Temperature rise : 80 K  
 Locked rotor time : 17 s (hot)  
 Service factor : 1.25  
 Duty cycle : S1  
 Ambient temperature : -20°C - +40°C  
 Altitude : 1000 m  
 Degree of Protection : IP55  
 Approximate weight : 52 lb  
 Moment of inertia : 0.06051 sq.ft.lb  
 Noise level : 68 dB(A)

	D.E.	N.D.E.
Bearings	6205 C3	6204 C3
Regreasing interval	20000 h	20000 h
Grease amount	4 g	4 g

Load	Power factor	Efficiency (%)
100%	0.86	85.5
75%	0.80	85.5
50%	0.71	82.5

Notes:  
 Downloaded from <http://dealerselectric.com>  
 Generated for Model #00236ST3QIE145TC-W22

Performed by

Checked



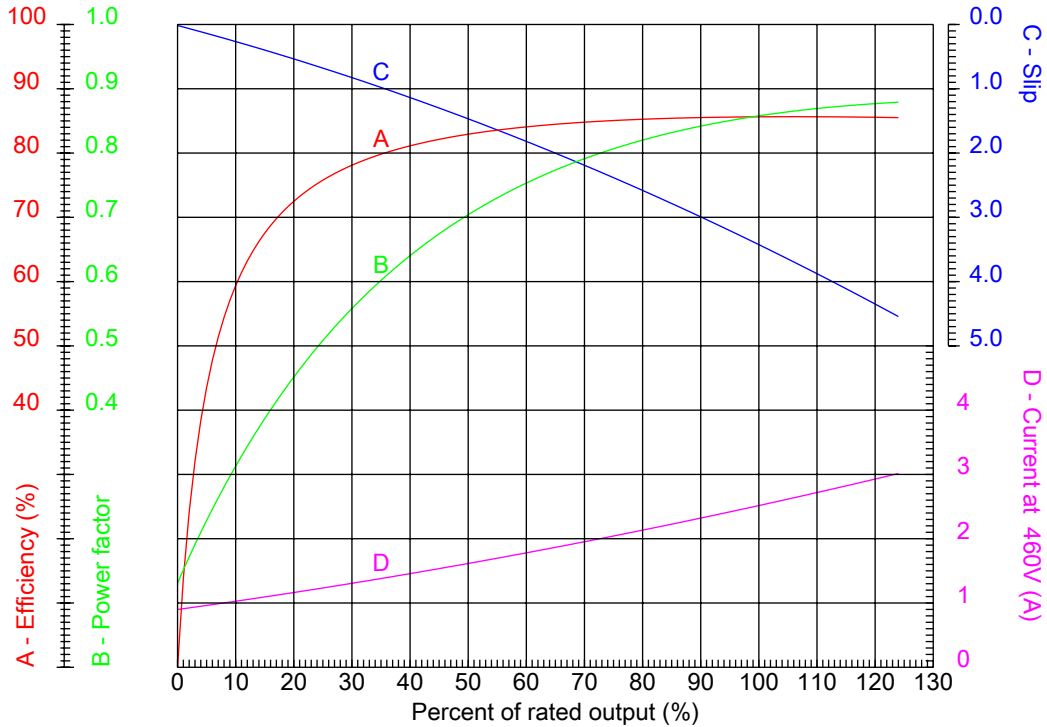
# Dealers Industrial Equipment

No.:

Date: 12-SEP-2016

## PERFORMANCE CURVES RELATED TO RATED OUTPUT

Three-phase induction motor - Squirrel cage rotor



Customer :  
 Product line : Three-Phase: W22 IEEE-841™ Petrochem Motors - NEMA Premium® Efficiency

Frame	: 143/5T	Locked rotor current (I <sub>L</sub> /I <sub>n</sub> )	: 8.9
Output	: 2 HP	Duty cycle	: S1
Frequency	: 60 Hz	Service factor	: 1.25
Full load speed	: 3475 rpm	Design	: B
Voltage	: 460 V	Locked rotor torque	: 350 %
Rated current	: 2.56 A	Breakdown torque	: 380 %
Insulation class	: F		

Notes:  
 Downloaded from <http://dealerselectric.com>  
 Generated for Model #00236ST3QIE145TC-W22

Performed by	Checked
--------------	---------



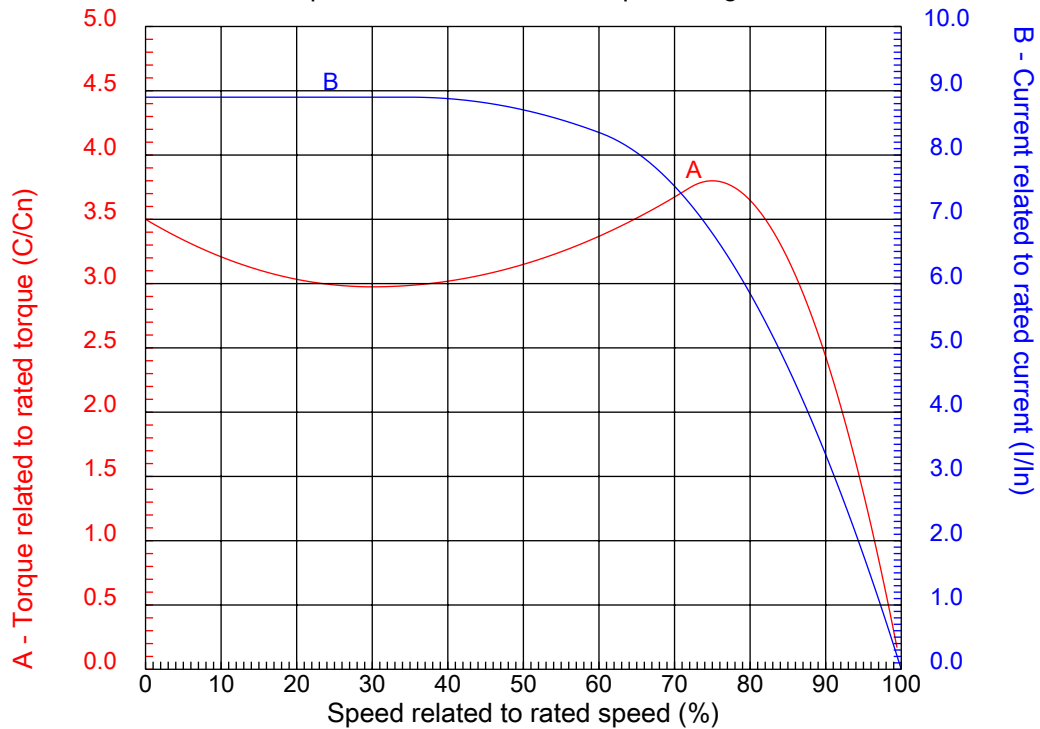
# Dealers Industrial Equipment

No.:

Date: 12-SEP-2016

## CHARACTERISTIC CURVES RELATED TO SPEED

Three-phase induction motor - Squirrel cage rotor



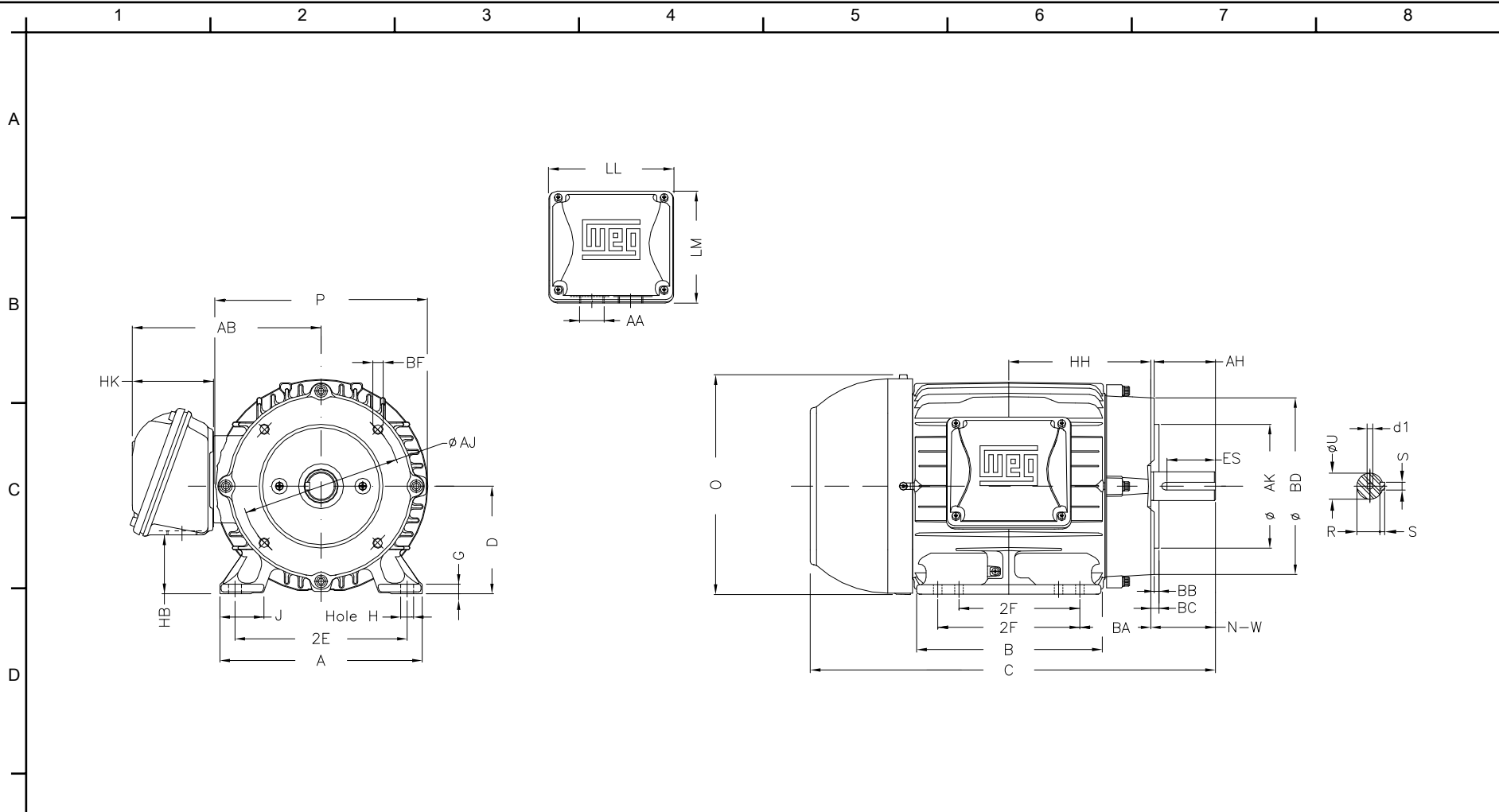
Customer :  
Product line : Three-Phase: W22 IEEE-841™ Petrochem Motors - NEMA Premium® Efficiency

Frame	: 143/5T	Locked rotor current (I <sub>l</sub> /I <sub>n</sub> )	: 8.9
Output	: 2 HP	Duty cycle	: S1
Frequency	: 60 Hz	Service factor	: 1.25
Full load speed	: 3475 rpm	Design	: B
Voltage	: 460 V	Locked rotor torque	: 350 %
Rated current	: 2.56 A	Breakdown torque	: 380 %
Insulation class	: F		

Notes:  
Downloaded from <http://dealerselectric.com>  
Generated for Model #00236ST3QIE145TC-W22

Performed by

Checked



Notes: Downloaded from <http://dealerselectric.com>  
 Generated for Model #00236ST3QIE145TC-W22

2E	J	A	P	AB
5.500	1.437	6.457	7.047	6.260
2F	B	BA	U	N-W
4.000/5.000	6.142	2.250	0.875	2.250
ES	S	R	depth	D
1.417	0.187	0.771	0.187	3.500
G	HB	O	HF	HH
0.354	1.787	7.122	3.500	4.750
HK	H	C	LL	LM
2.638	0.344	13.346	4.528	4.094
AA	d1	d2	Flange	AJ
NPT 3/4"	A 4	A 4	FC-149	5.875
AK	BD	BF	BB	BC
4.500	6.500	UNC 3/8"x16	0.156	0.125
AH				
2.125				

Performed by:

Checked:

Customer:

Three-Phase: W22 IEEE-841™ Petrochem Motors - NEMA Premium® Efficiency

Three-phase induction motor  
 Frame 143/5T - IP55

12-SEP-2016



1 2 3 4 5 6 7 8

A

B

C

D

E

F



Notes: Downloaded from <http://dealerselectric.com>  
Generated for Model #00236ST3QIE145TC-W22

Performed by:

Checked:

Customer:

Three-Phase: W22 IEEE-841™ Petrochem Motors - NEMA Premium® Efficiency

Three-phase induction motor  
Frame 143/5T - IP55

12-SEP-2016

