



# Dealers Industrial Equipment

No.:

Date: 12-SEP-2016

Customer :

## TECHNICAL PROPOSAL

### Three-phase induction motor - Squirrel cage rotor

Product line : Jet Pump - NEMA 56 : Three-Phase - Keyed - ODP (IP21)

Catalog Number : 00236OS3EJPR56C

List Price : \$311

#### Notes:

Downloaded from <http://dealerselectric.com>

Generated for Model #00236OS3EJPR56C

Performed by:

Checked:



# Dealers Industrial Equipment

No.:

Date: 12-SEP-2016

## DATA SHEET Three-phase induction motor - Squirrel cage rotor

Customer :  
 Product line : Jet Pump - NEMA 56 : Three-Phase - Keyed - ODP (IP21)

Frame : D56  
 Output : 2 HP  
 Frequency : 60 Hz  
 Poles : 2  
 Full load speed : 3460 rpm  
 Slip : 3.89 %  
 Voltage : 208-230/460 V  
 Rated current : 5.70-5.36/2.68 A  
 Locked rotor current : 43.4/21.7 A  
 Locked rotor current (I<sub>L</sub>/I<sub>n</sub>) : 8.1  
 No-load current : 2.58/1.29 A  
 Full load torque : 2.99 lb.ft  
 Locked rotor torque : 330 %  
 Breakdown torque : 340 %  
 Design : A  
 Insulation class : B  
 Temperature rise : 80 K  
 Locked rotor time : 10 s (hot)  
 Service factor : 1.20 (1.00 at 208V)  
 Duty cycle : S1  
 Ambient temperature : -20°C - +40°C  
 Altitude : 1000 m  
 Degree of Protection : IP21  
 Approximate weight : 38 lb  
 Moment of inertia : 0.04129 sq.ft.lb  
 Noise level : ---

	D.E.	N.D.E.
Bearings	6204 2RS	6202 2RS
Regreasing interval	---	---
Grease amount	---	---

Load	Power factor	Efficiency (%)
100%	0.87	81.0
75%	0.80	80.5
50%	0.68	78.0

Notes:  
 Downloaded from <http://dealerselectric.com>  
 Generated for Model #00236OS3EJPR56C

Performed by

Checked



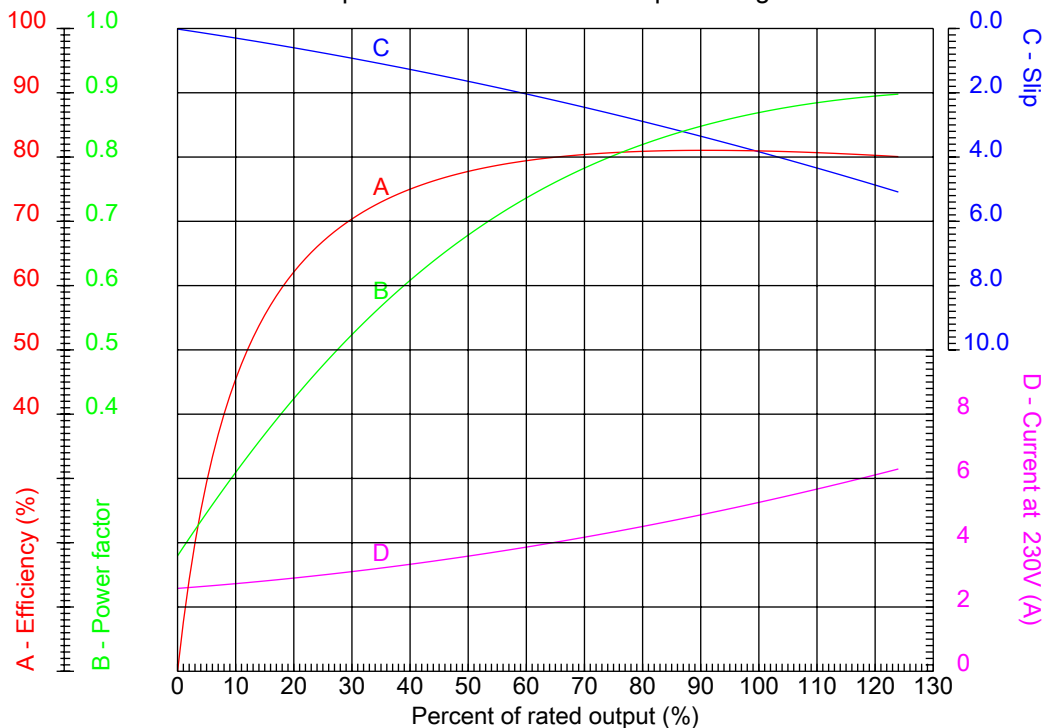
# Dealers Industrial Equipment

No.:

Date: 12-SEP-2016

## PERFORMANCE CURVES RELATED TO RATED OUTPUT

Three-phase induction motor - Squirrel cage rotor



Customer :  
 Product line : Jet Pump - NEMA 56 : Three-Phase - Keyed - ODP (IP21)

Frame	: D56	Locked rotor current (I <sub>l</sub> /I <sub>n</sub> )	: 8.1
Output	: 2 HP	Duty cycle	: S1
Frequency	: 60 Hz	Service factor	: 1.20 (1.00 at 208V)
Full load speed	: 3460 rpm	Design	: A
Voltage	: 208-230/460 V	Locked rotor torque	: 330 %
Rated current	: 5.70-5.36/2.68 A	Breakdown torque	: 340 %
Insulation class	: B		

Notes:  
 Downloaded from <http://dealerselectric.com>  
 Generated for Model #00236OS3EJPR56C

Performed by

Checked



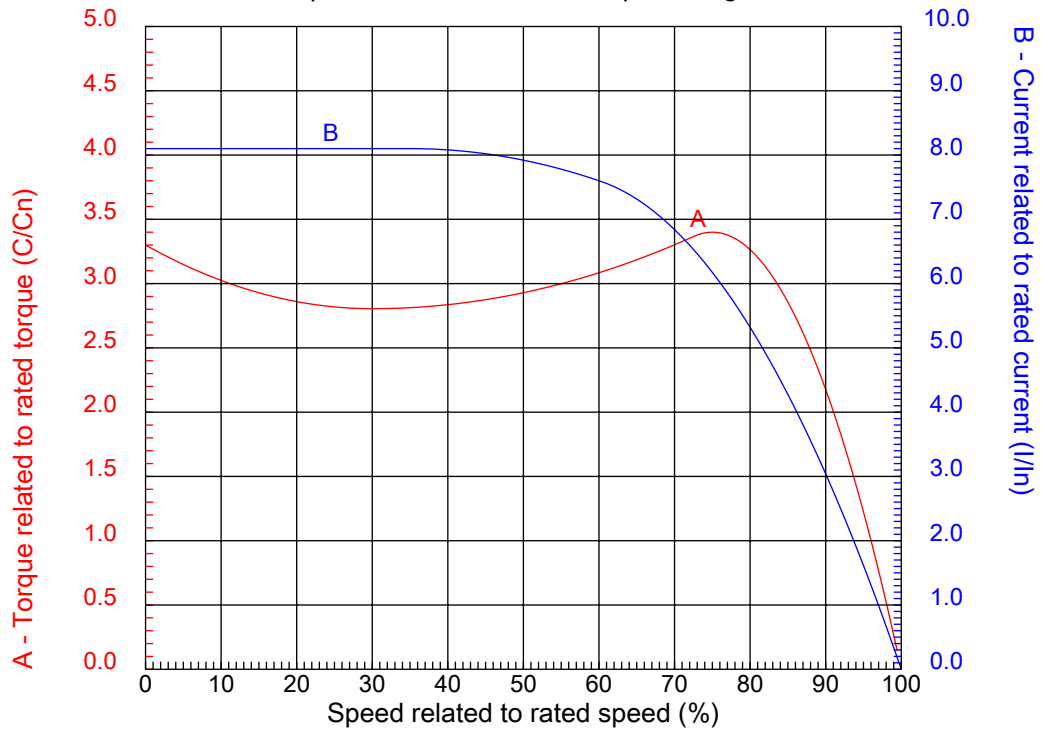
# Dealers Industrial Equipment

No.:

Date: 12-SEP-2016

## CHARACTERISTIC CURVES RELATED TO SPEED

Three-phase induction motor - Squirrel cage rotor



Customer :  
Product line : Jet Pump - NEMA 56 : Three-Phase - Keyed - ODP (IP21)

Frame	: D56	Locked rotor current (I <sub>l</sub> /I <sub>n</sub> )	: 8.1
Output	: 2 HP	Duty cycle	: S1
Frequency	: 60 Hz	Service factor	: 1.20 (1.00 at 208V)
Full load speed	: 3460 rpm	Design	: A
Voltage	: 208-230/460 V	Locked rotor torque	: 330 %
Rated current	: 5.70-5.36/2.68 A	Breakdown torque	: 340 %
Insulation class	: B		

Notes:  
Downloaded from <http://dealerselectric.com>  
Generated for Model #00236OS3EJPR56C

Performed by

Checked

1 2 3 4 5 6 7 8

A

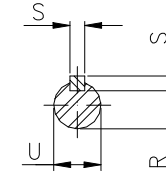
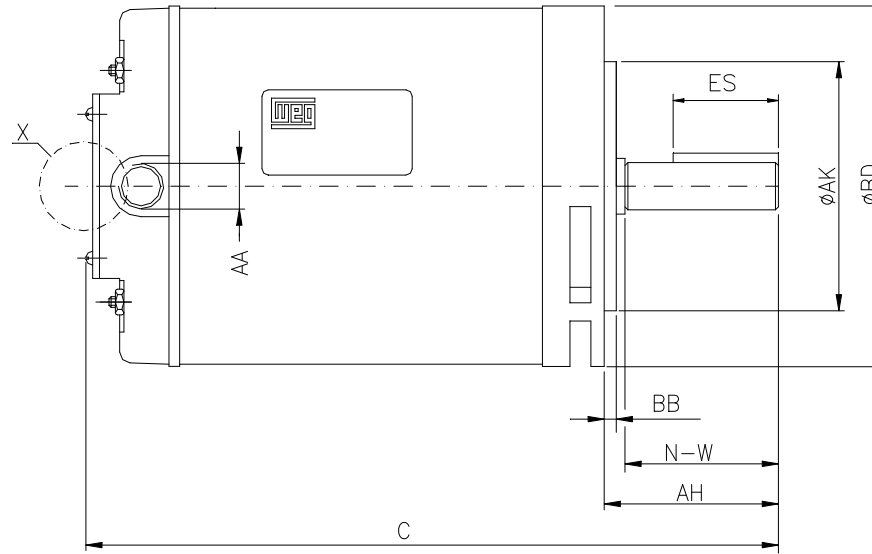
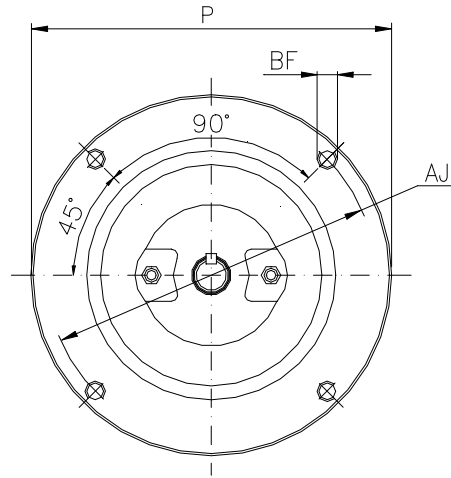
B

C

D

E

F



Notes: Downloaded from <http://dealerselectric.com>  
Generated for Model #00236OS3EJPR56C

Performed by:

Checked:

Customer:

Jet Pump - NEMA 56 : Three-Phase - Keyed - ODP (IP21)

C	P	ES	S	N-W
12.283	6.496	1.417	0.187	1.874
U	R	AA	Flange	AJ
0.625	0.517	NPT 1/2"	FC-149	5.874
AK	BD	BF	BB	AH
4.500	6.535	114.3	0.157	2.063

Three-phase induction motor  
Frame D56 - IP21

12-SEP-2016



1 2 3 4 5 6 7 8

A

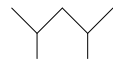
### LOW VOLTAGE

### HIGH VOLTAGE

B



C



D

E

F

Notes: Downloaded from <http://dealerselectric.com>  
 Generated for Model #00236OS3EJPR56C

Performed by:

Checked:

Customer:

Jet Pump - NEMA 56 : Three-Phase - Keyed - ODP (IP21)

Three-phase induction motor  
 Frame D56 - IP21

12-SEP-2016

