



Dealers Industrial Equipment

No.:

Date: 12-SEP-2016

Customer :

TECHNICAL PROPOSAL

## Single-phase induction motor - Squirrel cage rotor

Product line : Jet Pump - NEMA 56 : Single-Phase - Threaded - ODP (IP21)

Catalog Number : -

List Price : \$-

Notes:

Downloaded from <http://dealerselectric.com>

Generated for Model #00236OS1BJPR56J

Performed by:

Checked:



Dealers Industrial Equipment

No.:

Date: 12-SEP-2016

## DATA SHEET

### Single-phase induction motor - Squirrel cage rotor

Customer :  
Product line : Jet Pump - NEMA 56 : Single-Phase - Threaded - ODP (IP21)

Frame : E56  
Output : 2 HP  
Frequency : 60 Hz  
Poles : 2  
Full load speed : 3490 rpm  
Slip : 3.06 %  
Voltage : 115/208-230 V  
Rated current : 20.7/11.1-10.4 A  
Locked rotor current : 145/72.4 A  
Locked rotor current (I<sub>L</sub>/I<sub>n</sub>) : 7.0  
No-load current : 11.3/5.65 A  
Full load torque : 2.97 lb.ft  
Locked rotor torque : 250 %  
Breakdown torque : 250 %  
Design : ---  
Insulation class : B  
Temperature rise : 80 K  
Locked rotor time : 6 s (hot)  
Service factor : 1.20 (1.00 at 208V)  
Duty cycle : S1  
Ambient temperature : -20°C - +40°C  
Altitude : 1000 m  
Degree of Protection : IP21  
Approximate weight : 44 lb  
Moment of inertia : 0.05553 sq.ft.lb  
Noise level : ---

	D.E.	N.D.E.
Bearings	6203 2RS	6203 2RS
Regreasing interval	---	---
Grease amount	---	---

Load	Power factor	Efficiency (%)
100%	0.80	77.3
75%	0.73	77.0
50%	0.62	72.8

Notes:  
Downloaded from <http://dealerselectric.com>  
Generated for Model #00236OS1BJPR56J

Performed by

Checked



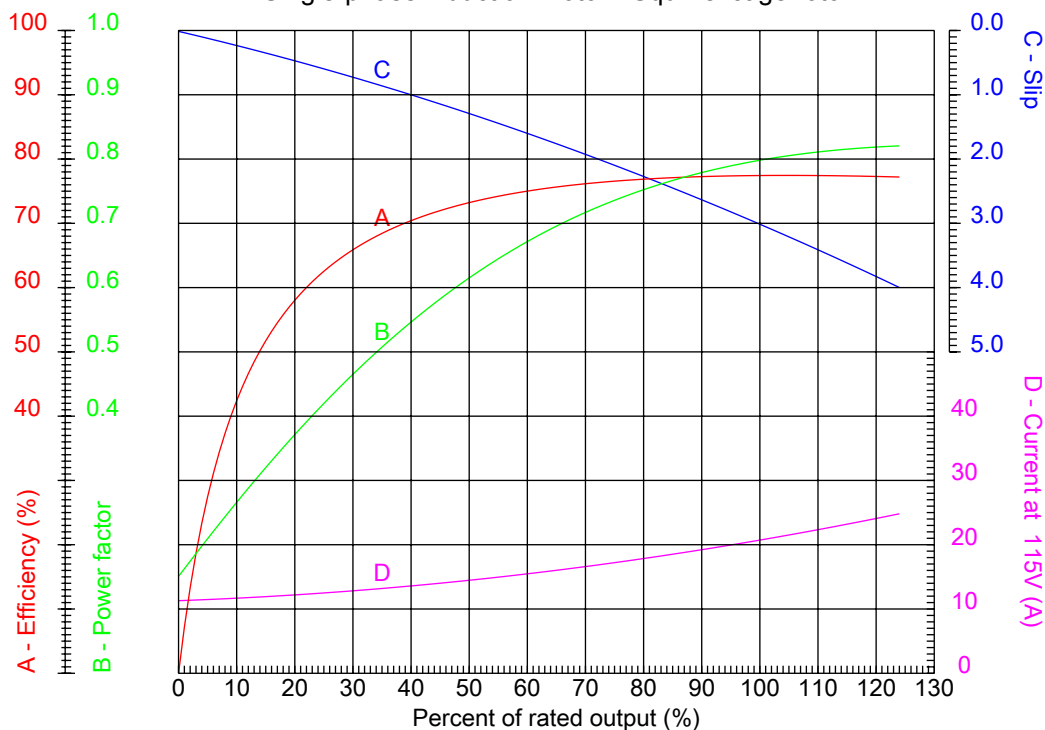
# Dealers Industrial Equipment

No.:

Date: 12-SEP-2016

## PERFORMANCE CURVES RELATED TO RATED OUTPUT

Single-phase induction motor - Squirrel cage rotor



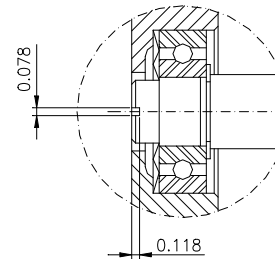
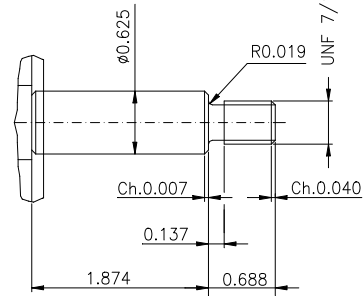
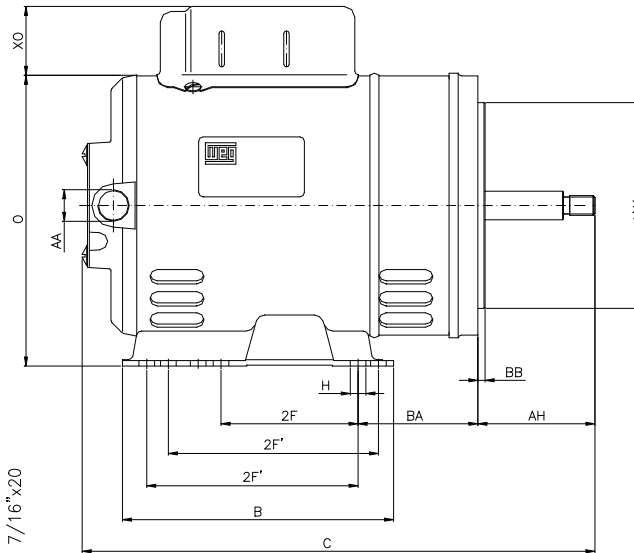
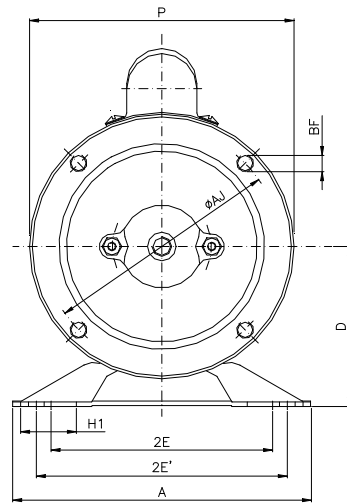
Customer :  
Product line : Jet Pump - NEMA 56 : Single-Phase - Threaded - ODP (IP21)

Frame : E56	Locked rotor current (I <sub>L</sub> /I <sub>n</sub> ) : 7.0
Output : 2 HP	Duty cycle : S1
Frequency : 60 Hz	Service factor : 1.20 (1.00 at 208V)
Full load speed : 3490 rpm	Design : ---
Voltage : 115/208-230 V	Locked rotor torque : 250 %
Rated current : 20.7/11.1-10.4 A	Breakdown torque : 250 %
Insulation class : B	

Notes:  
Downloaded from <http://dealerselectric.com>  
Generated for Model #00236OS1BJPR56J

Performed by

Checked



DETAIL X

Notes: Downloaded from <http://dealerselectric.com>  
Generated for Model #00236OS1BJPR56J

Performed by:

Checked:

Customer:

Jet Pump - NEMA 56 : Single-Phase - Threaded - ODP (IP21)

P 6.535	C 13.898	N-W 1.874	U 0.625	AA NPT 1/2"
d1 D UNF 1/4"-28				

Single-phase induction motor  
Frame E56 - IP21

12-SEP-2016

