



Dealers Industrial Equipment

No.:

Date: 12-SEP-2016

Customer :

TECHNICAL PROPOSAL

Single-phase induction motor - Squirrel cage rotor

Product line : Single-Phase : NEMA 48 & 56 ODP - Start Capacitor

Catalog Number : 00236OS1BF56

List Price : \$409

Notes:

Downloaded from <http://dealerselectric.com>

Generated for Model #00236OS1BF56

Performed by:

Checked:



Dealers Industrial Equipment

No.:

Date: 12-SEP-2016

DATA SHEET Single-phase induction motor - Squirrel cage rotor

Customer :
 Product line : Single-Phase : NEMA 48 & 56 ODP - Start Capacitor

Frame : F56H
 Output : 2 HP
 Frequency : 60 Hz
 Poles : 2
 Full load speed : 3525 rpm
 Slip : 2.08 %
 Voltage : 115/208-230 V
 Rated current : 21.9/11.3-11.0 A
 Locked rotor current : 175/87.6 A
 Locked rotor current (I_L/I_n) : 8.0
 No-load current : 14.0/7.00 A
 Full load torque : 2.94 lb.ft
 Locked rotor torque : 250 %
 Breakdown torque : 280 %
 Design : ---
 Insulation class : B
 Temperature rise : 80 K
 Locked rotor time : 6 s (hot)
 Service factor : 1.15 (1.00 at 208V)
 Duty cycle : S1
 Ambient temperature : -20°C - +40°C
 Altitude : 1000 m
 Degree of Protection : IP21
 Approximate weight : 42 lb
 Moment of inertia : 0.06644 sq.ft.lb
 Noise level : ---

	D.E.	N.D.E.
Bearings	6204 ZZ	6203 ZZ
Regreasing interval	---	---
Grease amount	---	---

Load	Power factor	Efficiency (%)
100%	0.75	77.9
75%	0.67	76.2
50%	0.59	71.1

Notes:
 Downloaded from <http://dealerselectric.com>
 Generated for Model #00236OS1BF56

Performed by

Checked



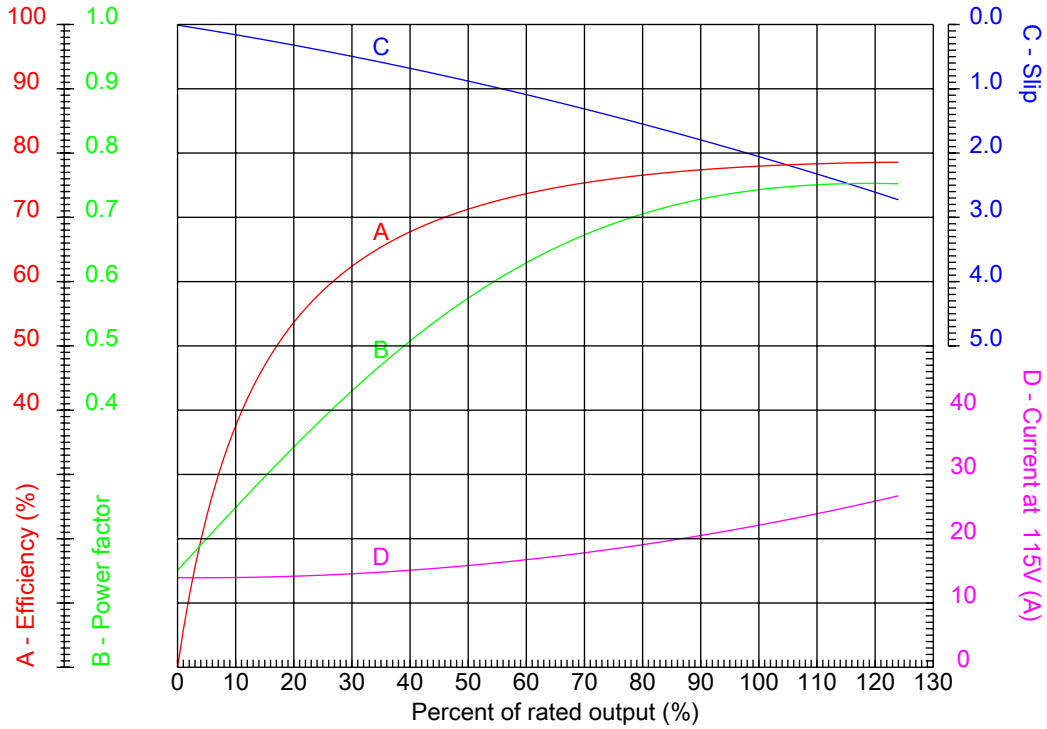
Dealers Industrial Equipment

No.:

Date: 12-SEP-2016

PERFORMANCE CURVES RELATED TO RATED OUTPUT

Single-phase induction motor - Squirrel cage rotor



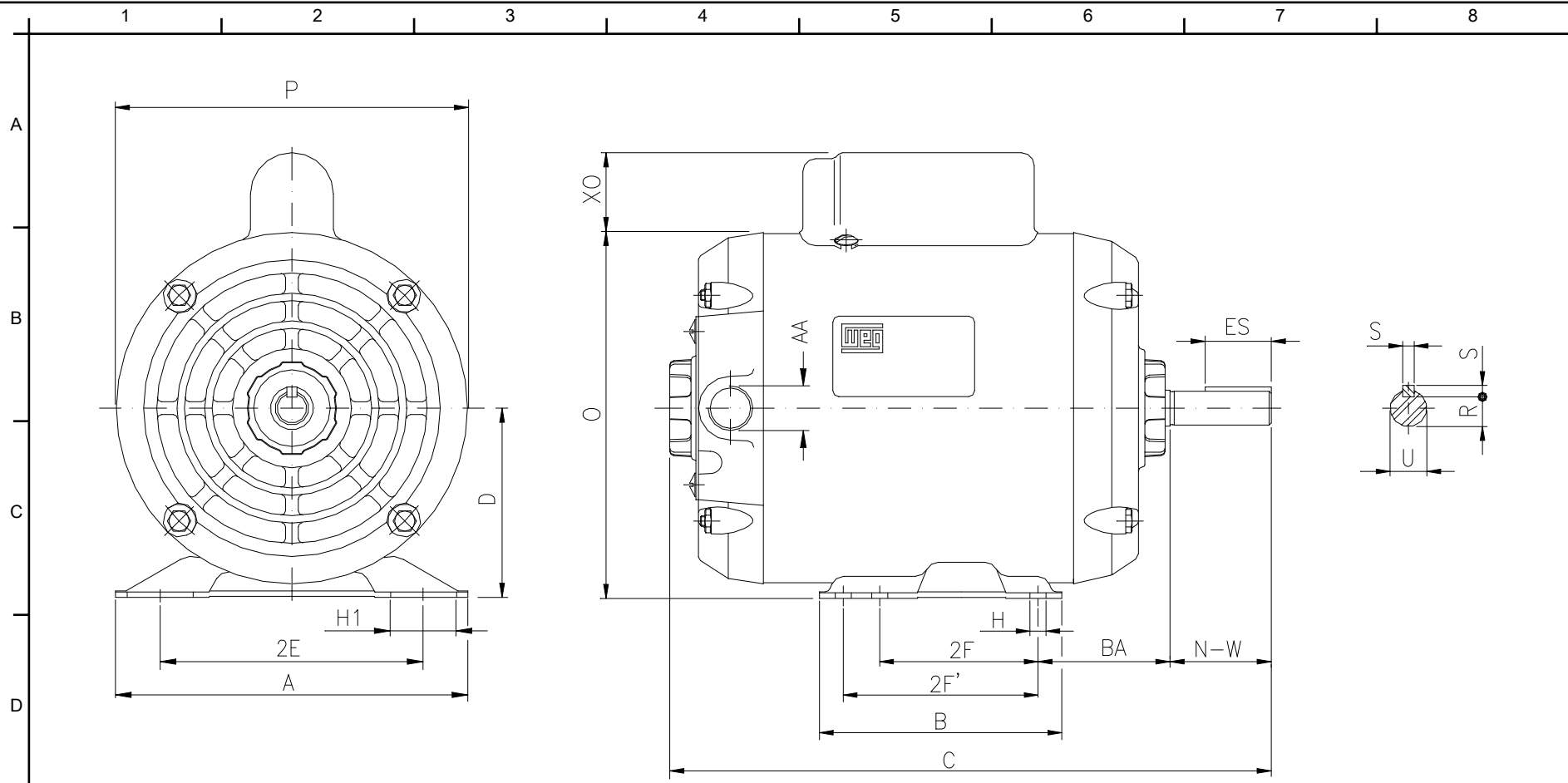
Customer :
 Product line : Single-Phase : NEMA 48 & 56 ODP - Start Capacitor

Frame	: F56H	Locked rotor current (I _l /I _n)	: 8.0
Output	: 2 HP	Duty cycle	: S1
Frequency	: 60 Hz	Service factor	: 1.15 (1.00 at 208V)
Full load speed	: 3525 rpm	Design	: ---
Voltage	: 115/208-230 V	Locked rotor torque	: 250 %
Rated current	: 21.9/11.3-11.0 A	Breakdown torque	: 280 %
Insulation class	: B		

Notes:
 Downloaded from <http://dealerselectric.com>
 Generated for Model #00236OS1BF56

Performed by

Checked



Notes: Downloaded from <http://dealerselectric.com>
 Generated for Model #00236OS1BF56

Performed by:

Checked:

Customer:

Single-Phase : NEMA 48 & 56 ODP - Start Capacitor

2E	2F	H	H1	BA
4.874	3.000	0.342	1.220	2.750
A	B	C	D	O
6.535	6.496	13.464	3.500	6.732
XO	P	ES	S	N-W
0.000	6.457	1.102	0.187	1.874
U	R	AA	d1	AH
0.6250	0.517	NPT 1/2"	A 3.15	2.063

Single-phase induction motor
 Frame F56H - IP21

12-SEP-2016

