



Dealers Industrial Equipment

No.:

Date: 12-SEP-2016

Customer :

TECHNICAL PROPOSAL

Three-phase induction motor - Squirrel cage rotor

Product line : W22 NEMA Premium - Ball Bearings

Catalog Number : 00236ET3H145TC-W22

List Price : \$619

Notes:

Downloaded from <http://dealerselectric.com>

Generated for Model #00236ET3H145TC-W22

Performed by:

Checked:



Dealers Industrial Equipment

No.:

Date: 12-SEP-2016

DATA SHEET Three-phase induction motor - Squirrel cage rotor

Customer :
Product line : W22 NEMA Premium - Ball Bearings

Frame : 143/5T
Output : 2 HP
Frequency : 60 Hz
Poles : 2
Full load speed : 3475 rpm
Slip : 3.47 %
Voltage : 575 V
Rated current : 2.05 A
Locked rotor current : 18.2 A
Locked rotor current (I_L/I_n) : 8.9
No-load current : 0.720 A
Full load torque : 2.98 lb.ft
Locked rotor torque : 350 %
Breakdown torque : 380 %
Design : B
Insulation class : F
Temperature rise : 80 K
Locked rotor time : 17 s (hot)
Service factor : 1.25
Duty cycle : S1
Ambient temperature : -20°C - +40°C
Altitude : 1000 m
Degree of Protection : IP55
Approximate weight : 52 lb
Moment of inertia : 0.06051 sq.ft.lb
Noise level : 68 dB(A)

	D.E.	N.D.E.
Bearings	6205 ZZ	6204 ZZ
Regreasing interval	---	---
Grease amount	---	---

Load	Power factor	Efficiency (%)
100%	0.86	85.5
75%	0.80	85.5
50%	0.71	82.5

Notes:
Downloaded from <http://dealerselectric.com>
Generated for Model #00236ET3H145TC-W22

Performed by

Checked



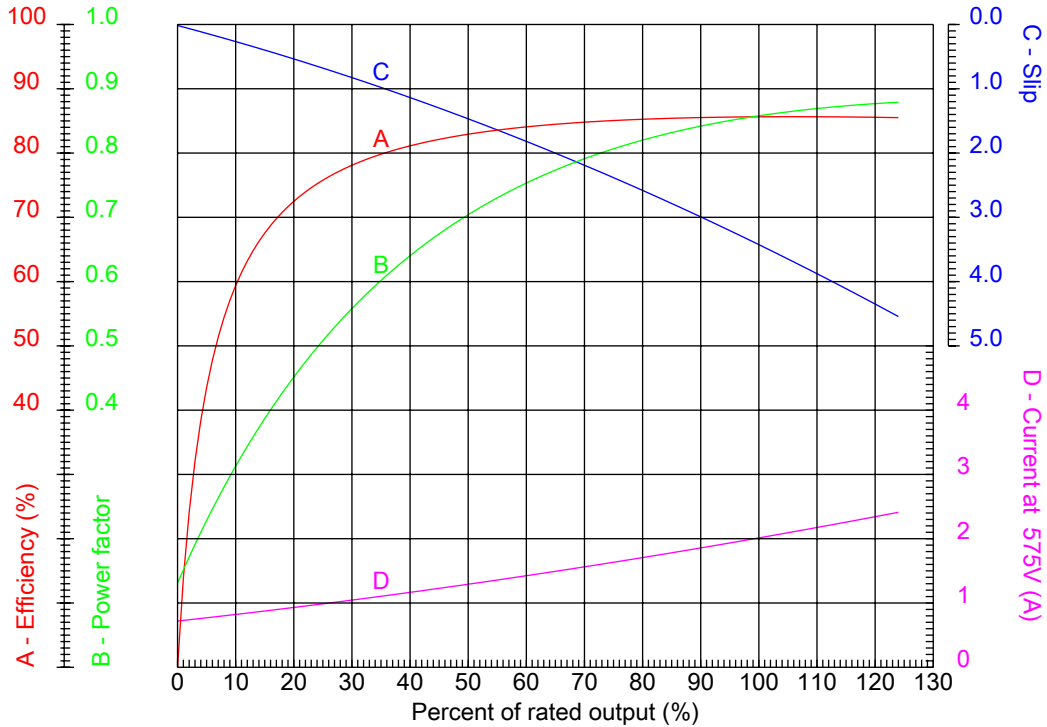
Dealers Industrial Equipment

No.:

Date: 12-SEP-2016

PERFORMANCE CURVES RELATED TO RATED OUTPUT

Three-phase induction motor - Squirrel cage rotor



Customer :
 Product line : W22 NEMA Premium - Ball Bearings

Frame : 143/5T	Locked rotor current (I _l /I _n) : 8.9
Output : 2 HP	Duty cycle : S1
Frequency : 60 Hz	Service factor : 1.25
Full load speed : 3475 rpm	Design : B
Voltage : 575 V	Locked rotor torque : 350 %
Rated current : 2.05 A	Breakdown torque : 380 %
Insulation class : F	

Notes:
 Downloaded from <http://dealerselectric.com>
 Generated for Model #00236ET3H145TC-W22

Performed by

Checked



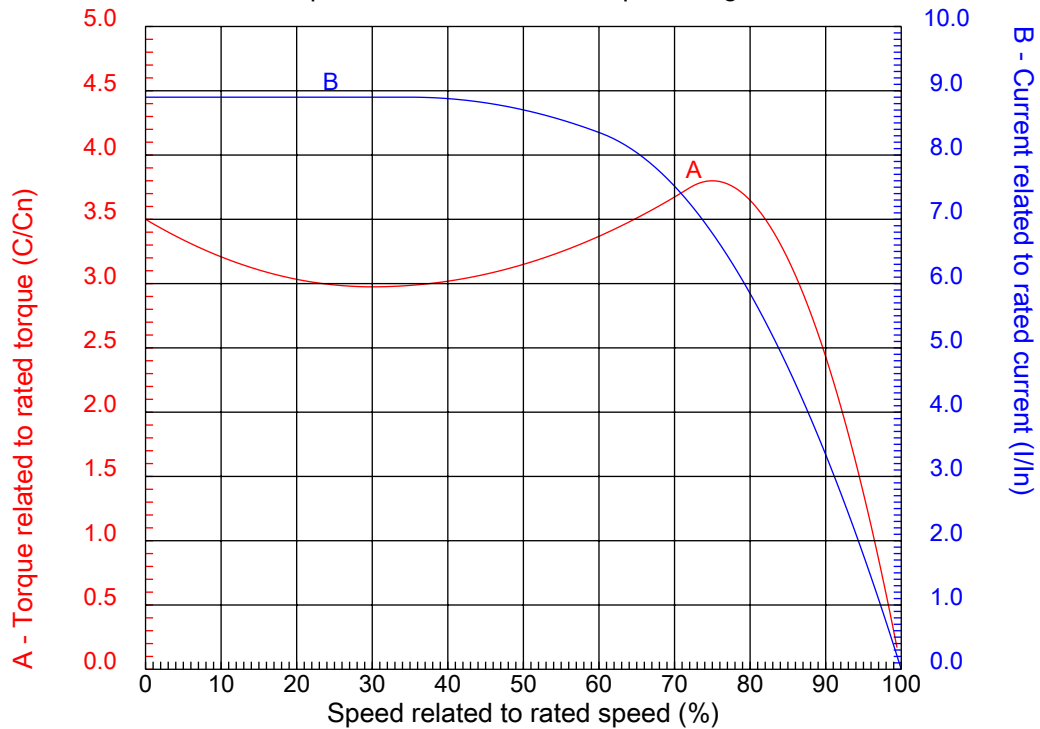
Dealers Industrial Equipment

No.:

Date: 12-SEP-2016

CHARACTERISTIC CURVES RELATED TO SPEED

Three-phase induction motor - Squirrel cage rotor



Customer :
Product line : W22 NEMA Premium - Ball Bearings

Frame	: 143/5T	Locked rotor current (I _l /I _n)	: 8.9
Output	: 2 HP	Duty cycle	: S1
Frequency	: 60 Hz	Service factor	: 1.25
Full load speed	: 3475 rpm	Design	: B
Voltage	: 575 V	Locked rotor torque	: 350 %
Rated current	: 2.05 A	Breakdown torque	: 380 %
Insulation class	: F		

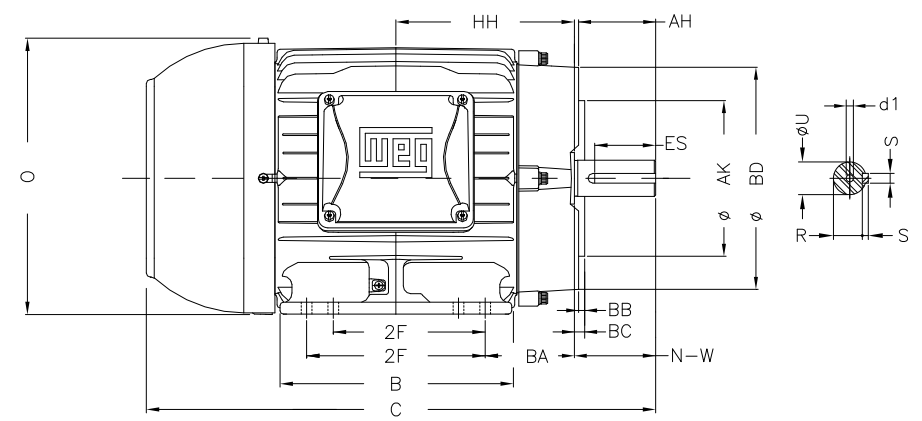
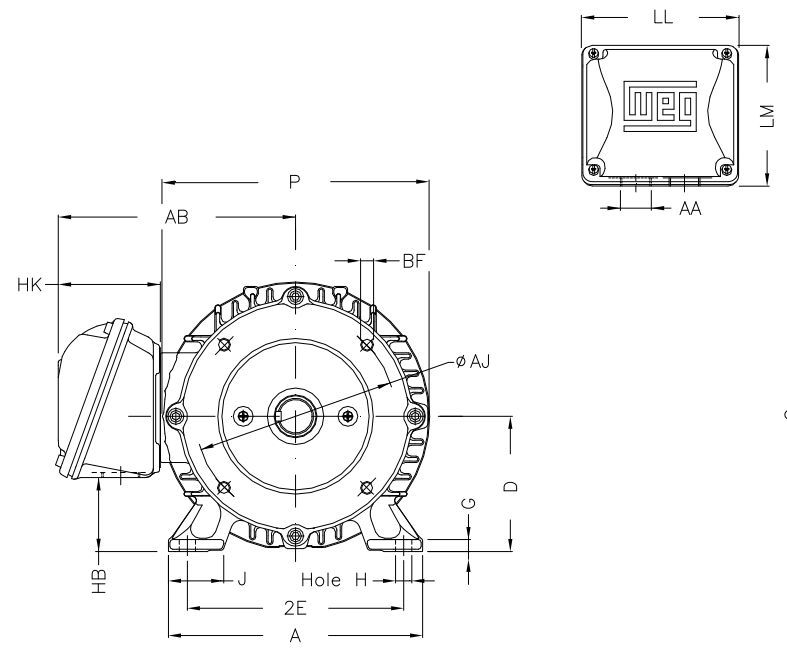
Notes:
Downloaded from <http://dealerselectric.com>
Generated for Model #00236ET3H145TC-W22

Performed by

Checked

1 2 3 4 5 6 7 8

A
B
C
D
E
F



Notes: Downloaded from <http://dealerselectric.com>
Generated for Model #00236ET3H145TC-W22

2E	J	A	P	AB
5.500	1.437	6.457	7.244	6.260
2F	B	BA	FBA	U
4.000/5.000	6.142	2.250	4.082	0.875
N-W	ES	S	R	depth
2.250	1.575	0.187	0.771	0.187
D	G	HB	O	T
3.500	0.354	1.787	7.122	0.007
HF	HH	HK	EV	H
3.500	4.750	2.638	0.571	0.340
C	FC	LL	LM	AA
13.346	15.202	4.528	4.094	NPT 3/4"
d1	Flange	AJ	AK	BD
A 3.15	FC-149	5.875	4.500	6.500
BF	BB	BC	AH	
UNC 3/8"x16	0.157	0.125	2.125	

Performed by:	12-SEP-2016	
Checked:		
Customer:	W22 NEMA Premium - Ball Bearings	
Three-phase induction motor		
Frame 143/5T - IP55		

1 2 3 4 5 6 7 8

A
B
C
D
E
F

RUN

ONLY FOR START



Notes: Downloaded from http://dealerselectric.com Generated for Model #00236ET3H145TC-W22		
Performed by:		
Checked:		
Customer:		
W22 NEMA Premium - Ball Bearings		
Three-phase induction motor Frame 143/5T - IP55	12-SEP-2016	