



Dealers Industrial Equipment

No.:

Date: 12-SEP-2016

Customer :

TECHNICAL PROPOSAL

Three-phase induction motor - Squirrel cage rotor

Product line : Three-Phase : Rolled Steel Motor - NEMA Premium Efficiency

Catalog Number : 00236ET3ERS145T

List Price : \$>(discontinued)</span>

Notes:

Downloaded from <http://dealerselectric.com>

Generated for Model #00236ET3ERS145T

Performed by:

Checked:



# Dealers Industrial Equipment

No.:

Date: 12-SEP-2016

## DATA SHEET Three-phase induction motor - Squirrel cage rotor

Customer :  
 Product line : Three-Phase : Rolled Steel Motor - NEMA Premium Efficiency

Frame : 143/5T  
 Output : 2 HP  
 Frequency : 60 Hz  
 Poles : 2  
 Full load speed : 3440 rpm  
 Slip : 4.44 %  
 Voltage : 208-230/460 V  
 Rated current : 5.40-5.00/2.50 A  
 Locked rotor current : 49.5/24.8 A  
 Locked rotor current (I<sub>L</sub>/I<sub>n</sub>) : 9.9  
 No-load current : 2.00/1.00 A  
 Full load torque : 3.01 lb.ft  
 Locked rotor torque : 500 %  
 Breakdown torque : 400 %  
 Design : B  
 Insulation class : F  
 Temperature rise : 80 K  
 Locked rotor time : 15 s (hot)  
 Service factor : 1.15 (1.00 at 208V)  
 Duty cycle : S1  
 Ambient temperature : -20°C - +40°C  
 Altitude : 1000 m  
 Degree of Protection : IP55  
 Approximate weight : 39 lb  
 Moment of inertia : 0.05933 sq.ft.lb  
 Noise level : ---

	D.E.	N.D.E.
Bearings	6205 ZZ	6203 ZZ
Regreasing interval	---	---
Grease amount	---	---

Load	Power factor	Efficiency (%)
100%	0.88	85.5
75%	0.82	84.0
50%	0.73	81.5

Notes:  
 Downloaded from <http://dealerselectric.com>  
 Generated for Model #00236ET3ERS145T

Performed by

Checked



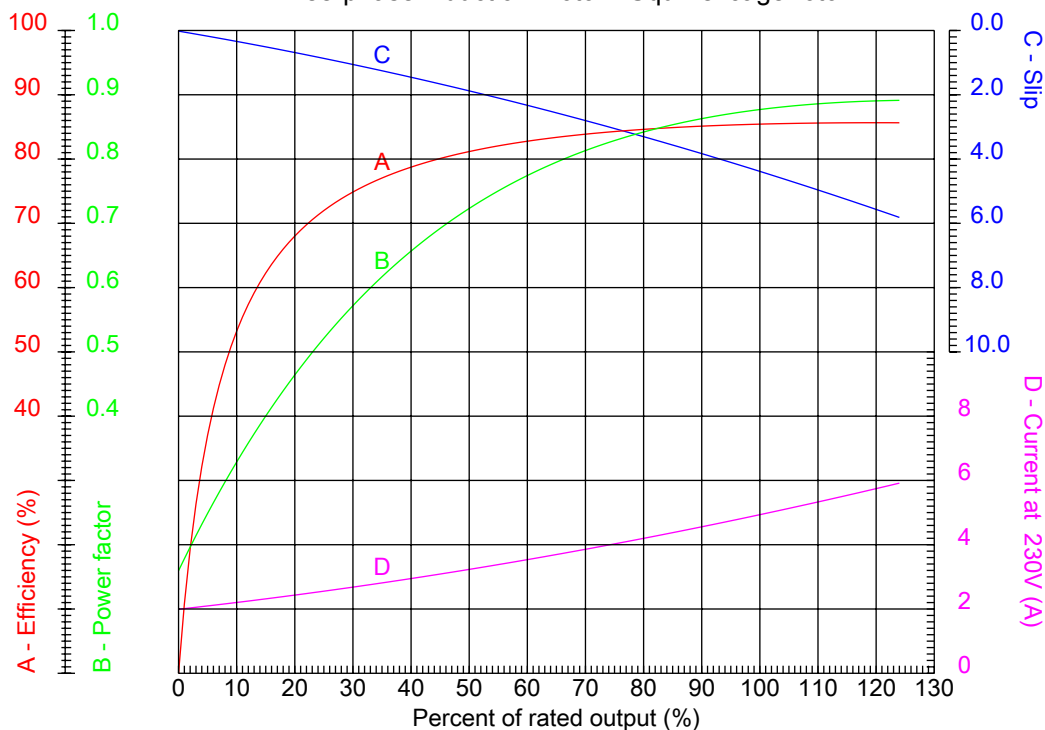
# Dealers Industrial Equipment

No.:

Date: 12-SEP-2016

## PERFORMANCE CURVES RELATED TO RATED OUTPUT

Three-phase induction motor - Squirrel cage rotor



Customer :  
 Product line : Three-Phase : Rolled Steel Motor - NEMA Premium Efficiency

Frame	: 143/5T	Locked rotor current (I <sub>l</sub> /I <sub>n</sub> )	: 9.9
Output	: 2 HP	Duty cycle	: S1
Frequency	: 60 Hz	Service factor	: 1.15 (1.00 at 208V)
Full load speed	: 3440 rpm	Design	: B
Voltage	: 208-230/460 V	Locked rotor torque	: 500 %
Rated current	: 5.40-5.00/2.50 A	Breakdown torque	: 400 %
Insulation class	: F		

Notes:  
 Downloaded from <http://dealerselectric.com>  
 Generated for Model #00236ET3ERS145T

Performed by

Checked



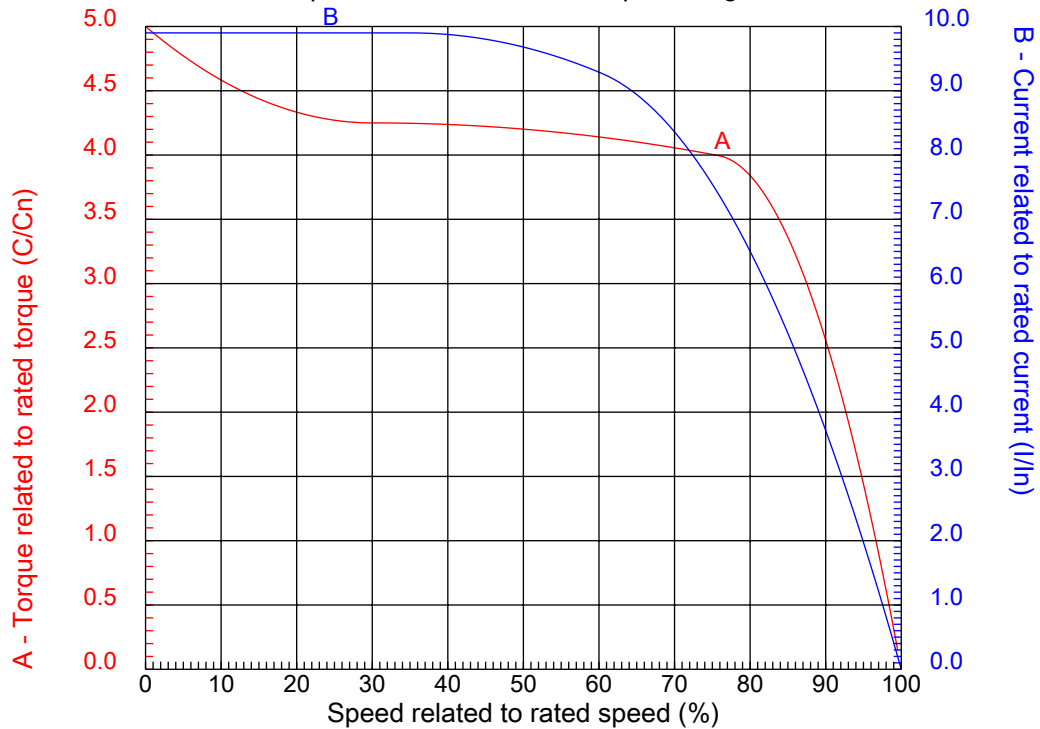
# Dealers Industrial Equipment

No.:

Date: 12-SEP-2016

## CHARACTERISTIC CURVES RELATED TO SPEED

Three-phase induction motor - Squirrel cage rotor



Customer :  
Product line : Three-Phase : Rolled Steel Motor - NEMA Premium Efficiency

Frame	: 143/5T	Locked rotor current (I <sub>l</sub> /I <sub>n</sub> )	: 9.9
Output	: 2 HP	Duty cycle	: S1
Frequency	: 60 Hz	Service factor	: 1.15 (1.00 at 208V)
Full load speed	: 3440 rpm	Design	: B
Voltage	: 208-230/460 V	Locked rotor torque	: 500 %
Rated current	: 5.40-5.00/2.50 A	Breakdown torque	: 400 %
Insulation class	: F		

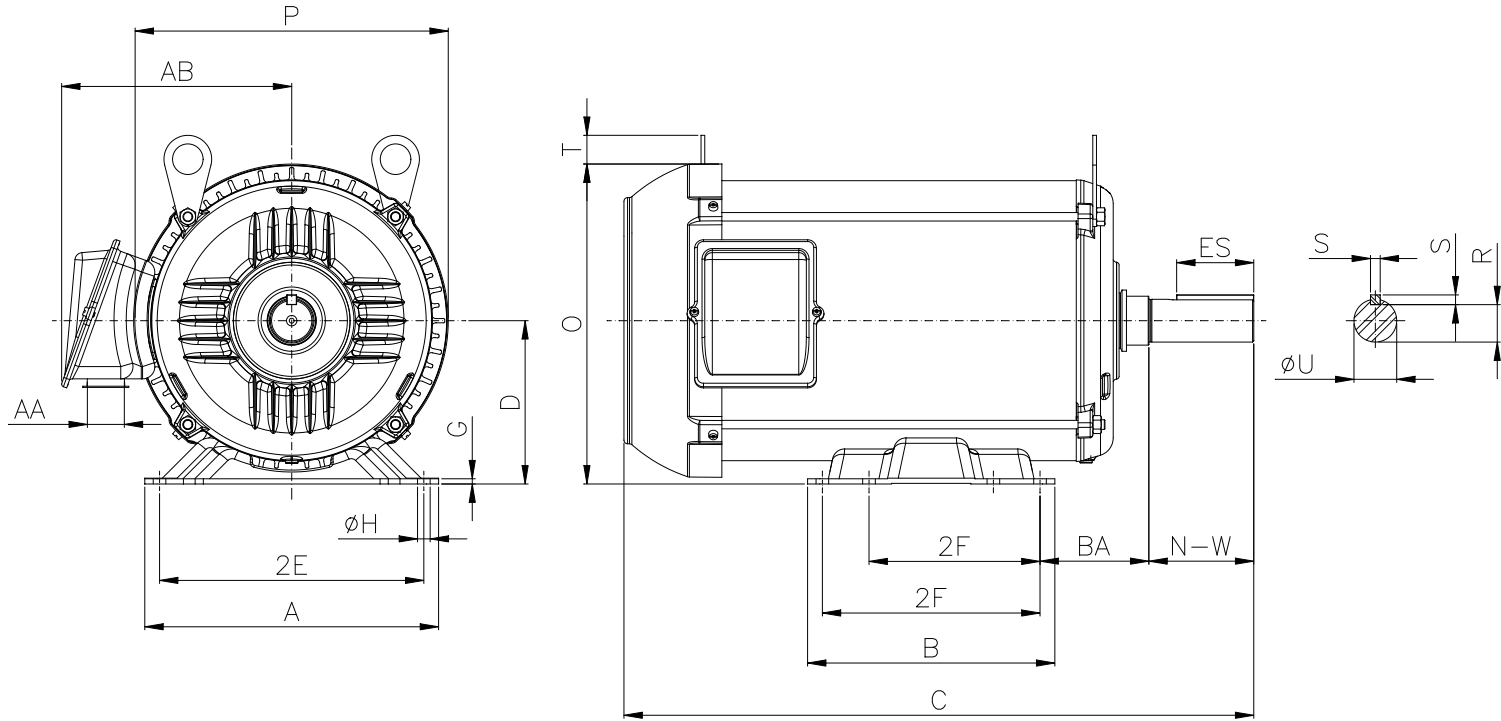
Notes:  
Downloaded from <http://dealerselectric.com>  
Generated for Model #00236ET3ERS145T

Performed by

Checked

1 2 3 4 5 6 7 8

A  
B  
C  
D  
E  
F



Notes: Downloaded from <http://dealerselectric.com>  
Generated for Model #00236ET3ERS145T

Performed by:

Checked:

Customer:

Three-Phase : Rolled Steel Motor - NEMA Premium Efficiency

2E 5.500	A 6.535	P 7.323	AB 5.945	2F 4.016
B 6.496	BA 2.250	U 0.8750	N-W 2.250	ES 1.417
S 0.187	R 0.766	depth 0.187	D 3.500	O 7.165
T 1.063	H 0.343	C 14.095	FC 7.874	d1 A 4
d2 DM6				

Three-phase induction motor  
Frame 143/5T - IP55

12-SEP-2016



1 2 3 4 5 6 7 8

A

### LOW VOLTAGE

### HIGH VOLTAGE

B



C



D

E

F

Notes: Downloaded from <http://dealerselectric.com>  
 Generated for Model #00236ET3ERS145T

Performed by:

Checked:

Customer:

Three-Phase : Rolled Steel Motor - NEMA Premium Efficiency

Three-phase induction motor  
 Frame 143/5T - IP55

12-SEP-2016

