



Dealers Industrial Equipment

No.:

Date: 12-SEP-2016

Customer :

TECHNICAL PROPOSAL

Three-phase induction motor - Squirrel cage rotor

Product line : Close Coupled Pump: Three-Phase - W22 "JM" Type - TEFC - NEMA Premium

Catalog Number : 00236ET3E145JM-W22

List Price : \$683

Notes:

Downloaded from <http://dealerselectric.com>

Generated for Model #00236ET3E145JM-W22

Performed by:

Checked:



# Dealers Industrial Equipment

No.:

Date: 12-SEP-2016

## DATA SHEET Three-phase induction motor - Squirrel cage rotor

Customer :  
 Product line : Close Coupled Pump: Three-Phase - W22 "JM" Type - TEFC - NEMA Premium

Frame : 143/5JM  
 Output : 2 HP  
 Frequency : 60 Hz  
 Poles : 2  
 Full load speed : 3475 rpm  
 Slip : 3.47 %  
 Voltage : 208-230/460 V  
 Rated current : 5.60-5.12/2.56 A  
 Locked rotor current : 45.6/22.8 A  
 Locked rotor current (I<sub>L</sub>/I<sub>n</sub>) : 8.9  
 No-load current : 1.80/0.900 A  
 Full load torque : 2.98 lb.ft  
 Locked rotor torque : 350 %  
 Breakdown torque : 380 %  
 Design : B  
 Insulation class : F  
 Temperature rise : 80 K  
 Locked rotor time : 17 s (hot)  
 Service factor : 1.25  
 Duty cycle : S1  
 Ambient temperature : -20°C - +40°C  
 Altitude : 1000 m  
 Degree of Protection : IP55  
 Approximate weight : 52 lb  
 Moment of inertia : 0.06051 sq.ft.lb  
 Noise level : 68 dB(A)

	D.E.	N.D.E.	Load	Power factor	Efficiency (%)
Bearings	6206 ZZ	6204 ZZ	100%	0.86	85.5
Regreasing interval	---	---	75%	0.80	85.5
Grease amount	---	---	50%	0.71	82.5

Notes:  
 Downloaded from <http://dealerselectric.com>  
 Generated for Model #00236ET3E145JM-W22

Performed by

Checked



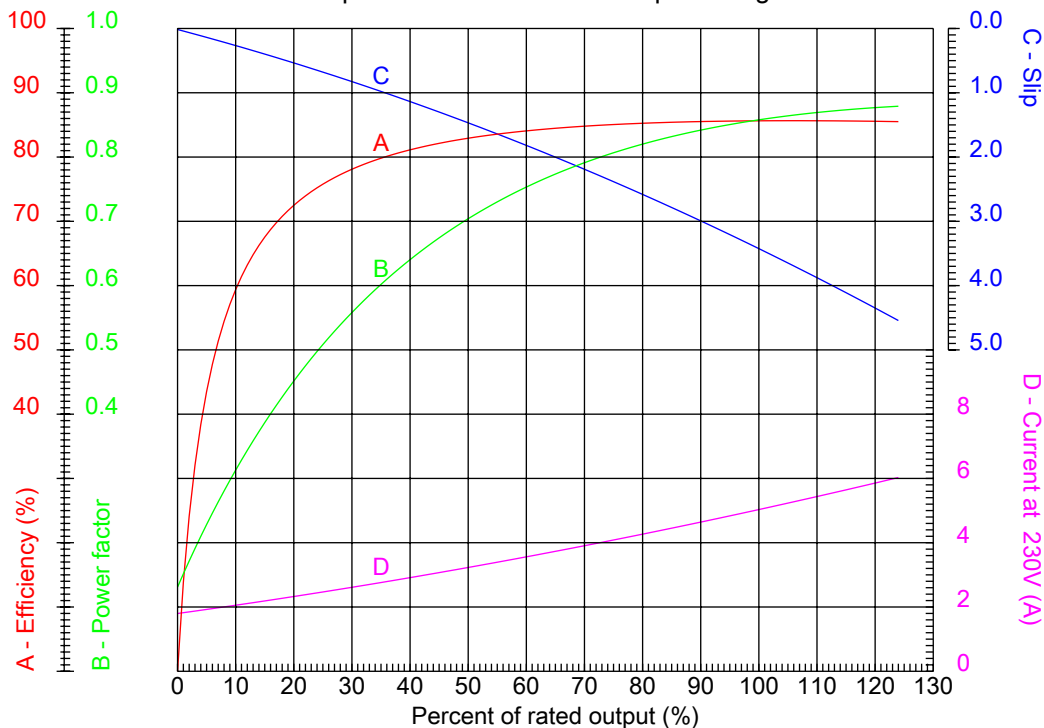
# Dealers Industrial Equipment

No.:

Date: 12-SEP-2016

## PERFORMANCE CURVES RELATED TO RATED OUTPUT

Three-phase induction motor - Squirrel cage rotor



Customer :  
 Product line : Close Coupled Pump: Three-Phase - W22 "JM" Type - TEFC - NEMA Premium

Frame	: 143/5JM	Locked rotor current (I <sub>l</sub> /I <sub>n</sub> )	: 8.9
Output	: 2 HP	Duty cycle	: S1
Frequency	: 60 Hz	Service factor	: 1.25
Full load speed	: 3475 rpm	Design	: B
Voltage	: 208-230/460 V	Locked rotor torque	: 350 %
Rated current	: 5.60-5.12/2.56 A	Breakdown torque	: 380 %
Insulation class	: F		

Notes:  
 Downloaded from <http://dealerselectric.com>  
 Generated for Model #00236ET3E145JM-W22

Performed by

Checked



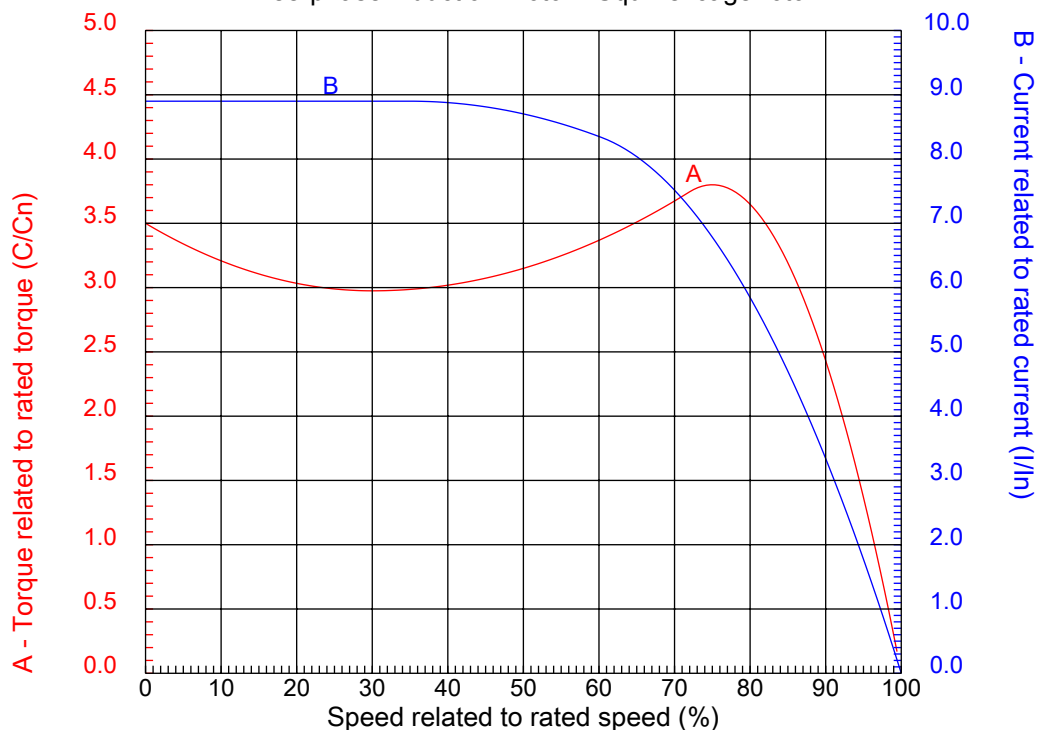
# Dealers Industrial Equipment

No.:

Date: 12-SEP-2016

## CHARACTERISTIC CURVES RELATED TO SPEED

Three-phase induction motor - Squirrel cage rotor



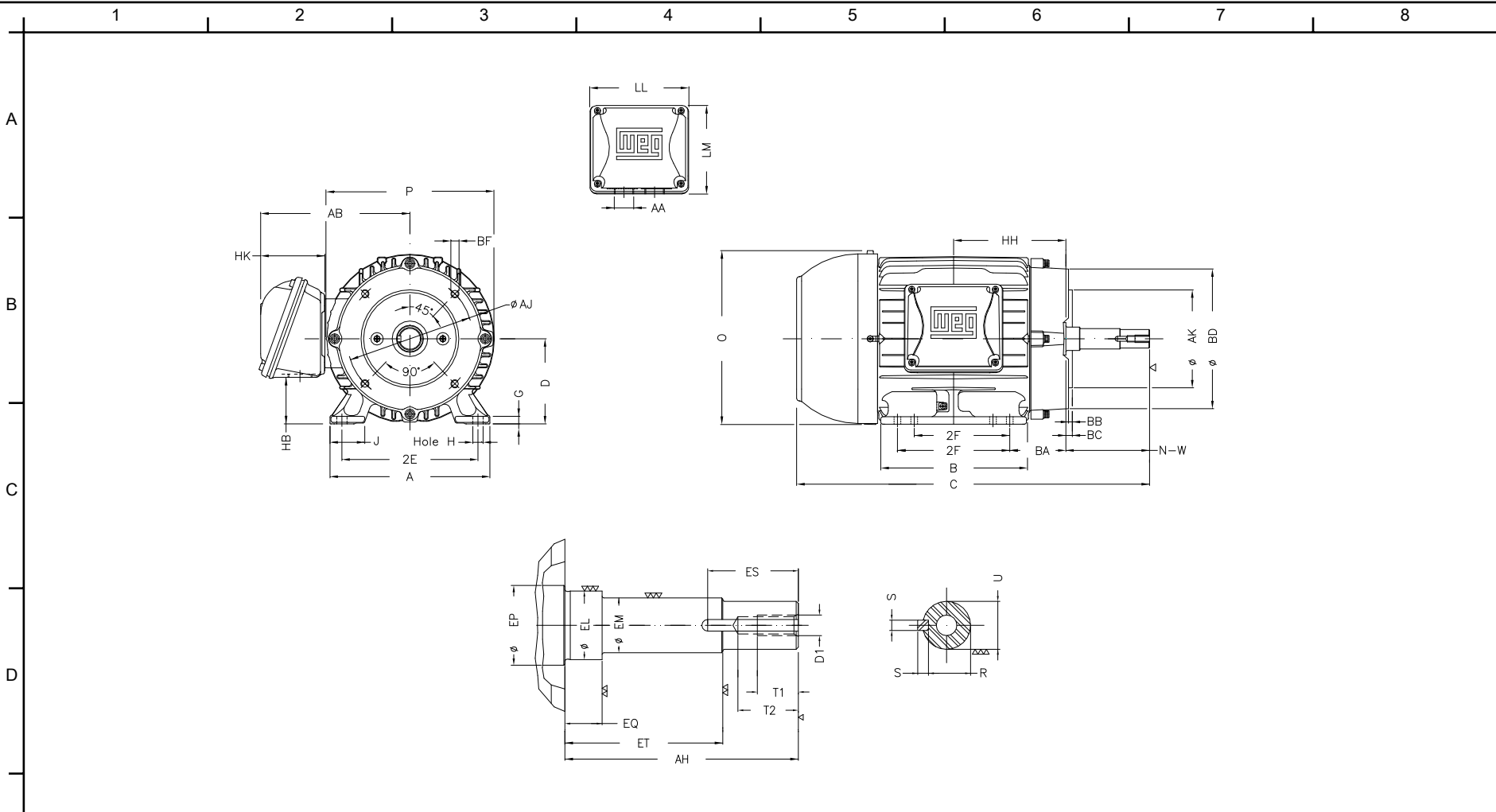
Customer :  
Product line : Close Coupled Pump: Three-Phase - W22 "JM" Type - TEFC - NEMA Premium

Frame	: 143/5JM	Locked rotor current (I <sub>l</sub> /I <sub>n</sub> )	: 8.9
Output	: 2 HP	Duty cycle	: S1
Frequency	: 60 Hz	Service factor	: 1.25
Full load speed	: 3475 rpm	Design	: B
Voltage	: 208-230/460 V	Locked rotor torque	: 350 %
Rated current	: 5.60-5.12/2.56 A	Breakdown torque	: 380 %
Insulation class	: F		

Notes:  
Downloaded from <http://dealerselectric.com>  
Generated for Model #00236ET3E145JM-W22

Performed by

Checked



Notes: Downloaded from <http://dealerselectric.com>  
 Generated for Model #00236ET3E145JM-W22

2E	J	A	P	AB
5.500	1.437	6.457	7.047	6.260
2F	B	BA	D	G
4.000/5.000	6.142	2.560	3.500	0.354
O	H	AA	EQ	ET
7.122	0.344	NPT 3/4"	0.630	2.880
U	EM	EL	EP	ES
0.874	1.000	1.156	1.179	1.654
t1	t2	C	d1	HH
0.748	1.102	15.675	EUNC 3/8"-16	4.750
HK	HB	LL	LM	S
2.638	1.787	4.528	4.094	0.187
R	Flange	AJ	AK	BD
0.767	FC-149	5.874	4.500	6.496
BF	BB	AH		
UNC 3/8"x16	0.157	4.258		

Performed by:

Checked:

Customer:

Close Coupled Pump: Three-Phase - W22 "JM" Type - TEFC - NEMA Premium

Three-phase induction motor  
 Frame 143/5JM - IP55

12-SEP-2016



1 2 3 4 5 6 7 8

A

### LOW VOLTAGE

### HIGH VOLTAGE

B



C



D

E

F

Notes: Downloaded from <http://dealerselectric.com>  
 Generated for Model #00236ET3E145JM-W22

Performed by:

Checked:

Customer:

Close Coupled Pump: Three-Phase - W22 "JM" Type - TEFC - NEMA Premium

Three-phase induction motor  
 Frame 143/5JM - IP55

12-SEP-2016

