



Dealers Industrial Equipment

No.:

Date: 12-SEP-2016

Customer :

TECHNICAL PROPOSAL

Three-phase induction motor - Squirrel cage rotor

Product line : Three-Phase : NEMA 56 Frames - TEFC

Catalog Number : 00236ES3ED56C

List Price : \$437

Notes:

Downloaded from <http://dealerselectric.com>

Generated for Model #00236ES3ED56C

Performed by:

Checked:



Dealers Industrial Equipment

No.:

Date: 12-SEP-2016

DATA SHEET Three-phase induction motor - Squirrel cage rotor

Customer :
Product line : Three-Phase : NEMA 56 Frames - TEFC

Frame : D56
Output : 2 HP
Frequency : 60 Hz
Poles : 2
Full load speed : 3460 rpm
Slip : 3.89 %
Voltage : 208-230/460 V
Rated current : 5.75-5.40/2.70 A
Locked rotor current : 48.6/24.3 A
Locked rotor current (I_L/I_n) : 9.0
No-load current : 2.60/1.30 A
Full load torque : 2.99 lb.ft
Locked rotor torque : 420 %
Breakdown torque : 400 %
Design : A
Insulation class : F
Temperature rise : 80 K
Locked rotor time : 10 s (hot)
Service factor : 1.15 (1.00 at 208V)
Duty cycle : S1
Ambient temperature : -20°C - +40°C
Altitude : 1000 m
Degree of Protection : IP55
Approximate weight : 36 lb
Moment of inertia : 0.06288 sq.ft.lb
Noise level : ---

	D.E.	N.D.E.
Bearings	6204 ZZ	6202 ZZ
Regreasing interval	---	---
Grease amount	---	---

Load	Power factor	Efficiency (%)
100%	0.86	81.5
75%	0.79	80.0
50%	0.67	77.0

Notes:
Downloaded from <http://dealerselectric.com>
Generated for Model #00236ES3ED56C

Performed by

Checked



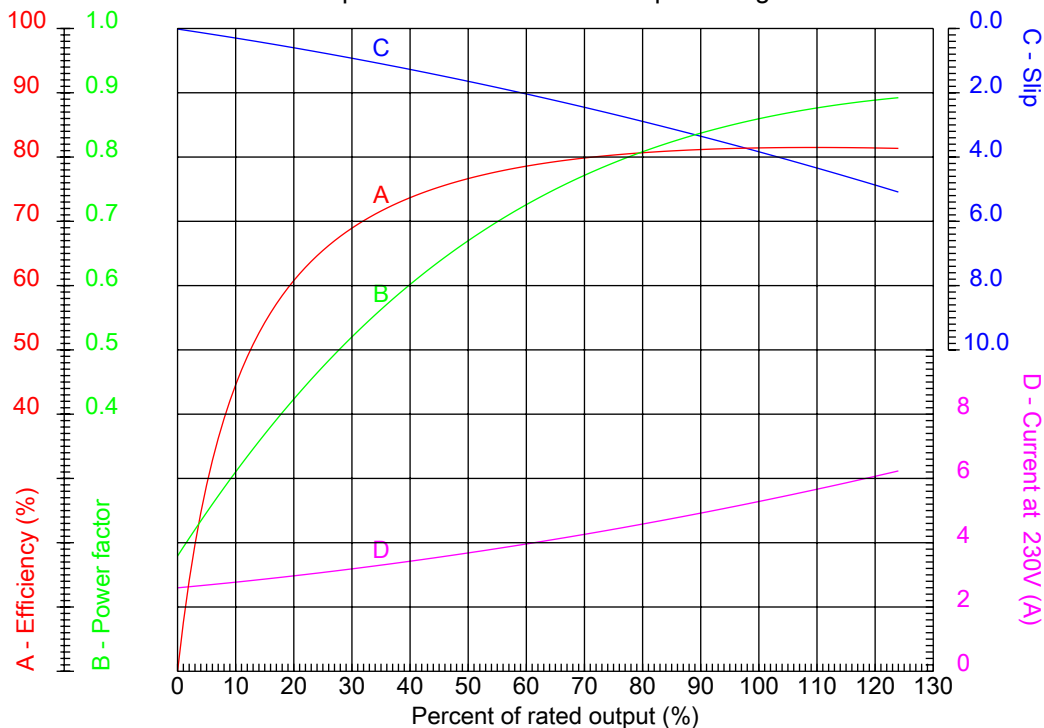
Dealers Industrial Equipment

No.:

Date: 12-SEP-2016

PERFORMANCE CURVES RELATED TO RATED OUTPUT

Three-phase induction motor - Squirrel cage rotor



Customer :
 Product line : Three-Phase : NEMA 56 Frames - TEFC

Frame	: D56	Locked rotor current (I _L /I _n)	: 9.0
Output	: 2 HP	Duty cycle	: S1
Frequency	: 60 Hz	Service factor	: 1.15 (1.00 at 208V)
Full load speed	: 3460 rpm	Design	: A
Voltage	: 208-230/460 V	Locked rotor torque	: 420 %
Rated current	: 5.75-5.40/2.70 A	Breakdown torque	: 400 %
Insulation class	: F		

Notes:
 Downloaded from <http://dealerselectric.com>
 Generated for Model #00236ES3ED56C

Performed by

Checked

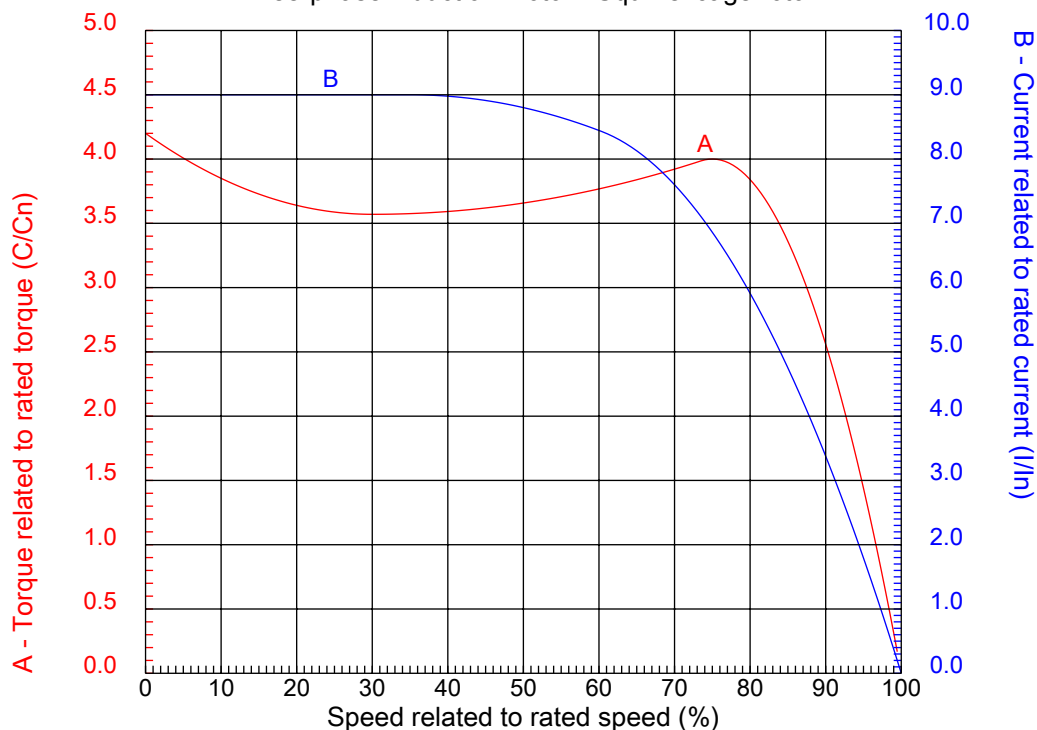


Dealers Industrial Equipment

No.:

Date: 12-SEP-2016

CHARACTERISTIC CURVES RELATED TO SPEED Three-phase induction motor - Squirrel cage rotor



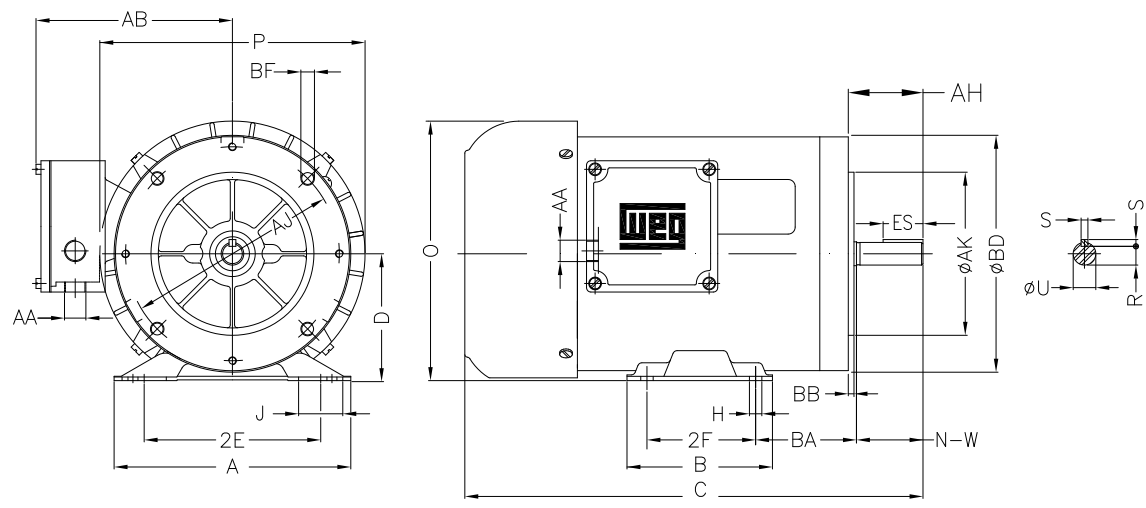
Customer :
Product line : Three-Phase : NEMA 56 Frames - TEFC

Frame	: D56	Locked rotor current (I _l /I _n)	: 9.0
Output	: 2 HP	Duty cycle	: S1
Frequency	: 60 Hz	Service factor	: 1.15 (1.00 at 208V)
Full load speed	: 3460 rpm	Design	: A
Voltage	: 208-230/460 V	Locked rotor torque	: 420 %
Rated current	: 5.75-5.40/2.70 A	Breakdown torque	: 400 %
Insulation class	: F		

Notes:
Downloaded from <http://dealerselectric.com>
Generated for Model #00236ES3ED56C

Performed by

Checked



Notes: Downloaded from <http://dealerselectric.com>
 Generated for Model #00236ES3ED56C

Performed by:

Checked:

Customer:

Three-Phase : NEMA 56 Frames - TEFC

Three-phase induction motor
 Frame D56 - IP55

12-SEP-2016



2E	2F	H	H1	BA
4.874	3.000	0.342	1.220	2.750
A	B	C	D	J
6.535	4.016	12.283	3.500	1.220
O	P	S	ES	R
7.165	7.323	0.187	1.102	0.517
N-W	U	AA	d1	Flange
1.874	0.6250	2xNPT 1/2"	A 3.15	FC-149
AJ	AK	BD	BF	BB
5.874	4.500	6.535	UNC 3/8"x16-2B	0.157
AH				
2.063				

1 2 3 4 5 6 7 8

A

LOW VOLTAGE

HIGH VOLTAGE

B



C

L1 L2 L3

L1 L2 L3



D

E

F

Notes: Downloaded from <http://dealerselectric.com>
 Generated for Model #00236ES3ED56C

Performed by:

Checked:

Customer:

Three-Phase : NEMA 56 Frames - TEFC

Three-phase induction motor
 Frame D56 - IP55

12-SEP-2016

