



Dealers Industrial Equipment

No.:

Date: 12-SEP-2016

Customer :

TECHNICAL PROPOSAL

Single-phase induction motor - Squirrel cage rotor

Product line : Close Coupled Pump : Single-Phase - "JM" Type - TEFC - Standard Efficiency

Catalog Number : 00236ES1E145JM

List Price : \$770

Notes:

Downloaded from <http://dealerselectric.com>

Generated for Model #00236ES1E145JM

Performed by:

Checked:



Dealers Industrial Equipment

No.:

Date: 12-SEP-2016

DATA SHEET Single-phase induction motor - Squirrel cage rotor

Customer :
Product line : Close Coupled Pump : Single-Phase - "JM" Type - TEFC - Standard Efficiency

Frame : 145JM
Output : 2 HP
Frequency : 60 Hz
Poles : 2
Full load speed : 3520 rpm
Slip : 2.22 %
Voltage : 208-230/460 V
Rated current : 10.2-9.80/4.90 A
Locked rotor current : 78.4/39.2 A
Locked rotor current (I_L/I_n) : 8.0
No-load current : 4.90/2.45 A
Full load torque : 2.94 lb.ft
Locked rotor torque : 220 %
Breakdown torque : 230 %
Design : ---
Insulation class : B
Temperature rise : 80 K
Locked rotor time : 6 s (hot)
Service factor : 1.15
Duty cycle : S1
Ambient temperature : -20°C - +40°C
Altitude : 1000 m
Degree of Protection : IP55
Approximate weight : 55 lb
Moment of inertia : 0.05529 sq.ft.lb
Noise level : ---

	D.E.	N.D.E.
Bearings	6206 ZZ	6203 ZZ
Regreasing interval	---	---
Grease amount	---	---

Load	Power factor	Efficiency (%)
100%	0.86	79.0
75%	0.81	76.0
50%	0.71	71.0

Notes:
Downloaded from <http://dealerselectric.com>
Generated for Model #00236ES1E145JM

Performed by

Checked



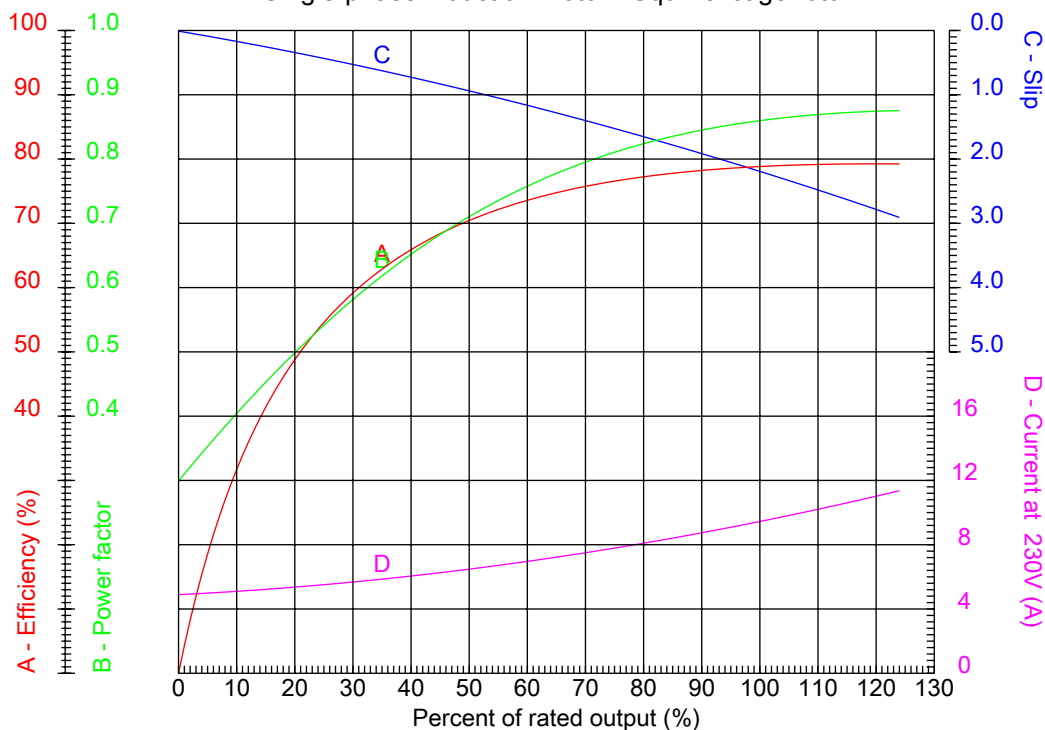
Dealers Industrial Equipment

No.:

Date: 12-SEP-2016

PERFORMANCE CURVES RELATED TO RATED OUTPUT

Single-phase induction motor - Squirrel cage rotor



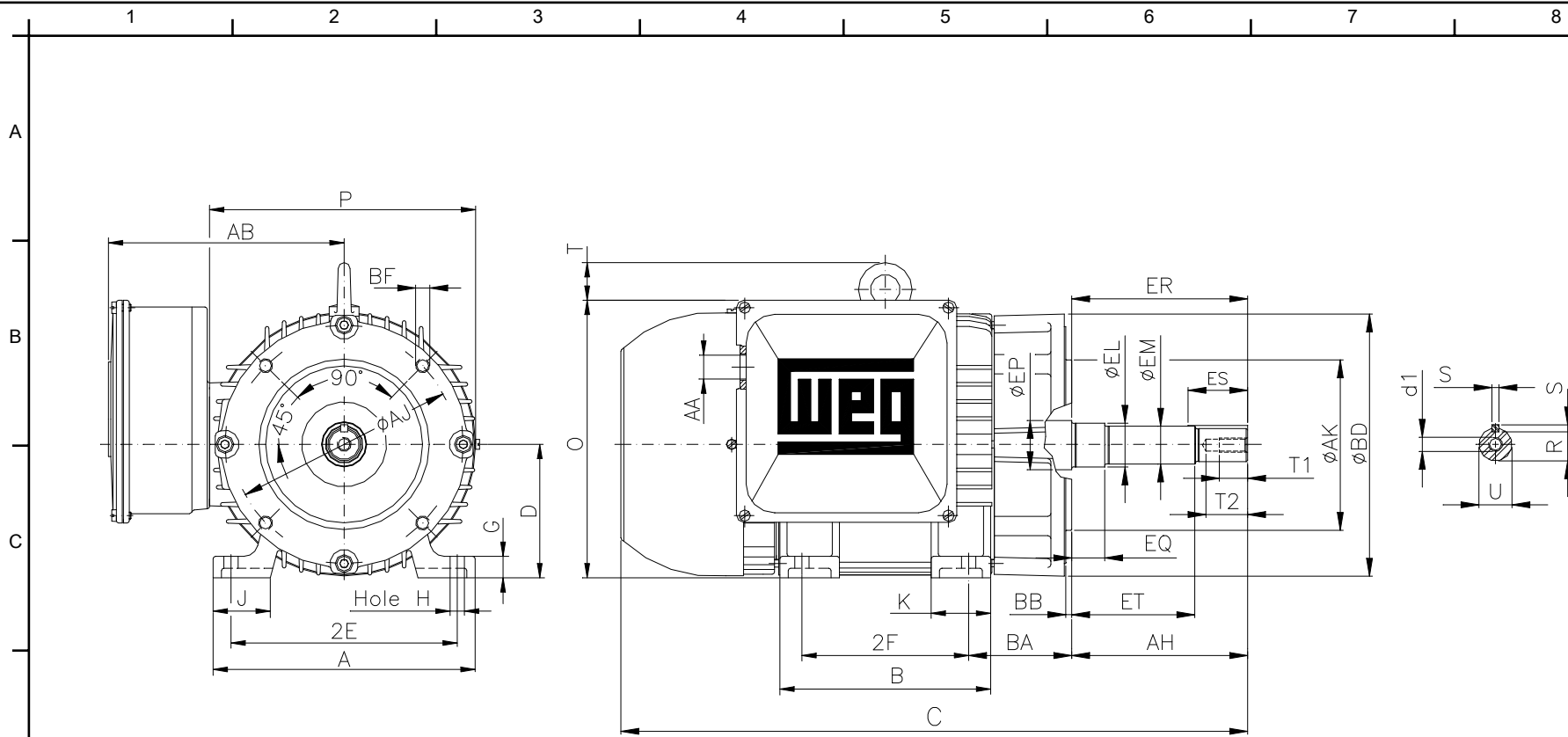
Customer :
 Product line : Close Coupled Pump : Single-Phase - "JM" Type - TEFC - Standard Efficiency

Frame	: 145JM	Locked rotor current (I _l /I _n)	: 8.0
Output	: 2 HP	Duty cycle	: S1
Frequency	: 60 Hz	Service factor	: 1.15
Full load speed	: 3520 rpm	Design	: ---
Voltage	: 208-230/460 V	Locked rotor torque	: 220 %
Rated current	: 10.2-9.80/4.90 A	Breakdown torque	: 230 %
Insulation class	: B		

Notes:
 Downloaded from <http://dealerselectric.com>
 Generated for Model #00236ES1E145JM

Performed by

Checked



Notes: Downloaded from <http://dealerselectric.com>
Generated for Model #00236ES1E145JM

2E 5.500	2F 5.000	H 0.344	BA 2.560	A 6.457
B 6.142	D 3.500	G 0.547	J 1.496	K 1.654
O 7.000	P 7.047	AB 6.968	AA NPT 3/4"	ER 4.258
EQ 0.630	ET 2.880	U 0.874	EM 1.000	EL 1.156
EP 1.179	S 0.187	R 0.767	ES 1.654	d1 EUNC 3/8"-16
t1 0.748	t2 1.102	C 16.458	Flange FC-149	AJ 5.874
AK 4.500	BD 6.496	BF UNC 3/8"x16	BB 0.157	AH 4.258

Performed by:

Checked:

Customer:

Close Coupled Pump : Single-Phase - "JM" Type - TEFC - Standard Efficiency

Single-phase induction motor
Frame 145JM - IP55

12-SEP-2016

