



Dealers Industrial Equipment

No.:

Date: 12-SEP-2016

Customer :

TECHNICAL PROPOSAL

Single-phase induction motor - Squirrel cage rotor

Product line : Single-Phase : NEMA 56 TEFC

Catalog Number : 00236ES1BF56CFL

List Price : \$537

Notes:

Downloaded from <http://dealerselectric.com>

Generated for Model #00236ES1BF56CFL

Performed by:

Checked:



Dealers Industrial Equipment

No.:

Date: 12-SEP-2016

DATA SHEET Single-phase induction motor - Squirrel cage rotor

Customer :
Product line : Single-Phase : NEMA 56 TEFC

Frame : F56H
Output : 2 HP
Frequency : 60 Hz
Poles : 2
Full load speed : 3470 rpm
Slip : 3.61 %
Voltage : 115/208-230 V
Rated current : 20.0/10.6-10.0 A
Locked rotor current : 140/70.0 A
Locked rotor current (I_L/I_n) : 7.0
No-load current : 9.00/4.50 A
Full load torque : 2.99 lb.ft
Locked rotor torque : 250 %
Breakdown torque : 240 %
Design : ---
Insulation class : B
Temperature rise : 80 K
Locked rotor time : 6 s (hot)
Service factor : 1.15 (1.00 at 208V)
Duty cycle : S1
Ambient temperature : -20°C - +40°C
Altitude : 1000 m
Degree of Protection : IP55
Approximate weight : 44 lb
Moment of inertia : 0.07902 sq.ft.lb
Noise level : ---

| | D.E. | N.D.E. |
|---------------------|---------|---------|
| Bearings | 6204 ZZ | 6203 ZZ |
| Regreasing interval | --- | --- |
| Grease amount | --- | --- |

| Load | Power factor | Efficiency (%) |
|------|--------------|----------------|
| 100% | 0.87 | 74.0 |
| 75% | 0.81 | 73.0 |
| 50% | 0.72 | 69.0 |

Notes:
Downloaded from <http://dealerselectric.com>
Generated for Model #00236ES1BF56CFL

Performed by

Checked



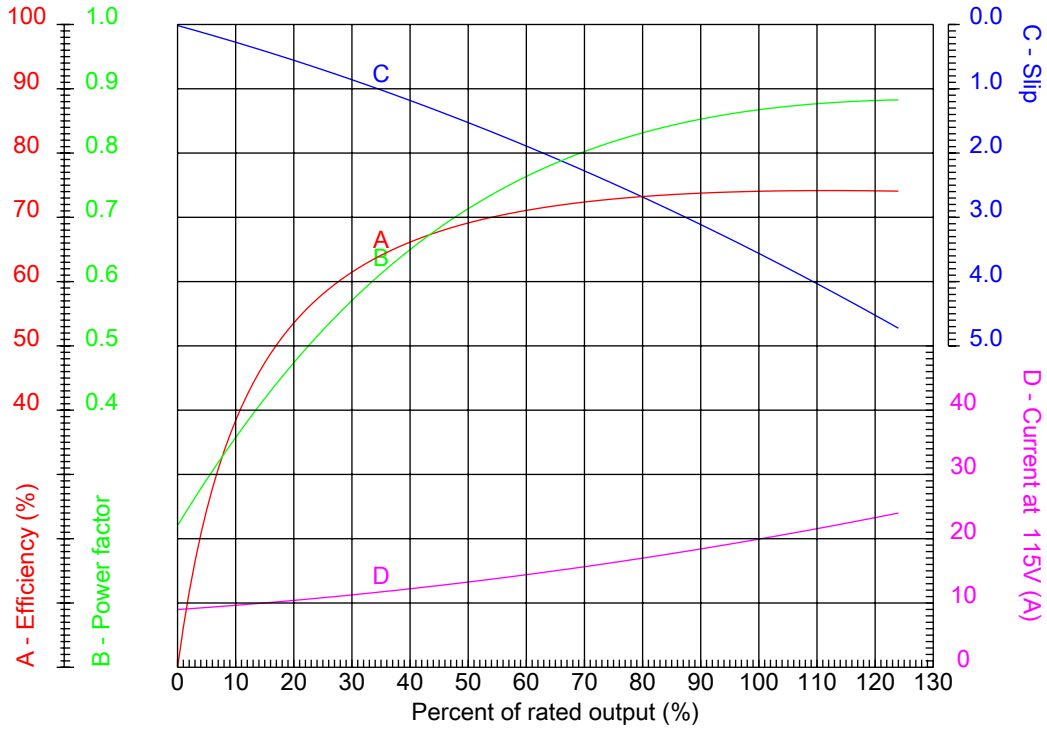
Dealers Industrial Equipment

No.:

Date: 12-SEP-2016

PERFORMANCE CURVES RELATED TO RATED OUTPUT

Single-phase induction motor - Squirrel cage rotor



Customer :
 Product line : Single-Phase : NEMA 56 TEFC

| | | | |
|------------------|--------------------|--|-----------------------|
| Frame | : F56H | Locked rotor current (I _L /I _n) | : 7.0 |
| Output | : 2 HP | Duty cycle | : S1 |
| Frequency | : 60 Hz | Service factor | : 1.15 (1.00 at 208V) |
| Full load speed | : 3470 rpm | Design | : --- |
| Voltage | : 115/208-230 V | Locked rotor torque | : 250 % |
| Rated current | : 20.0/10.6-10.0 A | Breakdown torque | : 240 % |
| Insulation class | : B | | |

Notes:
 Downloaded from <http://dealerselectric.com>
 Generated for Model #00236ES1BF56CFL

Performed by

Checked

1 2 3 4 5 6 7 8

A

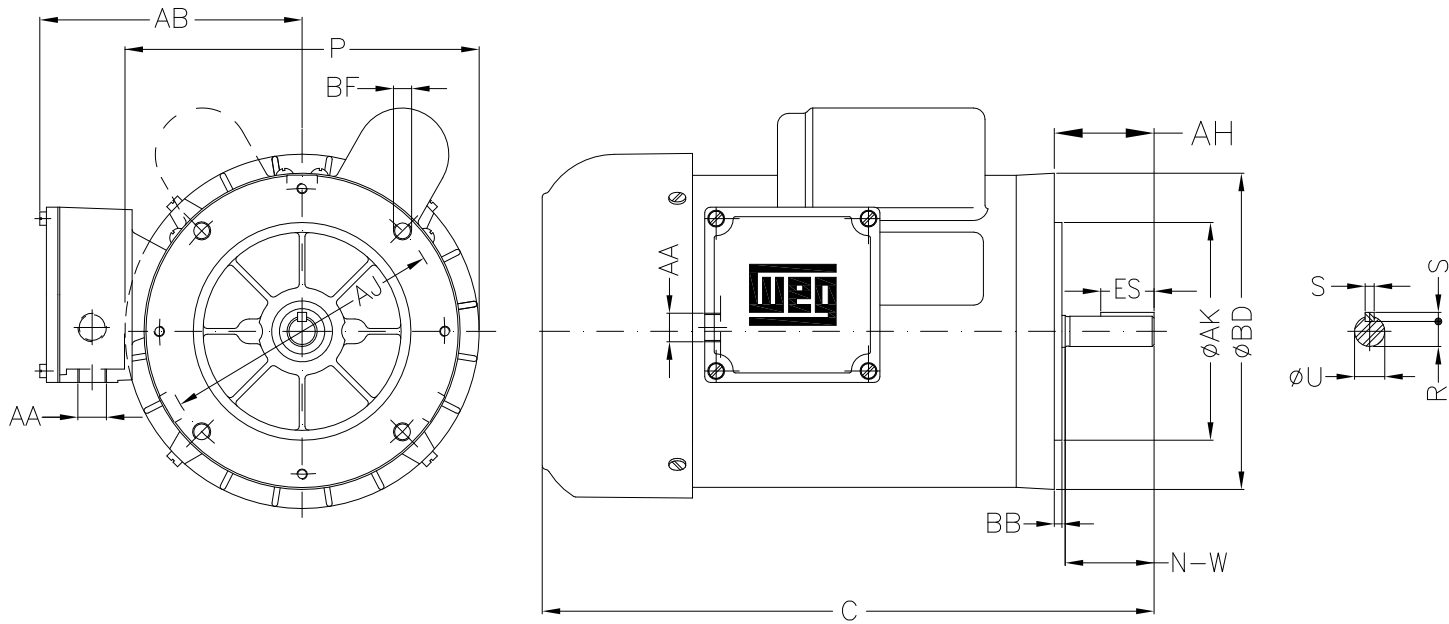
B

C

D

E

F



Notes: Downloaded from <http://dealerselectric.com>
Generated for Model #00236ES1BF56CFL

Performed by:

Checked:

Customer:

Single-Phase : NEMA 56 TEFC

Single-phase induction motor
Frame F56H - IP55

12-SEP-2016



| | | | | |
|--------|-------|--------|--------|----------------|
| P | ES | S | depth | N-W |
| 7.323 | 1.102 | 0.187 | 0.187 | 1.874 |
| U | R | d1 | C | AA |
| 0.6250 | 0.517 | A 3.15 | 13.464 | 2xNPT 1/2" |
| Flange | AJ | AK | BD | BF |
| FC-149 | 5.874 | 4.500 | 6.535 | UNC 3/8"x16-2B |
| BB | AH | | | |
| 0.157 | 2.063 | | | |