



Dealers Industrial Equipment

No.:

Date: 12-SEP-2016

Customer :

TECHNICAL PROPOSAL

Three-phase induction motor - Squirrel cage rotor

Product line : W22 High Efficiency

Catalog Number : 00236EP3ER145TC-W22

List Price : \$518

Notes:

Downloaded from <http://dealerselectric.com>

Generated for Model #00236EP3ER145TC-W22

Performed by:

Checked:



Dealers Industrial Equipment

No.:

Date: 12-SEP-2016

DATA SHEET Three-phase induction motor - Squirrel cage rotor

Customer :
Product line : W22 High Efficiency

Frame : 145T
Output : 2 HP
Frequency : 60 Hz
Poles : 2
Full load speed : 3450 rpm
Slip : 4.17 %
Voltage : 230/460 V
Rated current : 5.28/2.64 A
Locked rotor current : 39.1/19.5 A
Locked rotor current (I_L/I_n) : 7.4
No-load current : 2.40/1.20 A
Full load torque : 3.00 lb.ft
Locked rotor torque : 250 %
Breakdown torque : 300 %
Design : B
Insulation class : F
Temperature rise : 80 K
Locked rotor time : 16 s (hot)
Service factor : 1.25
Duty cycle : S1
Ambient temperature : -20°C - +40°C
Altitude : 1000 m
Degree of Protection : IP55
Approximate weight : 42 lb
Moment of inertia : 0.04271 sq.ft.lb
Noise level : 68 dB(A)

	D.E.	N.D.E.
Bearings	6205 ZZ	6204 ZZ
Regreasing interval	---	---
Grease amount	---	---

Load	Power factor	Efficiency (%)
100%	0.85	84.0
75%	0.80	84.0
50%	0.69	81.5

Notes:
Downloaded from <http://dealerselectric.com>
Generated for Model #00236EP3ER145TC-W22

Performed by

Checked



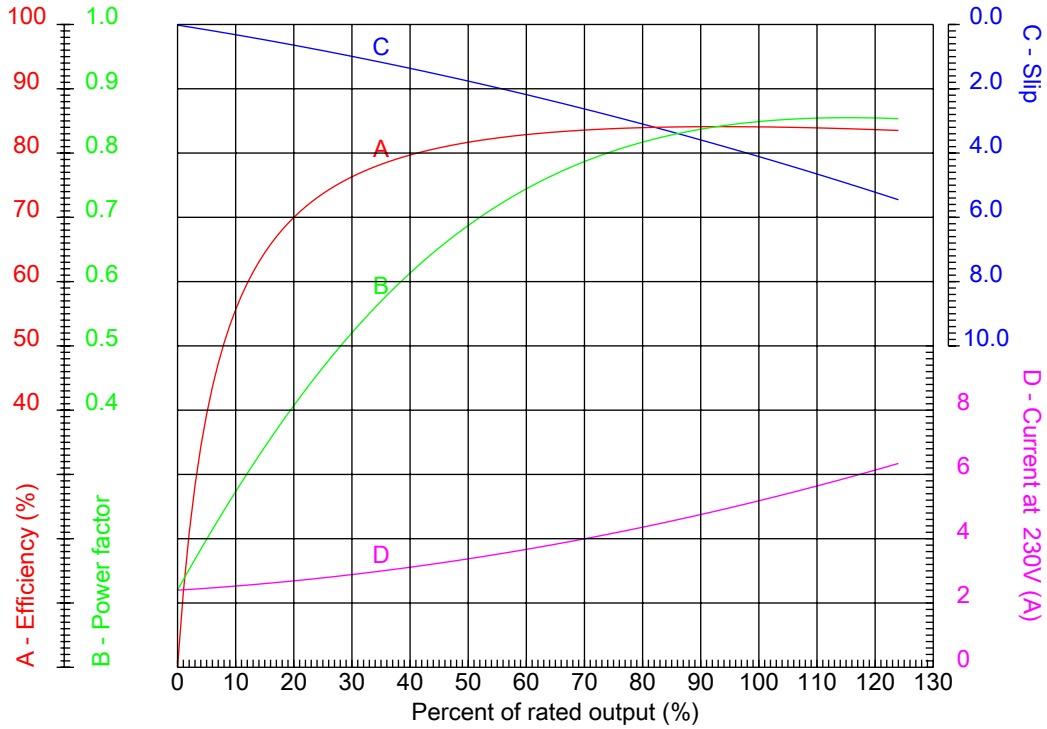
Dealers Industrial Equipment

No.:

Date: 12-SEP-2016

PERFORMANCE CURVES RELATED TO RATED OUTPUT

Three-phase induction motor - Squirrel cage rotor



Customer :
Product line : W22 High Efficiency

Frame	: 145T	Locked rotor current (I _l /I _n)	: 7.4
Output	: 2 HP	Duty cycle	: S1
Frequency	: 60 Hz	Service factor	: 1.25
Full load speed	: 3450 rpm	Design	: B
Voltage	: 230/460 V	Locked rotor torque	: 250 %
Rated current	: 5.28/2.64 A	Breakdown torque	: 300 %
Insulation class	: F		

Notes:
Downloaded from <http://dealerselectric.com>
Generated for Model #00236EP3ER145TC-W22

Performed by

Checked



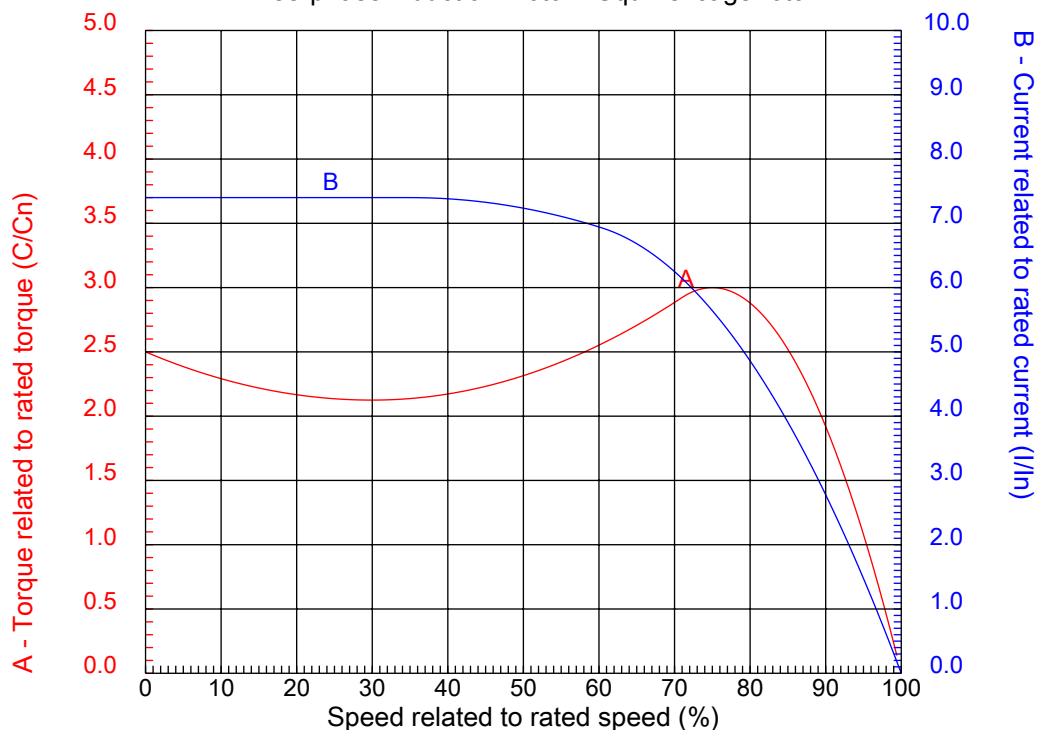
Dealers Industrial Equipment

No.:

Date: 12-SEP-2016

CHARACTERISTIC CURVES RELATED TO SPEED

Three-phase induction motor - Squirrel cage rotor



Customer :
Product line : W22 High Efficiency

Frame	: 145T	Locked rotor current (I _l /I _n)	: 7.4
Output	: 2 HP	Duty cycle	: S1
Frequency	: 60 Hz	Service factor	: 1.25
Full load speed	: 3450 rpm	Design	: B
Voltage	: 230/460 V	Locked rotor torque	: 250 %
Rated current	: 5.28/2.64 A	Breakdown torque	: 300 %
Insulation class	: F		

Notes:
Downloaded from <http://dealerselectric.com>
Generated for Model #00236EP3ER145TC-W22

Performed by

Checked

1 2 3 4 5 6 7 8

A

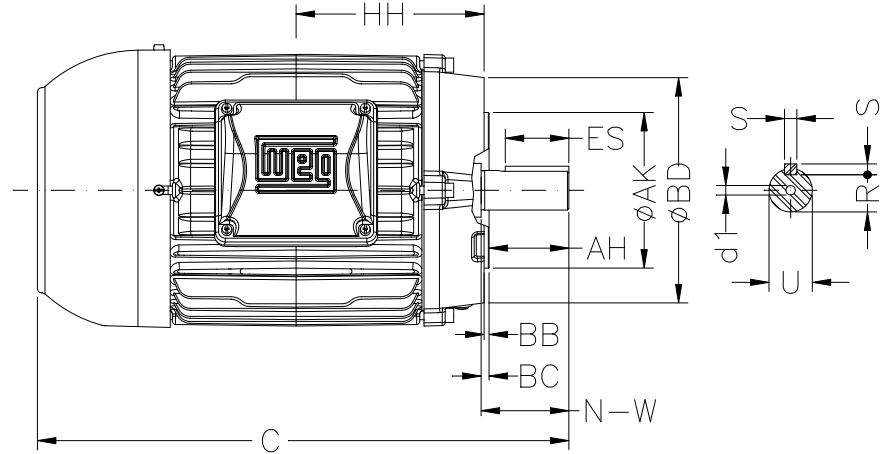
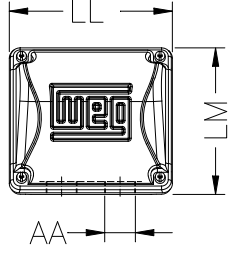
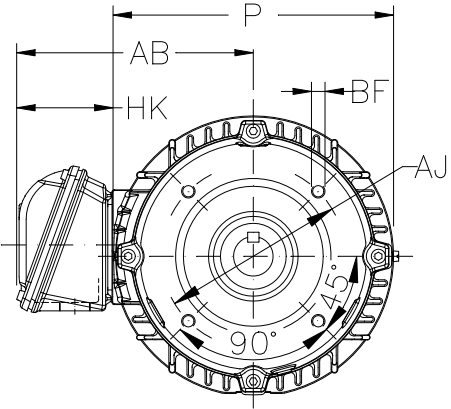
B

C

D

E

F



Notes: Downloaded from <http://dealerselectric.com>
Generated for Model #00236EP3ER145TC-W22

Performed by:

Checked:

Customer:

W22 High Efficiency

Three-phase induction motor
Frame 145T - IP55

12-SEP-2016



P 7.244	AB 6.260	U 0.875	N-W 2.250	ES 1.575
S 0.187	R 0.771	depth 0.187	HH 4.750	HK 2.638
C 13.346	FC 15.202	LL 4.528	LM 4.094	AA NPT 3/4"
d1 A 3.15	Flange FC-149	AJ 5.875	AK 4.500	BD 6.500
BF UNC 3/8"x16	BB 0.157	BC 0.125	AH 2.125	

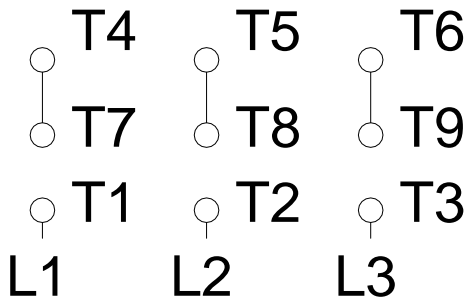
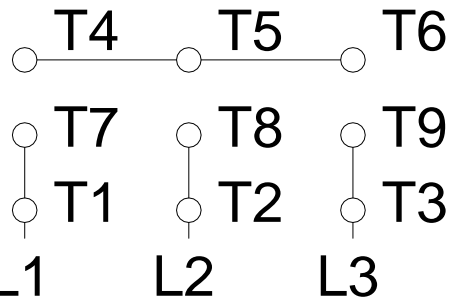
1 2 3 4 5 6 7 8

A

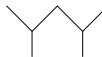
LOW VOLTAGE

HIGH VOLTAGE

B



C



D

E

F

Notes: Downloaded from http://dealerselectric.com Generated for Model #00236EP3ER145TC-W22		
Performed by:		
Checked:		
Customer:		
W22 High Efficiency		
Three-phase induction motor Frame 145T - IP55	12-SEP-2016	