



Dealers Industrial Equipment

No.:

Date: 12-SEP-2016

Customer :

TECHNICAL PROPOSAL

Three-phase induction motor - Squirrel cage rotor

Product line : Close Coupled Pump: Three-Phase - W22 "JM" Type - TEFC - High Efficiency

Catalog Number : 00236EP3E145JM-W22

List Price : \$>(discontinued)

Notes:

Downloaded from <http://dealerselectric.com>

Generated for Model #00236EP3E145JM-W22

Performed by:

Checked:



Dealers Industrial Equipment

No.:

Date: 12-SEP-2016

DATA SHEET Three-phase induction motor - Squirrel cage rotor

Customer :
 Product line : Close Coupled Pump: Three-Phase - W22 "JM" Type - TEFC - High Efficiency

Frame : 143/5JM
 Output : 2 HP
 Frequency : 60 Hz
 Poles : 2
 Full load speed : 3450 rpm
 Slip : 4.17 %
 Voltage : 208-230/460 V
 Rated current : 5.82-5.28/2.64 A
 Locked rotor current : 39.1/19.5 A
 Locked rotor current (I_L/I_n) : 7.4
 No-load current : 2.40/1.20 A
 Full load torque : 3.00 lb.ft
 Locked rotor torque : 250 %
 Breakdown torque : 300 %
 Design : B
 Insulation class : F
 Temperature rise : 80 K
 Locked rotor time : 16 s (hot)
 Service factor : 1.25
 Duty cycle : S1
 Ambient temperature : -20°C - +40°C
 Altitude : 1000 m
 Degree of Protection : IP55
 Approximate weight : 42 lb
 Moment of inertia : 0.04271 sq.ft.lb
 Noise level : 68 dB(A)

	D.E.	N.D.E.
Bearings	6206 ZZ	6204 ZZ
Regreasing interval	---	---
Grease amount	---	---

Load	Power factor	Efficiency (%)
100%	0.85	84.0
75%	0.80	84.0
50%	0.69	81.5

Notes:
 Downloaded from <http://dealerselectric.com>
 Generated for Model #00236EP3E145JM-W22

Performed by

Checked



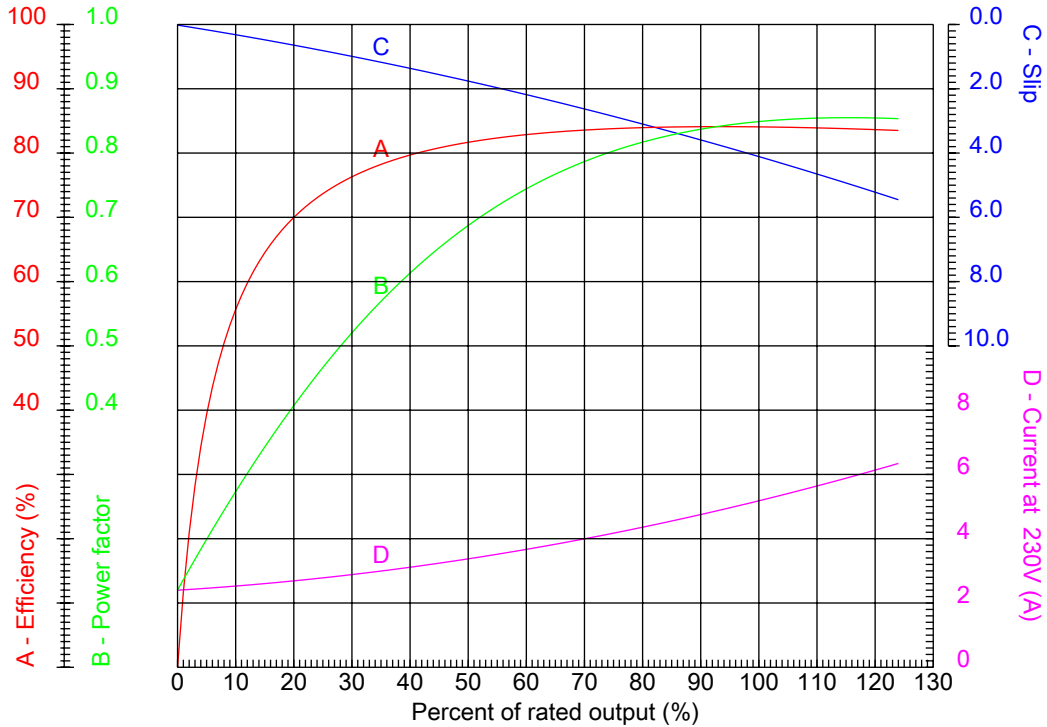
Dealers Industrial Equipment

No.:

Date: 12-SEP-2016

PERFORMANCE CURVES RELATED TO RATED OUTPUT

Three-phase induction motor - Squirrel cage rotor



Customer :
 Product line : Close Coupled Pump: Three-Phase - W22 "JM" Type - TEFC - High Efficiency

Frame	: 143/5JM	Locked rotor current (I _l /I _n)	: 7.4
Output	: 2 HP	Duty cycle	: S1
Frequency	: 60 Hz	Service factor	: 1.25
Full load speed	: 3450 rpm	Design	: B
Voltage	: 208-230/460 V	Locked rotor torque	: 250 %
Rated current	: 5.82-5.28/2.64 A	Breakdown torque	: 300 %
Insulation class	: F		

Notes:
 Downloaded from <http://dealerselectric.com>
 Generated for Model #00236EP3E145JM-W22

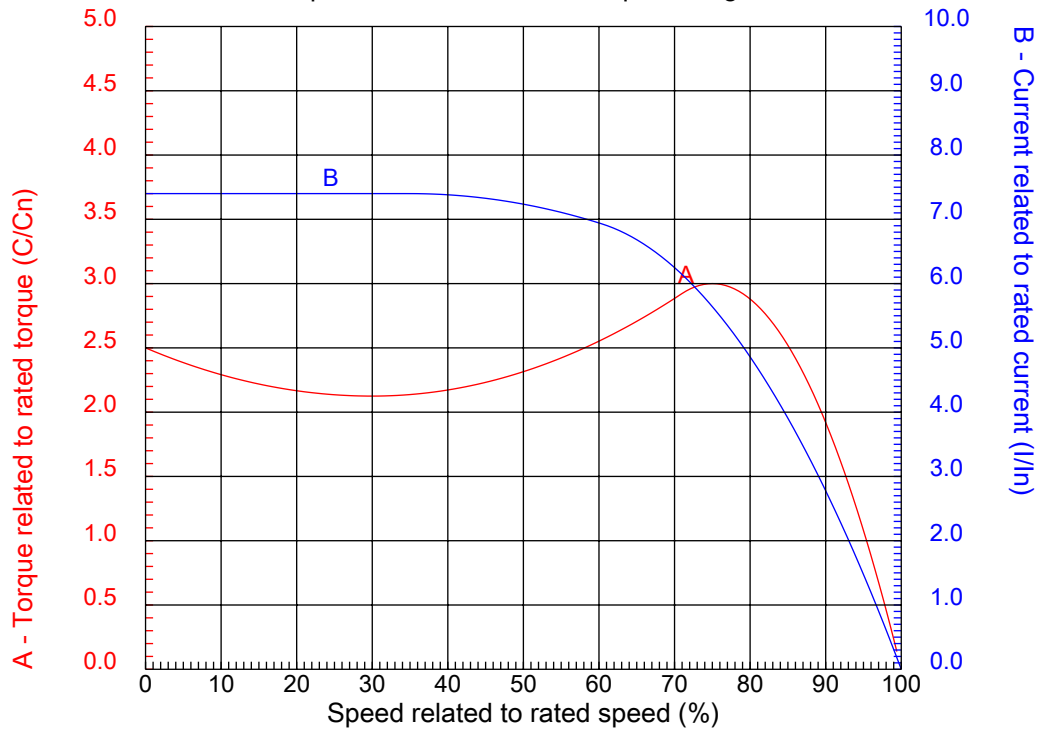
Performed by

Checked



CHARACTERISTIC CURVES RELATED TO SPEED

Three-phase induction motor - Squirrel cage rotor



Customer :
Product line : Close Coupled Pump: Three-Phase - W22 "JM" Type - TEFC - High Efficiency

Frame	: 143/5JM	Locked rotor current (I _l /I _n)	: 7.4
Output	: 2 HP	Duty cycle	: S1
Frequency	: 60 Hz	Service factor	: 1.25
Full load speed	: 3450 rpm	Design	: B
Voltage	: 208-230/460 V	Locked rotor torque	: 250 %
Rated current	: 5.82-5.28/2.64 A	Breakdown torque	: 300 %
Insulation class	: F		

Notes:
Downloaded from <http://dealerselectric.com>
Generated for Model #00236EP3E145JM-W22

Performed by

Checked

1 2 3 4 5 6 7 8

A

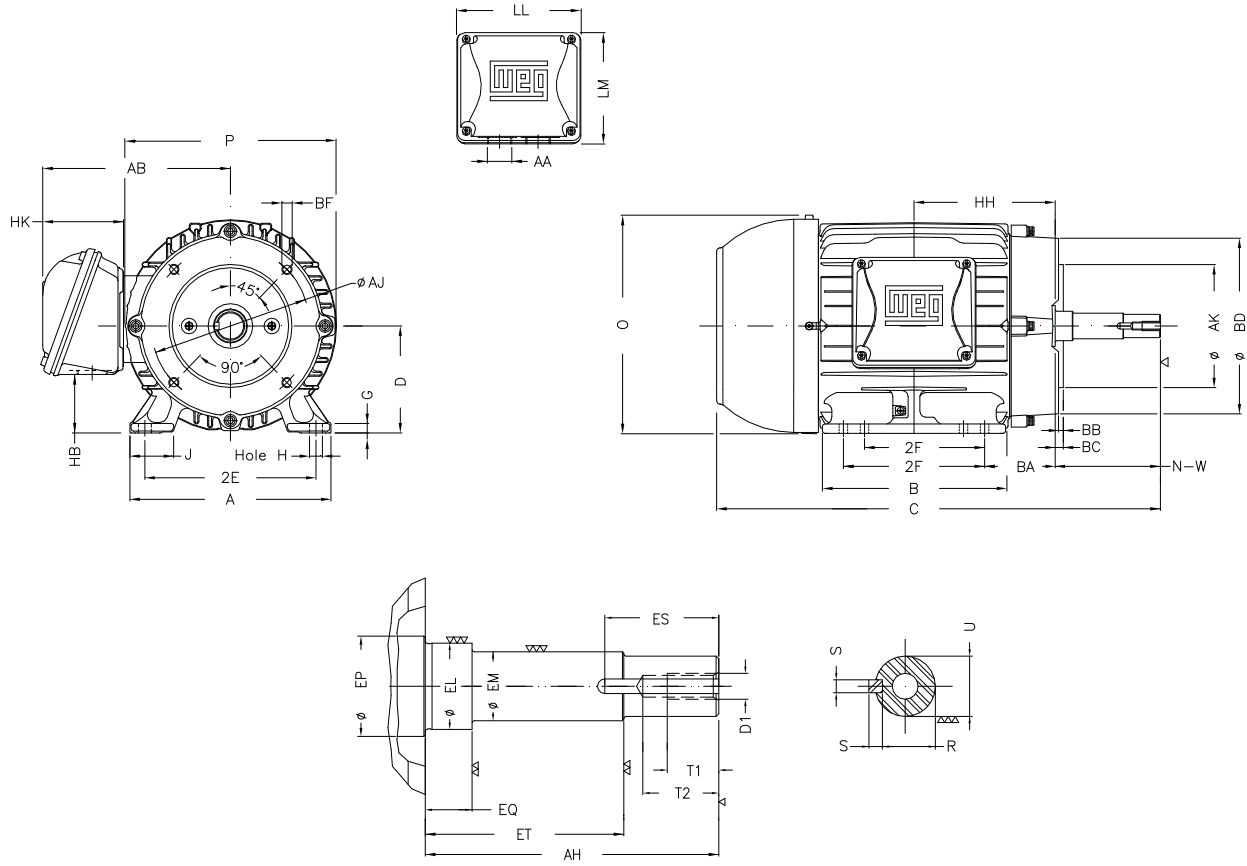
B

C

D

E

F



Notes: Downloaded from <http://dealerselectric.com>
Generated for Model #00236EP3E145JM-W22

2E	J	A	P	AB
5.500	1.437	6.457	7.047	6.260
2F	B	BA	D	G
4.000/5.000	6.142	2.560	3.500	0.354
O	H	AA	EQ	ET
7.122	0.344	NPT 3/4"	0.630	2.880
U	EM	EL	EP	ES
0.874	1.000	1.156	1.179	1.654
t1	t2	C	d1	HH
0.748	1.102	15.675	EUNC 3/8"-16	4.750
HK	HB	LL	LM	S
2.638	1.787	4.528	4.094	0.187
R	Flange	AJ	AK	BD
0.767	FC-149	5.874	4.500	6.496
BF	BB	AH		
UNC 3/8"x16	0.157	4.258		

Performed by:

Checked:

Customer:

Close Coupled Pump: Three-Phase - W22 "JM" Type - TEFC - High Efficiency

Three-phase induction motor
Frame 143/5JM - IP55

12-SEP-2016



1 2 3 4 5 6 7 8

A

LOW VOLTAGE

HIGH VOLTAGE

B



C



D

E

F

Notes: Downloaded from <http://dealerselectric.com>
 Generated for Model #00236EP3E145JM-W22

Performed by:

Checked:

Customer:

Close Coupled Pump: Three-Phase - W22 "JM" Type - TEFC - High Efficiency

Three-phase induction motor
 Frame 143/5JM - IP55

12-SEP-2016

