



Dealers Industrial Equipment

No.:

Date: 12-SEP-2016

Customer :

TECHNICAL PROPOSAL

Three-phase induction motor - Squirrel cage rotor

Product line : Three-Phase : Explosion Proof - NEMA Premium

Catalog Number : 00218XT3ER145TC

List Price : \$1,168

Notes:

Downloaded from <http://dealerselectric.com>

Generated for Model #00218XT3ER145TC

Performed by:

Checked:



Dealers Industrial Equipment

No.:

Date: 12-SEP-2016

DATA SHEET Three-phase induction motor - Squirrel cage rotor

Customer :
Product line : Three-Phase : Explosion Proof - NEMA Premium

Frame : 145T
Output : 2 HP
Frequency : 60 Hz
Poles : 4
Full load speed : 1750 rpm
Slip : 2.78 %
Voltage : 208-230/460 V
Rated current : 6.02-5.44/2.72 A
Locked rotor current : 43.0/21.5 A
Locked rotor current (I_L/I_n) : 7.9
No-load current : 3.00/1.50 A
Full load torque : 5.92 lb.ft
Locked rotor torque : 250 %
Breakdown torque : 320 %
Design : B
Insulation class : F
Temperature rise : 80 K
Locked rotor time : 11 s (hot)
Service factor : 1.15
Duty cycle : S1
Ambient temperature : -20°C - +40°C
Altitude : 1000 m
Degree of Protection : IP55
Approximate weight : 73 lb
Moment of inertia : 0.15947 sq.ft.lb
Noise level : 51 dB(A)

	D.E.	N.D.E.
Bearings	6205 2RS	6204 2RS
Regreasing interval	---	---
Grease amount	---	---

Load	Power factor	Efficiency (%)
100%	0.80	86.5
75%	0.73	85.5
50%	0.60	84.0

Notes:
Downloaded from <http://dealerselectric.com>
Generated for Model #00218XT3ER145TC

Performed by

Checked



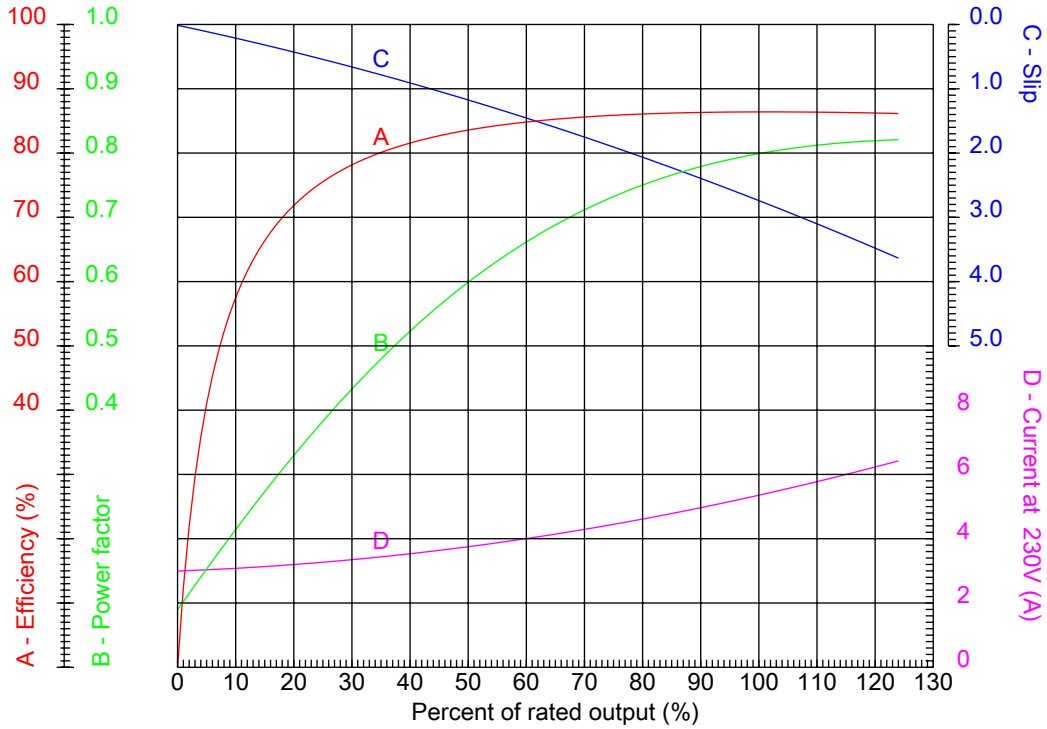
Dealers Industrial Equipment

No.:

Date: 12-SEP-2016

PERFORMANCE CURVES RELATED TO RATED OUTPUT

Three-phase induction motor - Squirrel cage rotor



Customer :
 Product line : Three-Phase : Explosion Proof - NEMA Premium

Frame	: 145T	Locked rotor current (I _L /I _n)	: 7.9
Output	: 2 HP	Duty cycle	: S1
Frequency	: 60 Hz	Service factor	: 1.15
Full load speed	: 1750 rpm	Design	: B
Voltage	: 208-230/460 V	Locked rotor torque	: 250 %
Rated current	: 6.02-5.44/2.72 A	Breakdown torque	: 320 %
Insulation class	: F		

Notes:
 Downloaded from <http://dealerselectric.com>
 Generated for Model #00218XT3ER145TC

Performed by

Checked



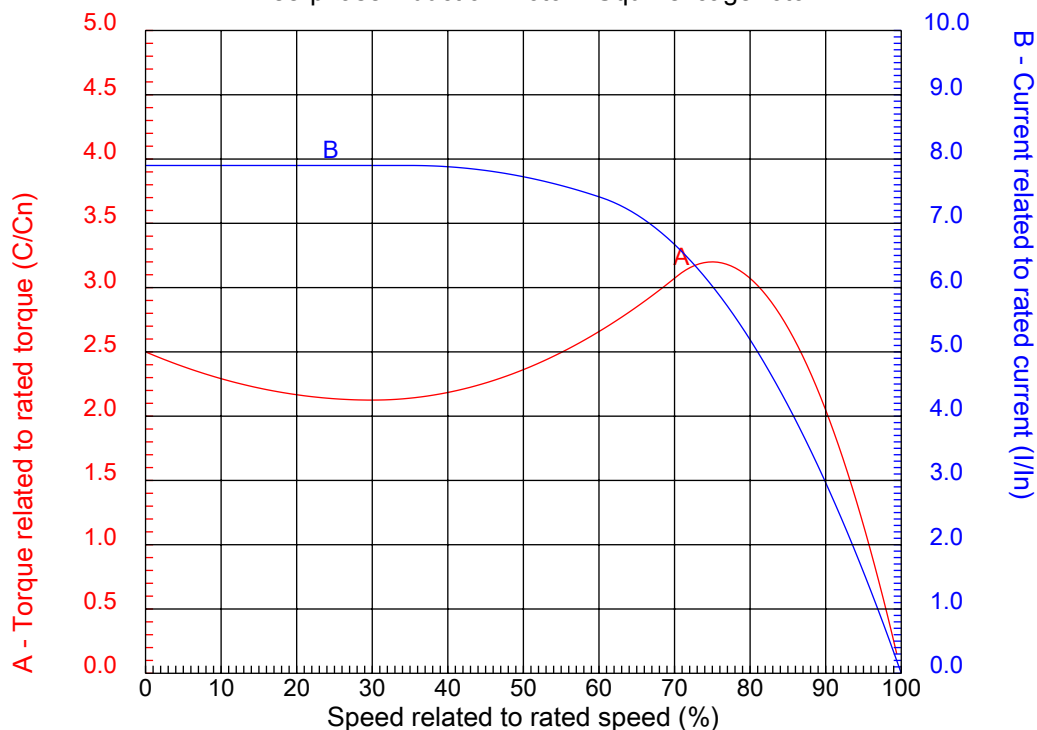
Dealers Industrial Equipment

No.:

Date: 12-SEP-2016

CHARACTERISTIC CURVES RELATED TO SPEED

Three-phase induction motor - Squirrel cage rotor



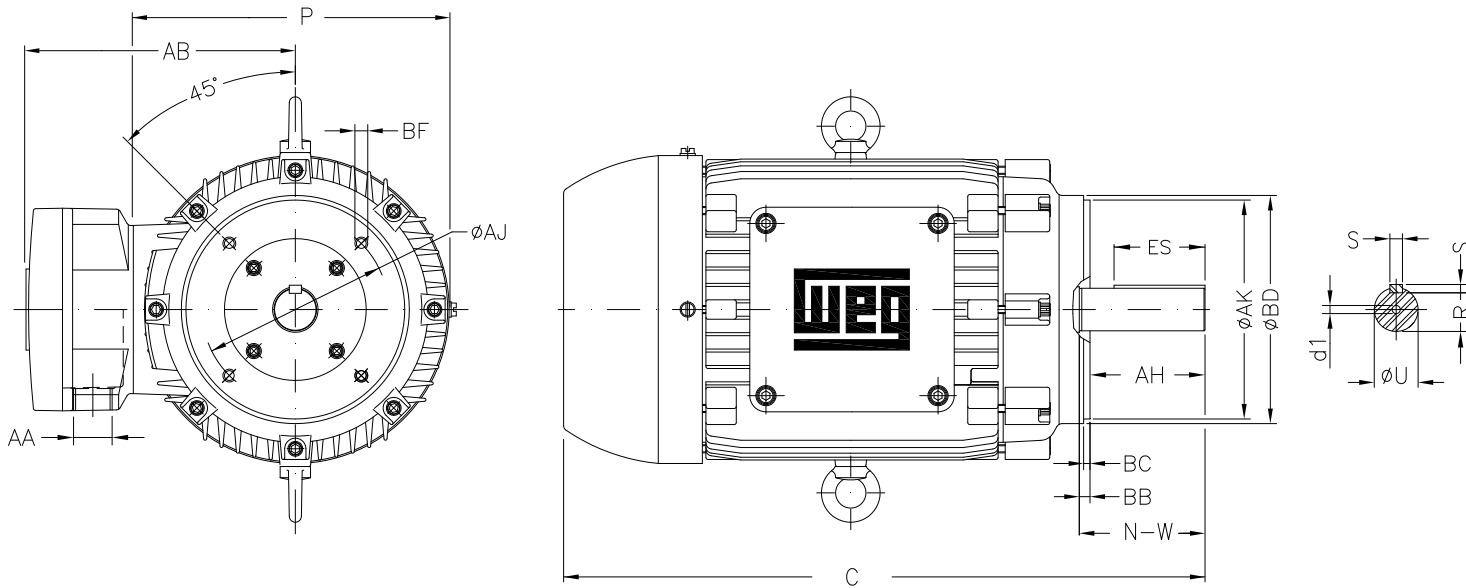
Customer :
Product line : Three-Phase : Explosion Proof - NEMA Premium

Frame	: 145T	Locked rotor current (I _l /I _n)	: 7.9
Output	: 2 HP	Duty cycle	: S1
Frequency	: 60 Hz	Service factor	: 1.15
Full load speed	: 1750 rpm	Design	: B
Voltage	: 208-230/460 V	Locked rotor torque	: 250 %
Rated current	: 6.02-5.44/2.72 A	Breakdown torque	: 320 %
Insulation class	: F		

Notes:
Downloaded from <http://dealerselectric.com>
Generated for Model #00218XT3ER145TC

Performed by

Checked



Notes: Downloaded from <http://dealerselectric.com>
 Generated for Model #00218XT3ER145TC

Performed by:

Checked:

Customer:

Three-Phase : Explosion Proof - NEMA Premium

P	ES	S	depth	N-W
7.000	1.575	0.187	0.187	2.250
U	R	AB	C	AA
0.875	0.771	6.811	13.752	NPT 3/4"
d1	d2	Flange	AJ	AK
A 4	A 4	FC-149	5.875	4.500
BD	BF	BB	BC	AH
6.500	UNC 3/8"x16	0.156	0.125	2.125

Three-phase induction motor
 Frame 145T - IP55

12-SEP-2016



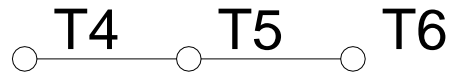
1 2 3 4 5 6 7 8

A

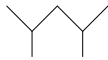
LOW VOLTAGE

HIGH VOLTAGE

B



C



D

E

F

Notes: Downloaded from <http://dealerselectric.com>
 Generated for Model #00218XT3ER145TC

Performed by:

Checked:

Customer:

Three-Phase : Explosion Proof - NEMA Premium

Three-phase induction motor
 Frame 145T - IP55

12-SEP-2016

