



Dealers Industrial Equipment

No.:

Date: 12-SEP-2016

Customer :

TECHNICAL PROPOSAL

Three-phase induction motor - Squirrel cage rotor

Product line : Three-Phase : Explosion Proof - NEMA Premium

Catalog Number : 00218XT3E145TC

List Price : \$1,148

Notes:

Downloaded from <http://dealerselectric.com>

Generated for Model #00218XT3E145TC

Performed by:

Checked:



Dealers Industrial Equipment

No.:

Date: 12-SEP-2016

DATA SHEET Three-phase induction motor - Squirrel cage rotor

Customer :
 Product line : Three-Phase : Explosion Proof - NEMA Premium

Frame : 145T
 Output : 2 HP
 Frequency : 60 Hz
 Poles : 4
 Full load speed : 1750 rpm
 Slip : 2.78 %
 Voltage : 208-230/460 V
 Rated current : 6.02-5.44/2.72 A
 Locked rotor current : 43.0/21.5 A
 Locked rotor current (I_L/I_n) : 7.9
 No-load current : 3.00/1.50 A
 Full load torque : 5.92 lb.ft
 Locked rotor torque : 250 %
 Breakdown torque : 320 %
 Design : B
 Insulation class : F
 Temperature rise : 80 K
 Locked rotor time : 11 s (hot)
 Service factor : 1.15
 Duty cycle : S1
 Ambient temperature : -20°C - +40°C
 Altitude : 1000 m
 Degree of Protection : IP55
 Approximate weight : 73 lb
 Moment of inertia : 0.15947 sq.ft.lb
 Noise level : 51 dB(A)

	D.E.	N.D.E.
Bearings	6205 2RS	6204 2RS
Regreasing interval	---	---
Grease amount	---	---

Load	Power factor	Efficiency (%)
100%	0.80	86.5
75%	0.73	85.5
50%	0.60	84.0

Notes:
 Downloaded from <http://dealerselectric.com>
 Generated for Model #00218XT3E145TC

Performed by

Checked

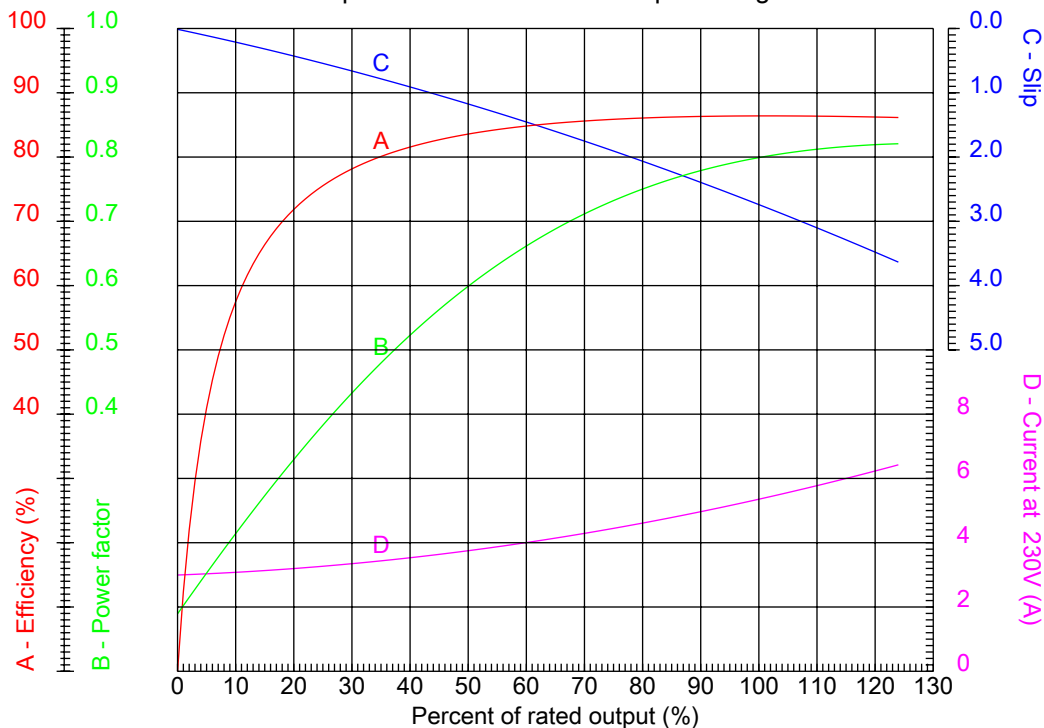


Dealers Industrial Equipment

No.:

Date: 12-SEP-2016

PERFORMANCE CURVES RELATED TO RATED OUTPUT Three-phase induction motor - Squirrel cage rotor



Customer :
 Product line : Three-Phase : Explosion Proof - NEMA Premium

Frame	: 145T	Locked rotor current (I _L /I _n)	: 7.9
Output	: 2 HP	Duty cycle	: S1
Frequency	: 60 Hz	Service factor	: 1.15
Full load speed	: 1750 rpm	Design	: B
Voltage	: 208-230/460 V	Locked rotor torque	: 250 %
Rated current	: 6.02-5.44/2.72 A	Breakdown torque	: 320 %
Insulation class	: F		

Notes:
 Downloaded from <http://dealerselectric.com>
 Generated for Model #00218XT3E145TC

Performed by

Checked



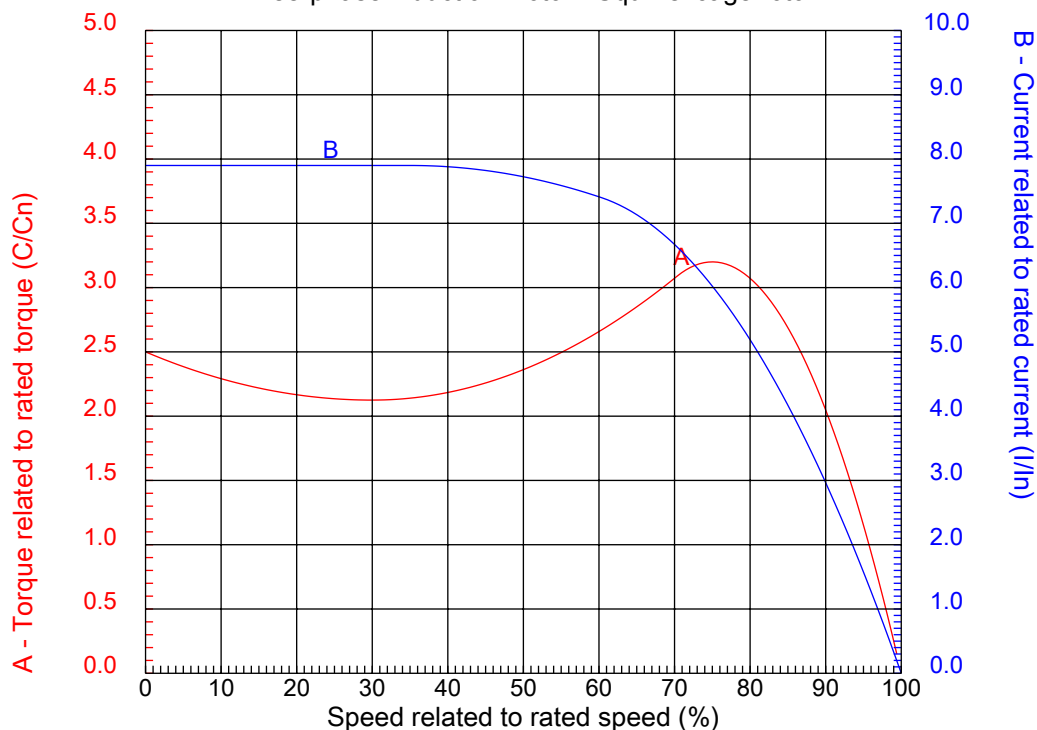
Dealers Industrial Equipment

No.:

Date: 12-SEP-2016

CHARACTERISTIC CURVES RELATED TO SPEED

Three-phase induction motor - Squirrel cage rotor



Customer :
Product line : Three-Phase : Explosion Proof - NEMA Premium

Frame	: 145T	Locked rotor current (I _l /I _n)	: 7.9
Output	: 2 HP	Duty cycle	: S1
Frequency	: 60 Hz	Service factor	: 1.15
Full load speed	: 1750 rpm	Design	: B
Voltage	: 208-230/460 V	Locked rotor torque	: 250 %
Rated current	: 6.02-5.44/2.72 A	Breakdown torque	: 320 %
Insulation class	: F		

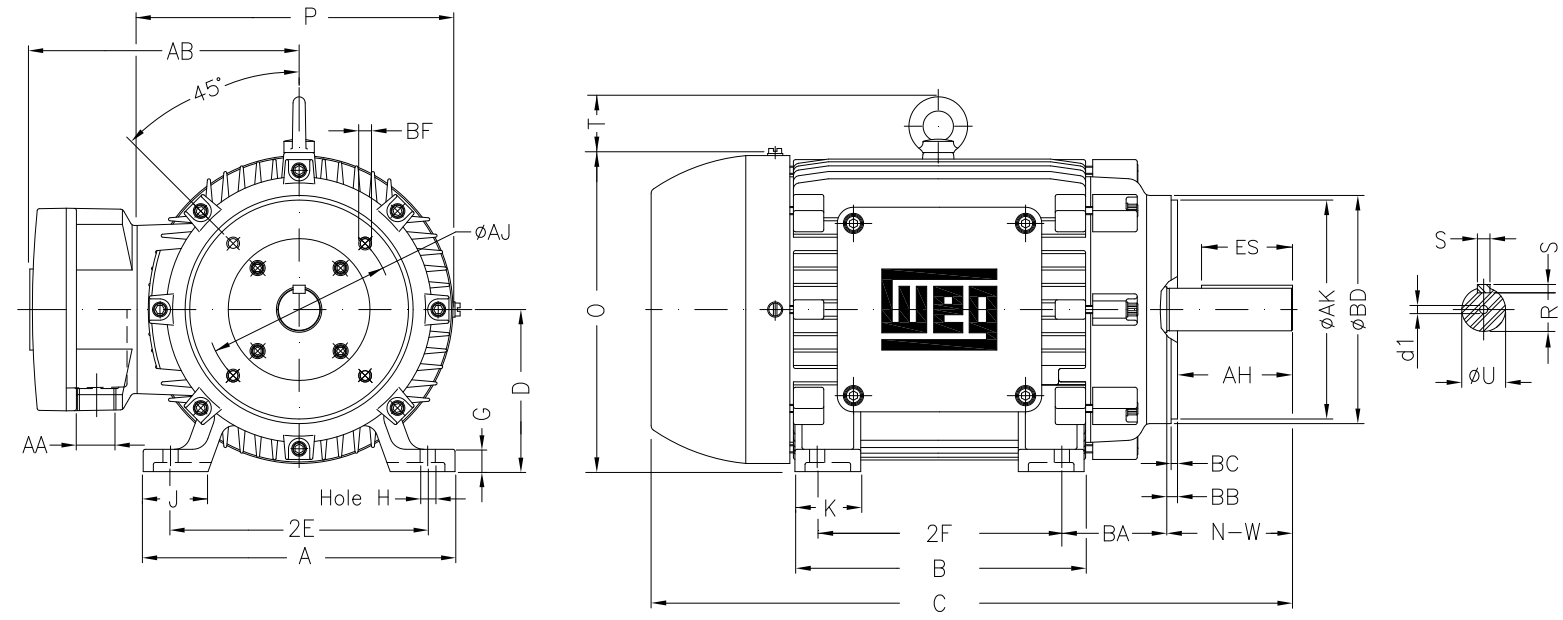
Notes:
Downloaded from <http://dealerselectric.com>
Generated for Model #00218XT3E145TC

Performed by

Checked

1 2 3 4 5 6 7 8

A
B
C
D
E
F



Notes: Downloaded from <http://dealerselectric.com>
Generated for Model #00218XT3E145TC

2E 5.500	A 6.457	2F 5.000	B 6.142	BA 2.250
J 1.496	K 1.654	P 7.000	ES 1.575	depth 0.187
S 0.187	N-W 2.250	U 0.875	R 0.771	AB 6.811
D 3.500	G 0.429	O 7.000	T 0.000	H 0.344
C 13.752	AA NPT 3/4"	d1 A 4	d2 A 4	Flange FC-149
AJ 5.875	AK 4.500	BD 6.500	BF UNC 3/8"x16	BB 0.156
BC 0.125	AH 2.125			

Performed by:	
Checked:	
Customer:	
Three-Phase : Explosion Proof - NEMA Premium	
Three-phase induction motor Frame 145T - IP55	12-SEP-2016



1 2 3 4 5 6 7 8

A

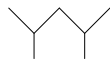
LOW VOLTAGE

HIGH VOLTAGE

B



C



D

E

F

Notes: Downloaded from <http://dealerselectric.com>
 Generated for Model #00218XT3E145TC

Performed by:

Checked:

Customer:

Three-Phase : Explosion Proof - NEMA Premium

Three-phase induction motor
 Frame 145T - IP55

12-SEP-2016

