



Dealers Industrial Equipment

No.:

Date: 12-SEP-2016

Customer :

TECHNICAL PROPOSAL

Three-phase induction motor - Squirrel cage rotor

Product line : Three Phase: W01 (Rolled Steel) - ODP - NEMA Premium Efficiency

Catalog Number : 00218OT3V145TC-S

List Price : \$526

Notes:

Downloaded from <http://dealerselectric.com>

Generated for Model #00218OT3V145TC-S

Performed by:

Checked:



Dealers Industrial Equipment

No.:

Date: 12-SEP-2016

DATA SHEET

Three-phase induction motor - Squirrel cage rotor

Customer :
 Product line : Three Phase: W01 (Rolled Steel) - ODP - NEMA Premium Efficiency

Frame : 143/5T
 Output : 2 HP
 Frequency : 60 Hz
 Poles : 4
 Full load speed : 1740 rpm
 Slip : 3.33 %
 Voltage : 200/400 V
 Rated current : 6.19/3.09 A
 Locked rotor current : 47.6/23.8 A
 Locked rotor current (I_L/I_n) : 7.7
 No-load current : 3.16/1.58 A
 Full load torque : 5.96 lb.ft
 Locked rotor torque : 260 %
 Breakdown torque : 320 %
 Design : B
 Insulation class : F
 Temperature rise : 80 K
 Locked rotor time : 17 s (hot)
 Service factor : 1.15
 Duty cycle : S1
 Ambient temperature : -20°C - +40°C
 Altitude : 1000 m
 Degree of Protection : ODP
 Approximate weight : 39 lb
 Moment of inertia : 0.11675 sq.ft.lb
 Noise level : 52 dB(A)

	D.E.	N.D.E.
Bearings	6205 ZZ	6203 ZZ
Regreasing interval	---	---
Grease amount	---	---

Load	Power factor	Efficiency (%)
100%	0.81	86.5
75%	0.74	86.5
50%	0.61	85.5

Notes:
 Downloaded from <http://dealerselectric.com>
 Generated for Model #00218OT3V145TC-S

Performed by

Checked



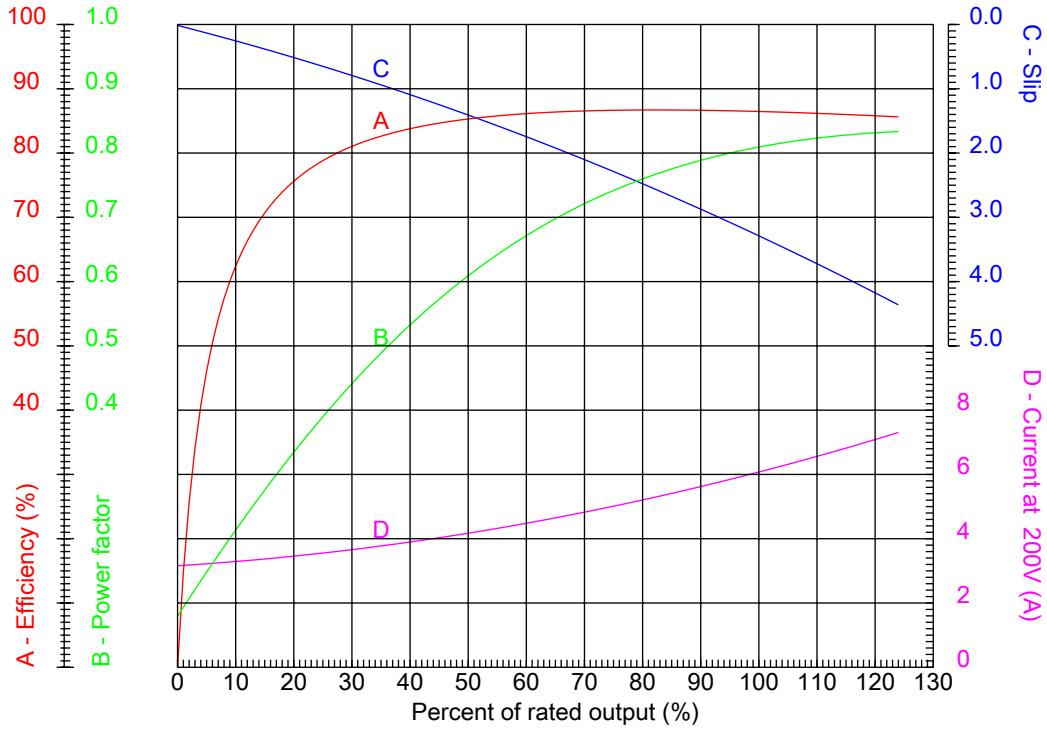
Dealers Industrial Equipment

No.:

Date: 12-SEP-2016

PERFORMANCE CURVES RELATED TO RATED OUTPUT

Three-phase induction motor - Squirrel cage rotor



Customer :
 Product line : Three Phase: W01 (Rolled Steel) - ODP - NEMA Premium Efficiency

Frame : 143/5T	Locked rotor current (I _l /I _n) : 7.7
Output : 2 HP	Duty cycle : S1
Frequency : 60 Hz	Service factor : 1.15
Full load speed : 1740 rpm	Design : B
Voltage : 200/400 V	Locked rotor torque : 260 %
Rated current : 6.19/3.09 A	Breakdown torque : 320 %
Insulation class : F	

Notes:
 Downloaded from <http://dealerselectric.com>
 Generated for Model #00218OT3V145TC-S

Performed by

Checked



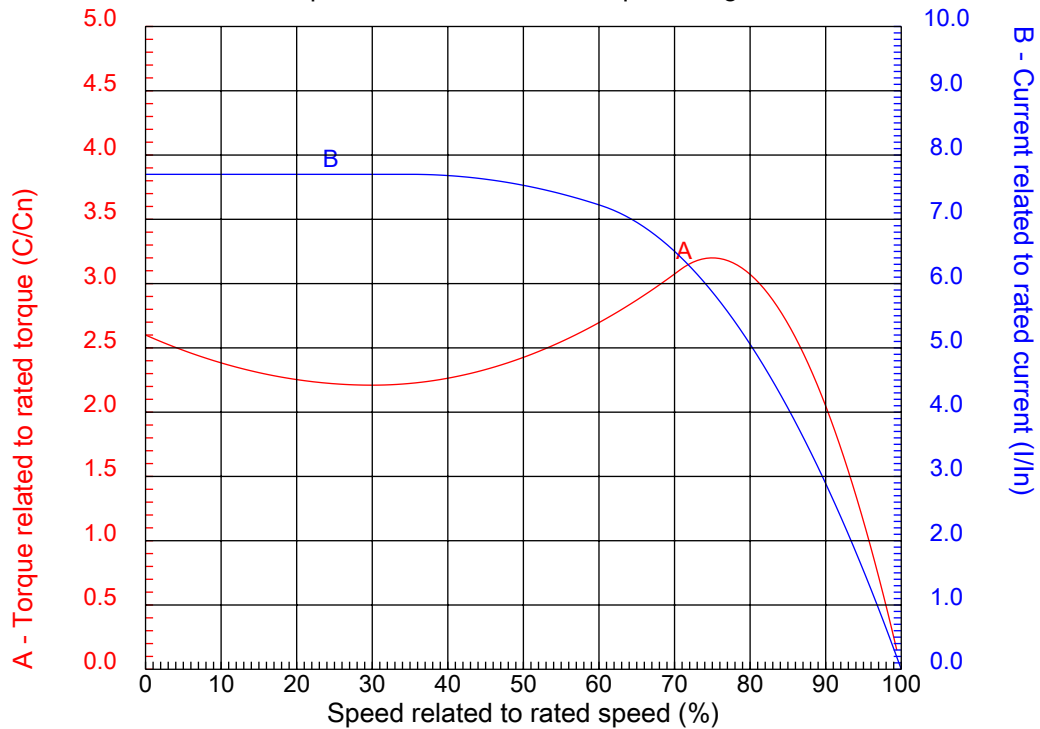
Dealers Industrial Equipment

No.:

Date: 12-SEP-2016

CHARACTERISTIC CURVES RELATED TO SPEED

Three-phase induction motor - Squirrel cage rotor



Customer :
Product line : Three Phase: W01 (Rolled Steel) - ODP - NEMA Premium Efficiency

Frame	: 143/5T	Locked rotor current (I _l /I _n)	: 7.7
Output	: 2 HP	Duty cycle	: S1
Frequency	: 60 Hz	Service factor	: 1.15
Full load speed	: 1740 rpm	Design	: B
Voltage	: 200/400 V	Locked rotor torque	: 260 %
Rated current	: 6.19/3.09 A	Breakdown torque	: 320 %
Insulation class	: F		

Notes:
Downloaded from <http://dealerselectric.com>
Generated for Model #00218OT3V145TC-S

Performed by

Checked

1 2 3 4 5 6 7 8

A

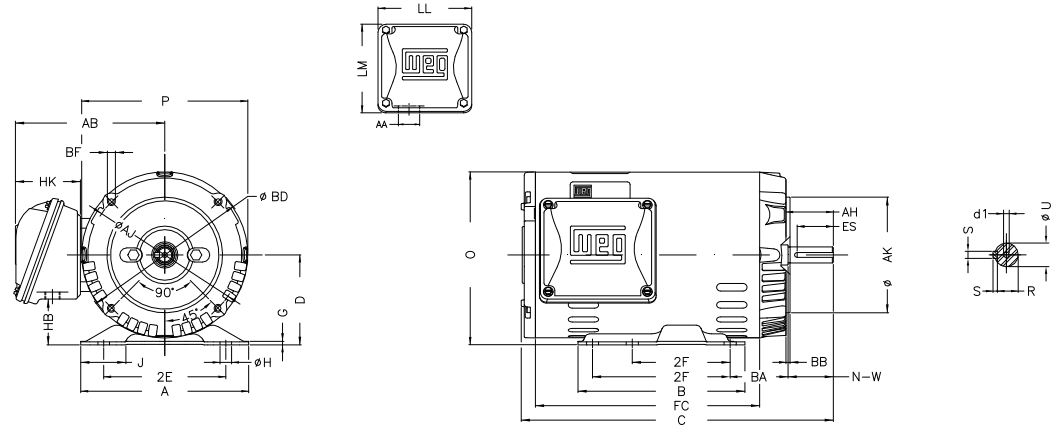
B

C

D

E

F



Notes: Downloaded from <http://dealerselectric.com>
Generated for Model #002180T3V145TC-S

P 6.456	AB 5.882	J 1.732	2E 5.500	A 6.535
H 0.343	G 0.120	HB 1.783	HK 2.638	T 0.004
O 6.724	FC 8.661	2F 4.000/5.000	B 6.496	C 12.362
BA 2.750	N-W 2.250	ES 1.417	d1 A 3.15	S 0.187
U 0.875	AA 1.118"	depth 0.187	R 0.771	LL 4.543
LM 4.106	D 3.500	CH 1.377	Flange FC-149	AJ 5.874
AK 4.500	BD 6.450	BF UNC 3/8"x16	BB 0.157	AH 2.132

Performed by:

Checked:

Customer:

Three Phase: W01 (Rolled Steel) - ODP - NEMA Premium Efficiency

Three-phase induction motor
Frame 143/5T - ODP

12-SEP-2016



1 2 3 4 5 6 7 8

A
B
C
D
E
F

LOW VOLTAGE

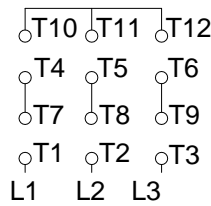
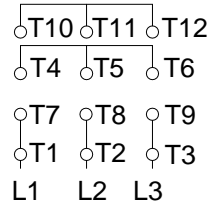
HIGH VOLTAGE



CONNECTIONS FOR STARTING ONLY:

LOW VOLTAGE

HIGH VOLTAGE



Notes: Downloaded from <http://dealerselectric.com>
Generated for Model #00218OT3V145TC-S

Performed by:

Checked:

Customer:

Three Phase: W01 (Rolled Steel) - ODP - NEMA Premium Efficiency

Three-phase induction motor
Frame 143/5T - IP21

12-SEP-2016

