



# Dealers Industrial Equipment

No.:

Date: 12-SEP-2016

Customer :

## TECHNICAL PROPOSAL

### Three-phase induction motor - Squirrel cage rotor

Product line : ODP – Open Induction Motors – NEMA Premium Efficiency

Catalog Number : 00218OT3E145T

List Price : \$492

#### Notes:

Downloaded from <http://dealerselectric.com>

Generated for Model #00218OT3E145T

Performed by:

Checked:



Dealers Industrial Equipment

No.:

Date: 12-SEP-2016

### DATA SHEET

#### Three-phase induction motor - Squirrel cage rotor

Customer :  
 Product line : ODP – Open Induction Motors – NEMA Premium Efficiency

Frame : E143/5T  
 Output : 2 HP  
 Frequency : 60 Hz  
 Poles : 4  
 Full load speed : 1730 rpm  
 Slip : 3.89 %  
 Voltage : 208-230/460 V  
 Rated current : 5.95-5.80/2.90 A  
 Locked rotor current : 47.6/23.8 A  
 Locked rotor current (I<sub>L</sub>/I<sub>n</sub>) : 8.2  
 No-load current : 3.20/1.60 A  
 Full load torque : 5.99 lb.ft  
 Locked rotor torque : 350 %  
 Breakdown torque : 330 %  
 Design : B  
 Insulation class : F  
 Temperature rise : 80 K  
 Locked rotor time : 15 s (hot)  
 Service factor : 1.15 (1.00 at 208V)  
 Duty cycle : S1  
 Ambient temperature : -20°C - +40°C  
 Altitude : 1000 m  
 Degree of Protection : IP21  
 Approximate weight : 44 lb  
 Moment of inertia : 0.15970 sq.ft.lb  
 Noise level : ---

	D.E.	N.D.E.
Bearings	6205 ZZ	6204 ZZ
Regreasing interval	---	---
Grease amount	---	---

Load	Power factor	Efficiency (%)
100%	0.78	86.5
75%	0.70	85.5
50%	0.58	82.5

Notes:  
 Downloaded from <http://dealerselectric.com>  
 Generated for Model #00218OT3E145T

Performed by

Checked



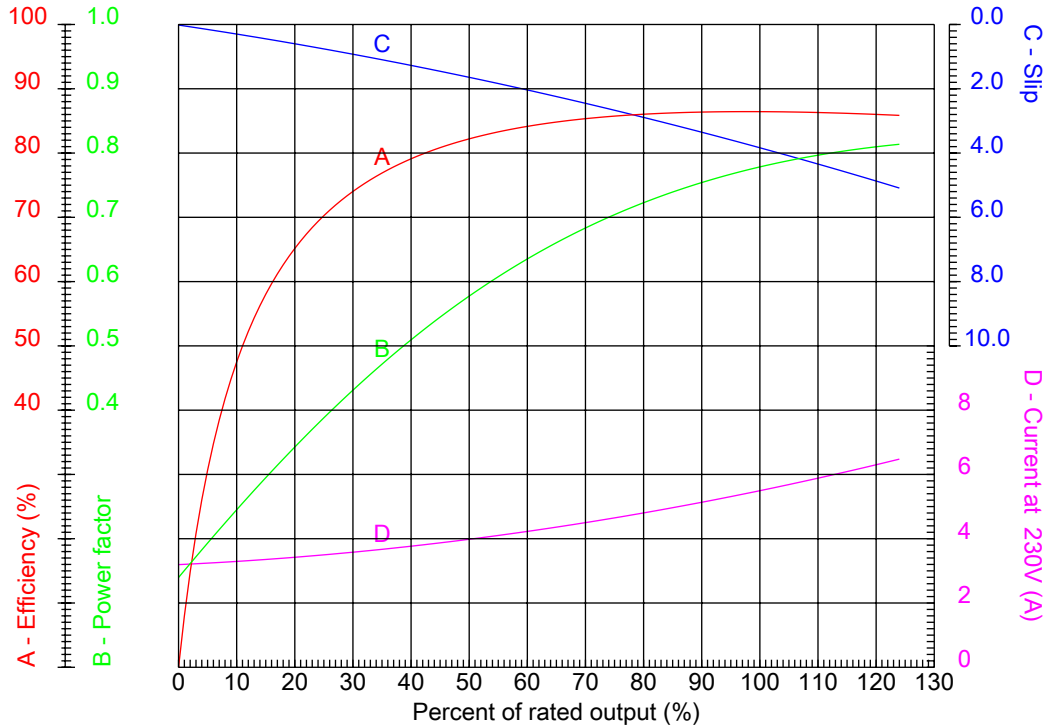
# Dealers Industrial Equipment

No.:

Date: 12-SEP-2016

## PERFORMANCE CURVES RELATED TO RATED OUTPUT

Three-phase induction motor - Squirrel cage rotor



Customer :  
 Product line : ODP – Open Induction Motors – NEMA Premium Efficiency

Frame	: E143/5T	Locked rotor current (I <sub>l</sub> /I <sub>n</sub> )	: 8.2
Output	: 2 HP	Duty cycle	: S1
Frequency	: 60 Hz	Service factor	: 1.15 (1.00 at 208V)
Full load speed	: 1730 rpm	Design	: B
Voltage	: 208-230/460 V	Locked rotor torque	: 350 %
Rated current	: 5.95-5.80/2.90 A	Breakdown torque	: 330 %
Insulation class	: F		

Notes:  
 Downloaded from <http://dealerselectric.com>  
 Generated for Model #00218OT3E145T

Performed by

Checked



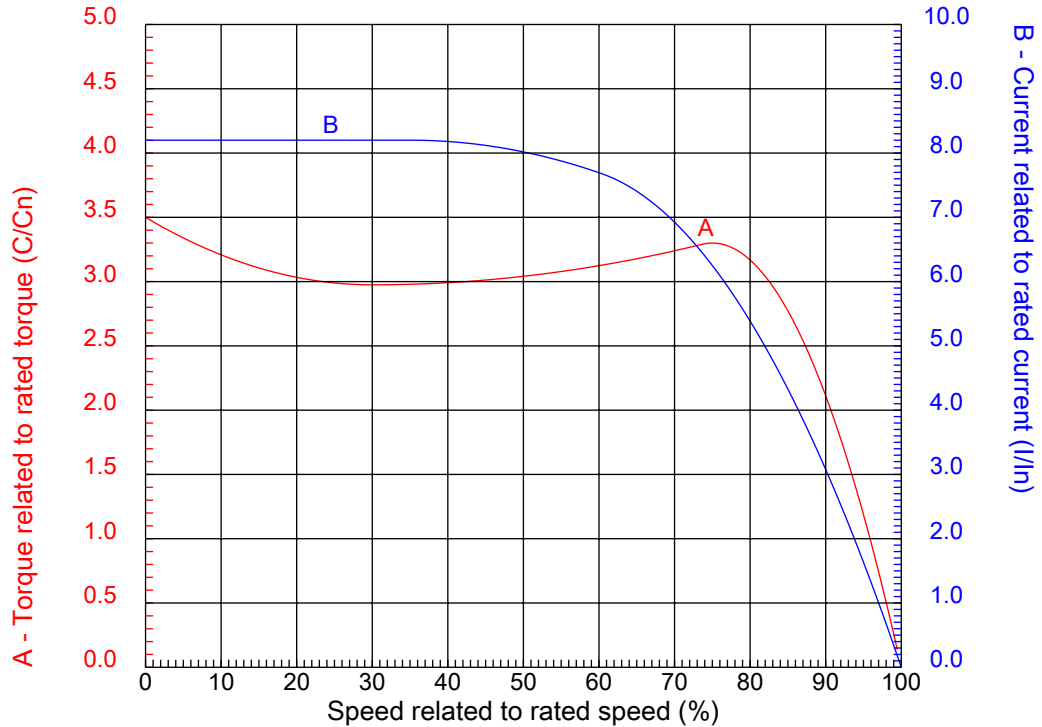
# Dealers Industrial Equipment

No.:

Date: 12-SEP-2016

## CHARACTERISTIC CURVES RELATED TO SPEED

Three-phase induction motor - Squirrel cage rotor



Customer :  
Product line : ODP – Open Induction Motors – NEMA Premium Efficiency

Frame	: E143/5T	Locked rotor current (I <sub>l</sub> /I <sub>n</sub> )	: 8.2
Output	: 2 HP	Duty cycle	: S1
Frequency	: 60 Hz	Service factor	: 1.15 (1.00 at 208V)
Full load speed	: 1730 rpm	Design	: B
Voltage	: 208-230/460 V	Locked rotor torque	: 350 %
Rated current	: 5.95-5.80/2.90 A	Breakdown torque	: 330 %
Insulation class	: F		

Notes:  
Downloaded from <http://dealerselectric.com>  
Generated for Model #00218OT3E145T

Performed by

Checked

1 2 3 4 5 6 7 8

A

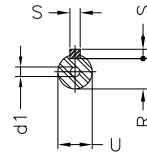
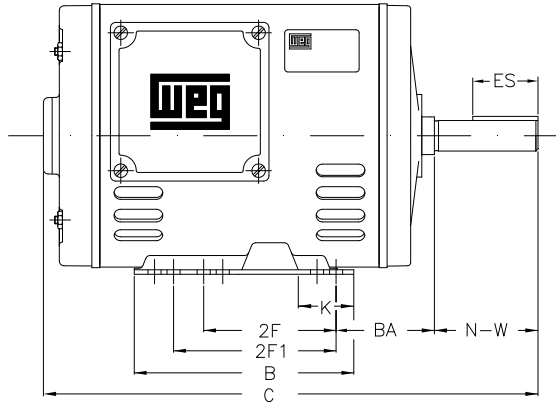
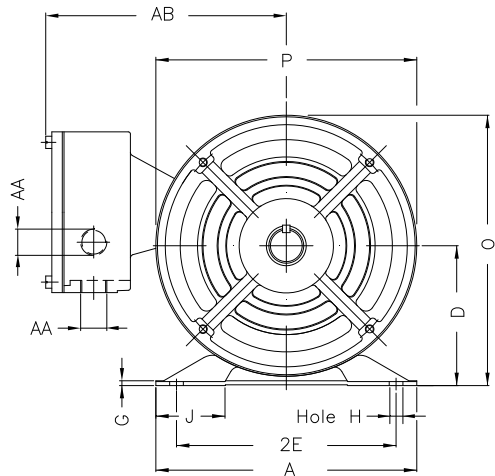
B

C

D

E

F



Notes: Downloaded from <http://dealerselectric.com>  
Generated for Model #002180T3E145T

Performed by:

Checked:

Customer:

ODP – Open Induction Motors – NEMA Premium Efficiency

2E 5.500	J 1.732	A 6.535	P 6.535	AB 5.433
2F 4.000/5.000	K 1.988	B 6.496	BA 2.250	U 0.8750
d1 A 3,15	N-W 2.250	ES 1.417	S 0.187	R 0.766
depth 0.187	D 3.500	G 0.120	O 6.772	H 0.342
C 12.047	AA 2xNPT 1/2"			

Three-phase induction motor  
Frame E143/5T - IP21

12-SEP-2016



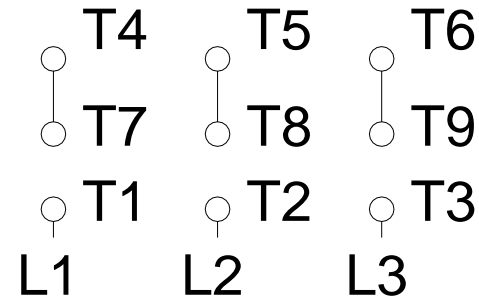
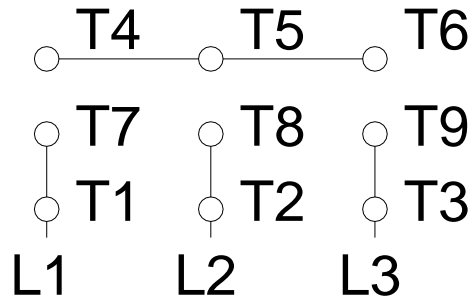
1 2 3 4 5 6 7 8

A

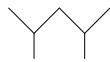
### LOW VOLTAGE

### HIGH VOLTAGE

B



C



D

E

F

Notes: Downloaded from <http://dealerselectric.com>  
 Generated for Model #00218OT3E145T

Performed by:

Checked:

Customer:

ODP – Open Induction Motors – NEMA Premium Efficiency

Three-phase induction motor  
 Frame E143/5T - IP21

12-SEP-2016

